



# SIGNALLING DEVICES

34 - 1º B  
INPRATEX SL

ASAFI  
34-1º B

INPRATEX



Polígono Industrial de Matsaria, 34 · 20600 Eibar (Guipúzcoa) · Spain

Phone: (+34) 943 530 095 | (+34) 943 530 482

[inpratex@inpratex.com](mailto:inpratex@inpratex.com)

[www.inpratex.com](http://www.inpratex.com)

# EXPLOSION PROOF PRODUCTS AND SOLUTIONS FOR HAZARDOUS AREAS.

## Equipment supply, Engineering and Manufacturing.

Inpratex provides a wide range of custom-made products and solutions for different industries operating in hazardous and potentially explosive environments.



Inpratex SL is based in Eibar (Gipuzkoa, Spain). We are specialists in supplying equipment, in engineering and in the manufacture of products for industries working in Hazardous Areas.

Our engineering team provides solutions combining the limitations related to the use of the equipment with the potentially dangerous environment in which it must be used.

Inpratex supplies ATEX/IECEx equipment and custom-made solutions for manufacturing and process industries.



A photograph of an industrial refinery or chemical plant. The scene is dominated by tall, silver distillation columns and a complex network of pipes, ladders, and structural steel. The sky is filled with large, white, fluffy clouds. A diagonal grey bar runs from the top left towards the center, partially overlapping the text. The overall color palette is industrial, with greys, silvers, and blues.

3

# SIGNALLING DEVICES



Visual and acoustic signaling equipment certified for installation in ATEX environments.

Heavy-duty, rugged signal beacons ideal for use in oil refineries, off-shore platforms, chemical, petrochemical and marine industries, always with the required degree of safety for each hazardous area.

Inpratex also provides sirens and high-volume loudspeakers made from highly resistant materials.

The full range includes combined visual and acoustic equipment.

<b>3.1 - OPTICAL SIGNALLING</b>	<b>6</b>
<b>3.2 - ACOUSTIC SIGNALLING</b>	<b>24</b>
<b>3.3 - OPTICAL &amp; ACOUSTIC SIGNALLING</b>	<b>40</b>

A photograph of an industrial facility, likely a refinery or chemical plant, featuring several tall, cylindrical chimneys and a complex network of pipes and scaffolding. The sky is blue with scattered white clouds. A semi-transparent grey diagonal shape is overlaid on the top right corner of the image.

**3.1**

**OPTICAL  
SIGNALLING**

# BC 150 LED BEACON / LIGHT - GRP

Zones 1, 2, 21, 22

Full catalogue available on our website: [www.inpratex.com](http://www.inpratex.com)

## ATEX VISUAL SIGNALLING DEVICES ZONES 1, 2 (gas) & 21, 22 (dust)



This beacon is certified for use in ATEX/Explosive Atmosphere, zone 1 & 2 for gas and zone 21 & 22 for dust. It is dedicated for Oil & Gas, chemical, petrochemical, pharmacy industries, marine and offshore applications.

It's designed for corrosive environments and hazardous area. The BC150 can also be used as status light.

Housing is moulded Glass-Reinforced Polyester (GRP), dyed in the mass and protected by an UV resistant paint, the lens is made of borosilicate glass.

Four flashing frequencies are selectable.

Optionally it is possible to control the beacon via a telephone line.



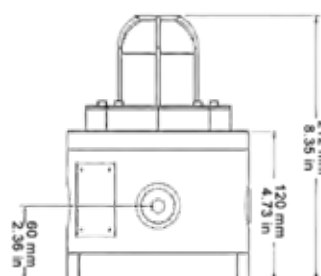
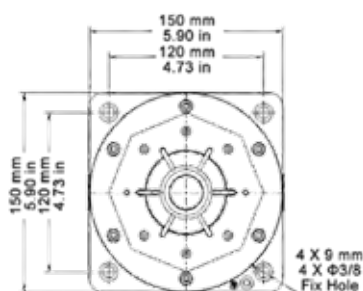
EU-Type Examination Certificate

### ITEM REFERENCES

Designation:	Power consumption:	Item No.:
BC 150 12-48 VDC LED 10W Red	12VDC-1100mA / 24VDC-530mA / 48VDC-240 mA	2A1801
BC 150 12-48 VDC LED 10W Amber	12VDC-1100mA / 24VDC-530mA / 48VDC-240 mA	2A1802
BC 150 12-48 VDC LED 10W Blue	12VDC-1100mA / 24VDC-530mA / 48VDC-240 mA	2A1803
BC 150 12-48 VDC LED 10W Green	12VDC-1100mA / 24VDC-530mA / 48VDC-240 mA	2A1804
BC 150 12-48 VDC LED 10W White	12VDC-1100mA / 24VDC-530mA / 48VDC-240 mA	2A1805
BC 150 100-240 VAC LED 10W Red	110VAC-160mA / 220VAC-80mA	2A1806
BC 150 100-240 VAC LED 10W Amber	110VAC-160mA / 220VAC-80mA	2A1807
BC 150 100-240 VAC LED 10W Blue	110VAC-160mA / 220VAC-80mA	2A1808
BC 150 100-240 VAC LED 10W Green	110VAC-160mA / 220VAC-80mA	2A1809
BC 150 100-240 VAC LED 10W White	110VAC-160mA / 220VAC-80mA	2A1810

### TECHNICAL SPECIFICATIONS

Marking:	II 2G Ex d IIC T4-T6 Gb II 2D Ex tb IIIC T135°C, T85° IP66
Certificate:	EU-Type Examination Certificate
Operating mode:	Steady / Rotary / Fixed / Blinking
Housing:	Moulded Glass-Reinforced Polyester (GRP). Lens is made of borosilicate glass.
Enclosure colour:	Standard: Red (RAL 3001) On request: Black (RAL 9004)   Yellow (RAL 1018)   Blue (RAL 5005)
Power:	10W
Light intensity:	312 Cd
Weight:	3,8 kg
Operating temperature:	-40°C to +55°C (T6) / -40°C to +60°C (T5) / -40°C to +70°C (T4)
Ingress protection:	IP66/67
Cable entries:	4xM20x1,5 holes



# BC 125 LED BEACON / LIGHT - STAINLESS STEEL

Zones 1, 2, 21, 22

Full catalogue available on our website: [www.inpratex.com](http://www.inpratex.com)

3



SIGNALLING

## ATEX VISUAL SIGNALLING DEVICES

ZONES 1, 2 (gas) & 21, 22 (dust)



BC 125 Ex Beacon – Status Light. This beacon is certified for use in explosive atmosphere, zones 1 & 2 for gas and zones 21 & 22 for dust. It is dedicated for Oil & Gas, chemical, petrochemical, pharmacy industries, marine and offshore applications.

It's designed for corrosive environments and hazardous area. The BC125 can also be used as status light.

Optionally it is possible to control the beacon via a telephone line.

Housing in stainless steel 316L covered with UV resistant paint, the lens in borosilicate glass.



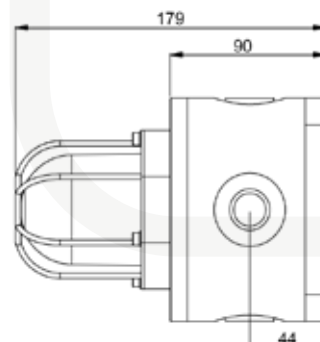
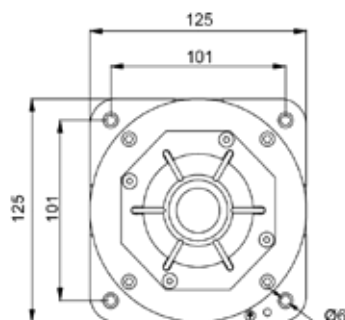
EU-Type Examination Certificate

### ITEM REFERENCES

Designation:	Power consumption:	Item No.:
BC 125 12-48 VDC LED 10W Red	12VDC-1100mA / 24VDC-530mA / 48VDC-240 mA	2A2101
BC 125 12-48 VDC LED 10W Amber	12VDC-1100mA / 24VDC-530mA / 48VDC-240 mA	2A2102
BC 125 12-48 VDC LED 10W Blue	12VDC-1100mA / 24VDC-530mA / 48VDC-240 mA	2A2103
BC 125 12-48 VDC LED 10W Green	12VDC-1100mA / 24VDC-530mA / 48VDC-240 mA	2A2104
BC 125 12-48 VDC LED 10W White	12VDC-1100mA / 24VDC-530mA / 48VDC-240 mA	2A2105
BC 125 100-240 VAC LED 10W Red	110VAC-160mA / 220VAC-80mA	2A2106
BC 125 100-240 VAC LED 10W Amber	110VAC-160mA / 220VAC-80mA	2A2107
BC 125 100-240 VAC LED 10W Blue	110VAC-160mA / 220VAC-80mA	2A2108
BC 125 100-240 VAC LED 10W Green	110VAC-160mA / 220VAC-80mA	2A2109
BC 125 100-240 VAC LED 10W White	110VAC-160mA / 220VAC-80mA	2A2110

### TECHNICAL SPECIFICATIONS

Marking:	II 2G Ex d IIC T4-T6 Gb II 2D Ex tb IIIC T135°C, T85° IP66
Certificate:	EU-Type Examination Certificate
Operating mode:	Steady / Rotary / Fixed / Blinking
Housing:	Stainless Steel AISI 316L. Lens made of borosilicate glass.
Enclosure colour:	Standard: Red (RAL 3001) On request: Black (RAL 9004)   Yellow (RAL 1018)   Blue (RAL 5005)
Power:	10W
Light intensity:	312 Cd
Weight:	4,5 kg
Operating temperature:	-40°C to +55°C (T6) / -40°C to +60°C (T5) / -40°C to +70°C (T4)
Ingress protection:	IP66/67
Cable entries:	4xM20x1,5 holes





# EVC 50/F OPTICAL SIGNALLERS

Zones 1, 2, 21, 22

Full catalogue available on our website: [www.inpratex.com](http://www.inpratex.com)

## ATEX VISUAL SIGNALLING DEVICES ZONES 1, 2 (gas) & 21, 22 (dust)



Explosion proof optical signallers suitable for hazardous area Zone 1 & Zone 21. EVC 50/F optical signallers are normally associated to alarm and signalling systems, either fixed or mobile.

They have reduced dimensions, they are completed with blinking Xenon flash lamp.





EU-Type Examination Certificate

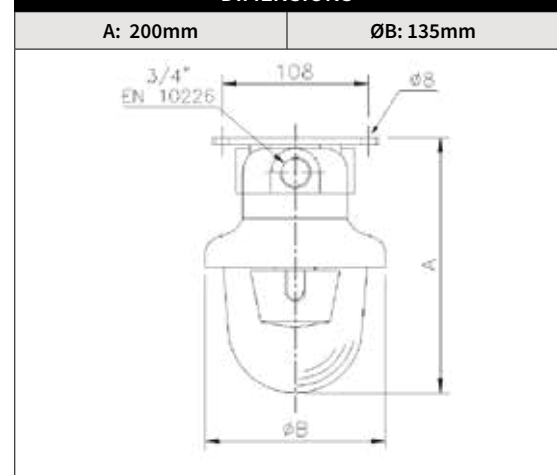
### ITEM REFERENCES

Designation:	Color:	Voltage/Frequency:	Current:	Power:	Blinking:	Item No.:
EVC 50/F LB 12/24	Light Blue	12/24 VAC/DC ---	90...130 mA	1...3 W	75 cycles/min	2A2501
EVC 50/F W 12/24	White					2A2502
EVC 50/F Y 12/24	Yellow					2A2503
EVC 50/F O 12/24	Orange					2A2504
EVC 50/F R 12/24	Red					2A2505
EVC 50/F G 12/24	Green					2A2506
EVC 50/F LB 110	Light Blue	110 VAC 50/60 Hz	15 mA	1,8 W	110 cycles/min	2A2507
EVC 50/F W 110	White					2A2508
EVC 50/F Y 110	Yellow					2A2509
EVC 50/F O 110	Orange					2A2510
EVC 50/F R 110	Red					2A2511
EVC 50/F G 110	Green					2A2512
EVC 50/F LB 230	Light Blue	230 V 50/60 Hz	10 mA	2,5 W	110 cycles/min	2A2513
EVC 50/F W 230	White					2A2514
EVC 50/F Y 230	Yellow					2A2515
EVC 50/F O 230	Orange					2A2516
EVC 50/F R 230	Red					2A2517
EVC 50/F G 230	Green					2A2518

### TECHNICAL SPECIFICATIONS

Marking:	 II 2G Ex db IIC T6 Gb  II 2D Ex tb IIIC T85°C Db
Certificate:	EU-Type Examination Certificate
Operating mode:	Blinking
Operating temperature:	-20°C to +40°C
Ingress protection:	IP65
Housing:	Aluminium light alloy (RAL 7000) Tempered borosilicate globe
Connection:	E27
Thermal emission:	6 J
Weight:	1,5 kg
Cable entries:	2x3/4" NPT (cable glands/plugs not included)

### DIMENSIONS



# EXPLOSION-PROOF STROBE LIGHT DSLB 20

Zones 1, 2, 21, 22

Full catalogue available on our website: [www.inpratex.com](http://www.inpratex.com)

## ATEX VISUAL SIGNALLING DEVICES ZONES 1, 2 (gas) & 21, 22 (dust)



Optical signalling is often required for warning or notifying purposes in potentially explosive areas. The Strobe Light dSLB20 provides suitable signalling for these purposes.

It is designed for continuous operation and available for different operating voltages.

The dSLB20 is activated by connecting the power supply. The sturdy housing of ingress protection IP 66/67 is suitable for both indoor and outdoor applications.

The Ex II strobe light has a small flameproof aluminium housing containing the electronics. The cap is made of hardened borosilicate glass.

The terminal compartment is of protection type "increased safety".

A signalling combination can be established using the provided stainless steel mounting plate with integrated junction box.



EU-Type Examination Certificate

### ITEM REFERENCES



Designation:	Voltage:	Operating range:	Flash energy:	Current consumption:	Item No.:
dSLB 20 15 24 TRANSPARENT	24 VDC	21-53 VDC	15 J	1 A	2A0101A
dSLB 20 15 24 RED	24 VDC	21-53 VDC	15 J	1 A	2A0101B
dSLB 20 15 24 AMBER	24 VDC	21-53 VDC	15 J	1 A	2A0101C
dSLB 20 15 24 GREEN	24 VDC	21-53 VDC	15 J	1 A	2A0101D
dSLB 20 15 24 BLUE	24 VDC	21-53 VDC	15 J	1 A	2A0101E
dSLB 20 15 230 TRANSPARENT	230 VAC	207-253 VAC	15 J	200 mA	2A0103A
dSLB 20 15 230 RED	230 VAC	207-253 VAC	15 J	200 mA	2A0103B
dSLB 20 15 230 AMBER	230 VAC	207-253 VAC	15 J	200 mA	2A0103C
dSLB 20 15 230 GREEN	230 VAC	207-253 VAC	15 J	200 mA	2A0103D
dSLB 20 15 230 BLUE	230 VAC	207-253 VAC	15 J	200 mA	2A0103E
dSLB 20 5 12 TRANSPARENT	12 VDC	10-14 VDC	5 J	600 mA	2A0104A
dSLB 20 5 12 RED	12 VDC	10-14 VDC	5 J	600 mA	2A0104B
dSLB 20 5 12 AMBER	12 VDC	10-14 VDC	5 J	600 mA	2A0104C
dSLB 20 5 12 GREEN	12 VDC	10-14 VDC	5 J	600 mA	2A0104D
dSLB 20 5 12 BLUE	12 VDC	10-14 VDC	5 J	600 mA	2A0104E
dSLB 20 5 24 TRANSPARENT	24 VDC	21-53 VDC	5 J	280 mA	2A0105A
dSLB 20 5 24 RED	24 VDC	21-53 VDC	5 J	280 mA	2A0105B
dSLB 20 5 24 AMBER	24 VDC	21-53 VDC	5 J	280 mA	2A0105C
dSLB 20 5 24 GREEN	24 VDC	21-53 VDC	5 J	280 mA	2A0105D
dSLB 20 5 24 BLUE	24 VDC	21-53 VDC	5 J	280 mA	2A0105E
dSLB 20 5 230 TRANSPARENT	230 VAC	207-253 VAC	5 J	130 mA	2A0108A
dSLB 20 5 230 RED	230 VAC	207-253 VAC	5 J	130 mA	2A0108B
dSLB 20 5 230 AMBER	230 VAC	207-253 VAC	5 J	130 mA	2A0108C
dSLB 20 5 230 GREEN	230 VAC	207-253 VAC	5 J	130 mA	2A0108D
dSLB 20 5 230 BLUE	230 VAC	207-253 VAC	5 J	130 mA	2A0108E

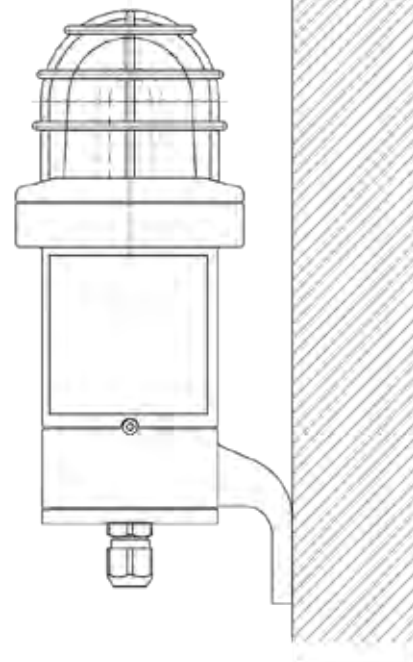
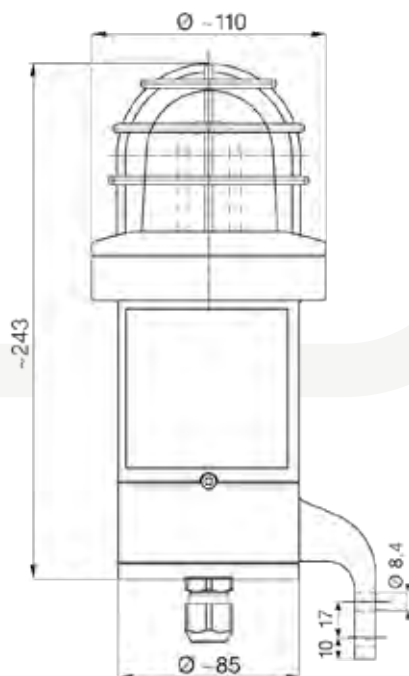
# EXPLOSION-PROOF STROBE LIGHT DSLB 20

Zones 1, 2, 21, 22

Full catalogue available on our website: [www.inpratex.com](http://www.inpratex.com)

## TECHNICAL SPECIFICATIONS

Marking:	 II 2G Ex d e IIC T5, T6 Gb  II 2D Ex tb IIIC T95°C, T80°C Db
Certificate:	EU-Type Examination Certificate
Operating conditions:	Indoor / Outdoor
Operating mode:	Continuous operation
Operating position:	Any
Housing:	Aluminium, surface varnished or powder-coated. Colour: Yellow / Blue
Cap:	Borosilicate glass dome with stainless steel protection cage
Cap colour:	Red, amber, green and blue
Lamp:	Xenon
Flash energy:	5 J / 15 J
Flash frequency:	Approx. 60/min (1 Hz)
Average life cycle	Approx. 5x10 <sup>6</sup> flashes
Weight:	Approx. 2 kg
Operating temperature:	-55°C to +40°C (T6)   -55°C to +55°C (T5)
Ingress protection:	IP66/67
Connection terminals:	Terminal capacity: 2,5 mm <sup>2</sup> single-wire   1,5 mm <sup>2</sup> fine-wire Protective earth – Screw connection with wire protection clamp in connection enclosure max. 2.5 mm <sup>2</sup> Equipotential – Screw connection with wire bonding conductor protection clamp outside, cross section max. 4 mm
Cable entries:	1xM20x1,5 plastic cable gland   1xM20x1,5 plug



3



SIGNALLING

# EXPLOSION-PROOF STROBE LIGHT DSLB20 LED

Zones 1, 2, 21, 22

Full catalogue available on our website: [www.inpratex.com](http://www.inpratex.com)

## ATEX VISUAL SIGNALLING DEVICES

## ZONES 1, 2 (gas) & 21, 22 (dust)

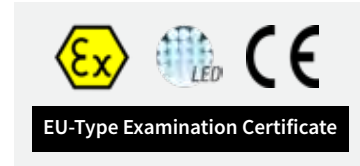


Optical signalling is often required for warning or notifying purposes in potentially explosive areas. The Strobe Light dSLB 20 LED provides suitable signalling for these purposes. It is designed for continuous operation and available for different operating voltages.

The dSLB 20 LED is activated by connecting the power supply. The sturdy housing of ingress protection IP66/67 is suitable for both indoor and outdoor applications.

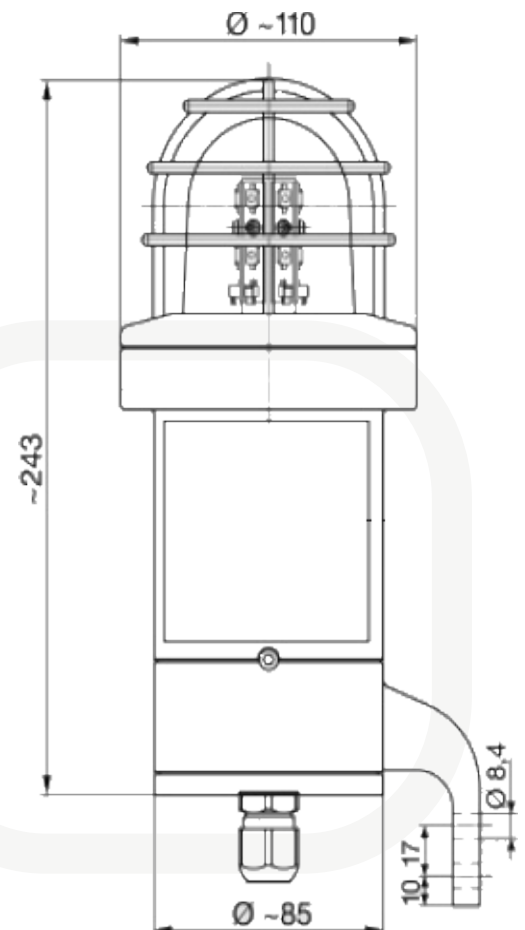
The Ex II strobe light has a small flameproof aluminium housing containing the electronics. The cap is made of hardened borosilicate glass. The terminal compartment is of protection type "increased safety".

A signalling combination can be established using the provided stainless steel mounting plate with integrated junction box.



ITEM REFERENCES		
Designation:	Operating range:	Item No.:
dSLB 20 LED 24 TRANSPARENT	24 VDC	2A0202A
dSLB 20 LED 24 RED	24 VDC	2A0202B
dSLB 20 LED 24 AMBER	24 VDC	2A0202C
dSLB 20 LED 24 GREEN	24 VDC	2A0202D
dSLB 20 LED 24 BLUE	24 VDC	2A0202E
dSLB 20 LED 220 TRANSPARENT	80...265 VAC	2A0204A
dSLB 20 LED 220 RED	80...265 VAC	2A0204B
dSLB 20 LED 220 AMBER	80...265 VAC	2A0204C
dSLB 20 LED 220 GREEN	80...265 VAC	2A0204D
dSLB 20 LED 220 BLUE	80...265 VAC	2A0204E

TECHNICAL SPECIFICATIONS	
Marking:	II 2G Ex de IIC T5, T6 Gb II 2D Ex tb IIIC T95°C, T80° Db
Certificate:	EU-Type Examination Certificate
Operating conditions:	Indoor / Outdoor
Housing:	Aluminium, surface varnished or powder-coated. Borosilicate glass dome
Protection cage:	Stainless steel
Cap colour:	Transparent, Red, Amber, Green, Blue
Weight:	Approx. 2 kg
Operating temperature:	-40°C to +40°C
Ingress protection:	IP66/67
Cable entries:	1xM20x1,5 plastic cable gland



# SL 150 COMBINED STATUS LIGHTS - GRP

Zones 1, 2, 21, 22

Full catalogue available on our website: [www.inpratex.com](http://www.inpratex.com)

## ATEX VISUAL SIGNALLING DEVICES ZONES 1, 2 (gas) & 21, 22 (dust)



SL 150 combined status lights in GRP. This signalling device is certified for use in ATEX zones 1,2 for gas and 21,22 for dust.

Suitable for Oil & Gas, chemical, petrochemical, pharmacy industries, marine and offshore applications.

It's designed for corrosive environments and hazardous areas.

Possibility to pilot all, or separately the beacons via a telephone line.



EU-Type Examination Certificate

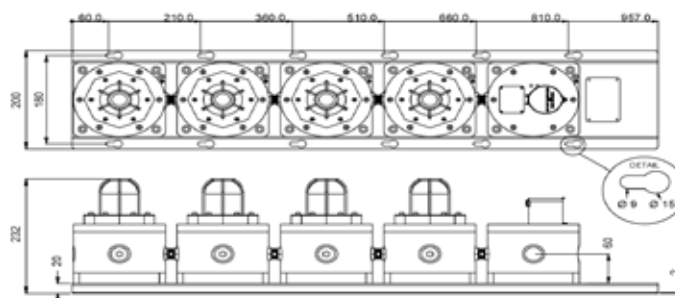
### ITEM REFERENCES

Designation:	Power consumption:	Weight:	Item No.:
SL-150-A20 24V - 2 beacons	12 - 48V DC	8,9 kg	2A1901
SL-150-A20 220V - 2 beacons	100 - 240V AC	8,9 kg	2A1902
SL-150-B3J 24V - 2 beacons + junction box	12 - 48V DC	13,1 kg	2A1903
SL-150-B3J 220V - 2 beacons + junction box	100 - 240V AC	13,1 kg	2A1904
SL-150-B30 24V - 3 beacons	12 - 48V DC	13,1 kg	2A1905
SL-150-B30 220V - 3 beacons	100 - 240V AC	13,1 kg	2A1906
SL-150-C4J 24V - 3 beacons + junction box	12 - 48V DC	17,4 kg	2A1907
SL-150-C4J 220V - 3 beacons + junction box	100 - 240V AC	17,4 kg	2A1908
SL-150-C40 24V - 4 beacons	12 - 48V DC	17,4 kg	2A1909
SL-150-C40 220V - 4 beacons	100 - 240V AC	17,4 kg	2A1910
SL-150-D5J 24V - 4 beacons + junction box	12 - 48V DC	21,6 kg	2A1911
SL-150-D5J 220V - 4 beacons + junction box	100 - 240V AC	21,6 kg	2A1912

Lens colour: Red, Amber, Blue, Green, Clear

### TECHNICAL SPECIFICATIONS

Marking:	II 2G Ex d IIC T4...T6 Gb II 2D Ex tb IIIC T135°C...T85°C
Certificate:	EU-Type Examination Certificate
Operating mode:	Steady, rotary, fixed or blinking
Housing:	ENCLOSURE: Glass Reinforced Polyester. LENS: Tempered borosilicate glass 3.3. FRAME: Stainless Steel 316L
Housing colour:	Black (RAL 9004)   Red (RAL 3001)   Yellow (RAL 1018)   Blue (RAL 5005)
Power:	LED 10W
Light intensity:	312 Cd
Operating temperature:	-40°C to +70°C
Ingress protection:	IP66/67
Cable entries:	3xM20x1,5 holes



# SL 125 COMBINED STATUS LIGHTS - STAINLESS STEEL

Zones 1, 2, 21, 22

Full catalogue available on our website: [www.inpratex.com](http://www.inpratex.com)

## ATEX VISUAL SIGNALLING DEVICES

ZONES 1, 2 (gas) & 21, 22 (dust)



SL-125 combined status lights in stainless steel. This signalling device is certified for use in ATEX zones 1,2 for gas and 21,22 for dust.

Suitable for Oil & Gas, chemical, petrochemical, pharmacy industries, marine and offshore applications.

Possibility to pilot all, or separately the beacons via a telephone line.



EU-Type Examination Certificate

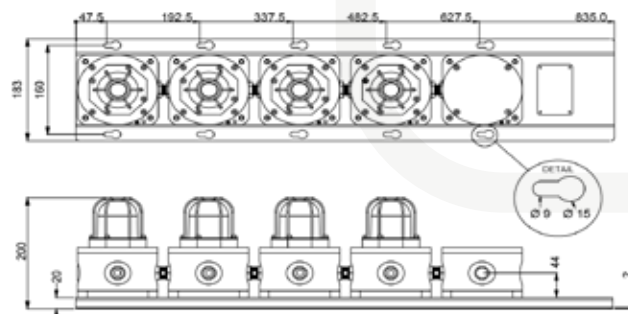
### ITEM REFERENCES

Designation:	Power consumption:	Weight:	Item No.:
SL-125-A20 24V - 2 beacons	12 - 48V DC	10,2 kg	2A2201
SL-125-A20 220V - 2 beacons	100 - 240V AC	10,2 kg	2A2202
SL-125-B3J 24V - 2 beacons + junction box	12 - 48V DC	15 kg	2A2203
SL-125-B3J 220V - 2 beacons + junction box	100 - 240V AC	15 kg	2A2204
SL-125-B30 24V - 3 beacons	12 - 48V DC	15 kg	2A2205
SL-125-B30 220V - 3 beacons	100 - 240V AC	15 kg	2A2206
SL-125-C4J 24V - 3 beacons + junction box	12 - 48V DC	20 kg	2A2207
SL-125-C4J 220V - 3 beacons + junction box	100 - 240V AC	20 kg	2A2208
SL-125-C40 24V - 4 beacons	12 - 48V DC	20 kg	2A2209
SL-125-C40 220V - 4 beacons	100 - 240V AC	20 kg	2A2210
SL-125-D5J 24V - 4 beacons + junction box	12 - 48V DC	24,5 kg	2A2211
SL-125-D5J 220V - 4 beacons + junction box	100 - 240V AC	24,5 kg	2A2212

Lens colour: Red, Amber, Blue, Green, Clear

### TECHNICAL SPECIFICATIONS

Marking:	II 2G Ex d IIC T4...T6 Gb II 2D Ex tb IIIC T135°C...T85°C
Certificate:	EU-Type Examination Certificate
Operating mode:	Steady, rotary, fixed or blinking
Housing:	ENCLOSURE & FRAME: Stainless Steel 316. LENS: Tempered borosilicate glass 3.3
Housing colour:	Black (RAL 9004)   Red (RAL 3001)   Yellow (RAL 1018)   Blue (RAL 5005)
Power:	LED 10W
Light intensity:	312 Cd
Operating temperature:	-40°C to +70°C
Ingress protection:	IP66/67
Cable entries:	3xM20x1,5 holes



# EXPERTLINE LED SIGNAL LAMP

Zones 1, 2, 21, 22

Full catalogue available on our website: [www.inpratex.com](http://www.inpratex.com)

## ATEX VISUAL SIGNALLING DEVICES

ZONES 1, 2 (gas) & 21, 22 (dust)



Robust, flameproof optical signalling LED technology device of Device Group II and III for use in explosive atmospheres, zones 1 and 2 or zones 21 and 22.

The available operating modes are Continuous light, Strobe light, Blinking light and Rotating light, and turning on the supply voltage activates the device.





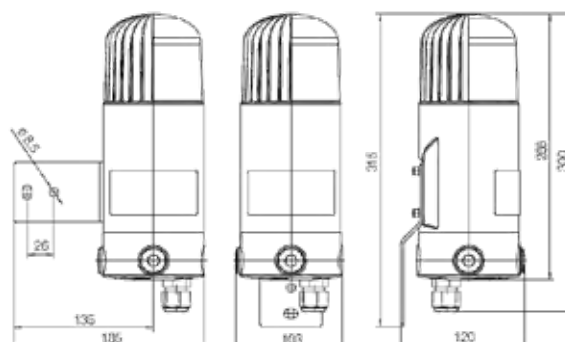
EU-Type Examination Certificate

### ITEM REFERENCES

Designation:	Power consumption:	Item No.:
Expertline LED, 24VDC, White	1280 mA	2A1701
Expertline LED, 24VDC, Red	850 mA	2A1702
Expertline LED, 24VDC, Yellow	900 mA	2A1703
Expertline LED, 24VDC, Green	1200 mA	2A1704
Expertline LED, 24VDC, Blue	1250 mA	2A1705
Expertline LED, 230VAC, White	55 mA	2A1706
Expertline LED, 230VAC, Red	47 mA	2A1707
Expertline LED, 230VAC, Yellow	47 mA	2A1708
Expertline LED, 230VAC, Green	55 mA	2A1709
Expertline LED, 230VAC, Blue	55 mA	2A1710

### TECHNICAL SPECIFICATIONS

Marking:	 II 2G Ex e mb [ib] IIC T4  II 2D Ex mbD tD A21 IP66 T130°C
Certificate:	EU-Type Examination Certificate
Operating conditions:	Indoor / Outdoor
Housing:	Polycarbonate with stainless steel wall bracket
Ingress protection:	IP66
Weight:	Approx. 2,5 kg
Operating temperature:	-20°C to +65°C / 24VDC -20°C to +60°C / 230 VAC
Cable entries:	1xM20x1.5   2x blind plugs M20x1.5



# OL-LPA OBSTRUCTION LIGHTING FIXTURE

Zones 1, 2

Full catalogue available on our website: [www.inpratex.com](http://www.inpratex.com)

## ATEX VISUAL SIGNALLING DEVICES ZONES 1, 2 (gas)



The OL-LPA series of lighting fixtures are used to signal obstructions and are particularly suitable for use on towers or chimneys and high buildings.



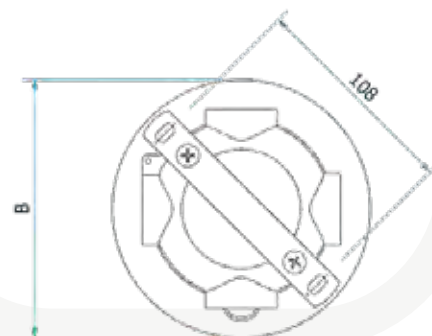
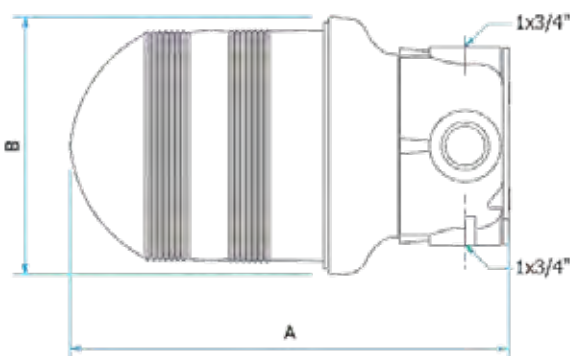
EU-Type Examination Certificate

### ITEM REFERENCES

Designation:	LED Lamp:	Item No.:
OL-LPA RED	E27- ±8W - 230 VAC	2A2601

### TECHNICAL SPECIFICATIONS

Marking:	II 2G Ex d IIC T5 Gb
Certificate:	EU-Type Examination Certificate
Operating temperature:	-20°C to +40°C
Ingress protection:	IP65
Operating mode:	Continuous
Body and cover:	Low copper content Aluminium Alloy
Globe:	Shock and temperature resistant borosilicate glass
Fresnel lens:	Shock and UV resistant Polycarbonate
Gasket:	Acid/Hidrocarbon resistant Silicone
Bolt and screws:	ST.ST.A2
Housing finish:	Epoxy coating. RAL 7000 (Grey)
Power supply:	230VAC
Frequency:	50/60 Hz
Lamp holder:	E27 - Direct connection to lamp holder
Cable entries:	2x 3/4" NPT (cable glands not included)





# AB1-M3 LED SIGNAL LAMP

Zones 1, 2, 21, 22

Full catalogue available on our website: [www.inpratex.com](http://www.inpratex.com)

**ATEX VISUAL SIGNALLING DEVICES**

**ZONES 1, 2 (gas) & 21, 22 (dust)**



The signal lamp type AB1-M3 reliably indicates signal status on machines and systems in hazardous areas in zone 1/2 and zone 21/22.

The high degree of IP protection and the corrosion resistant stainless steel housing guarantee a long service life, even under aggressive environmental conditions.

Due to the flat design and rounded edges, the signal lamp offers little surface for external damage and dirt deposits.



EU-Type Examination Certificate

## ITEM REFERENCES

Designation:	Color:	Cable length:	Item No.:
AB1-M3-R0-1	Red	1,5m	3A0101
AB1-M3-Y0-1	Yellow		3A0102
AB1-M3-G0-1	Green		3A0103
AB1-M3-W0-1	White		3A0104
AB1-M3-B0-1	Blue		3A0105
AB1-M3-RG-1	Red/Green		3A0106
AB1-M3-R0-2	Red	3m	3A0201
AB1-M3-Y0-2	Yellow		3A0202
AB1-M3-G0-2	Green		3A0203
AB1-M3-W0-2	White		3A0204
AB1-M3-B0-2	Blue		3A0205
AB1-M3-RG-2	Red/Green		3A0206
AB1-M3-R0-3	Red	5m	3A0301
AB1-M3-Y0-3	Yellow		3A0302
AB1-M3-G0-3	Green		3A0303
AB1-M3-W0-3	White		3A0304
AB1-M3-B0-3	Blue		3A0305
AB1-M3-RG-3	Red/Green		3A0306
AB1-M3-R0-4	Red	10m	3A0401
AB1-M3-Y0-4	Yellow		3A0402
AB1-M3-G0-4	Green		3A0403
AB1-M3-W0-4	White		3A0404
AB1-M3-B0-4	Blue		3A0405
AB1-M3-RG-4	Red/Green		3A0406

# AB1-M3 LED SIGNAL LAMP

Zones 1, 2, 21, 22

Full catalogue available on our website: [www.inpratex.com](http://www.inpratex.com)

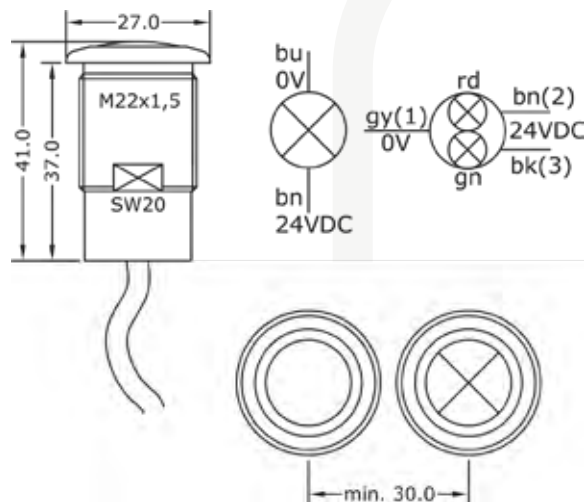
CONNECT and ACT - Due to the approval as a device, the signal lamp can be installed in the front of a machine in the Ex zone without further certification. The low installation depth enables a particularly space-saving use.

The indicator light has also been tested in order to be installed in certified control panels of types of protection Ex e and Ex t.



## TECHNICAL SPECIFICATIONS

Marking:	II 2G Ex db eb IIC T6 Gb II 2D Ex tb IIIC T85°C Db
Certificate:	EU-Type Examination Certificate
Operating temperature:	-20°C to +60°C
Operating voltage:	24 V DC +/-10 %
Current consumption:	max. 15 mA
Fuse:	63 mA
Flying lead:	3 x 0.5 mm <sup>2</sup> Ø 5.1 mm
Electrical connection:	(1) Grey = 0 V (2) Brown = 24 V DC red (3) Black = 24 V DC gn
Material housing:	Stainless steel 1.4305
Material lens:	Polycarbonate
Sealing:	EPDM
Ingress protection:	IP65
Impact resistance:	7 Nm / 4 Nm (lens)
Mounting hole:	22.0 ... 22.3 mm / M22 x 1.5
Torque:	8 Nm
For housing thickness:	1.0 ... 15.0 mm
Weight:	100 gr (1.5 m)
Scope of delivery:	Includes a plastic lock nut



# LR4 / LR6 SIGNAL TOWER

Zones 2, 22

Full catalogue available on our website: [www.inpratex.com](http://www.inpratex.com)

## ATEX VISUAL SIGNALLING DEVICES

ZONES 2 (gas) & 22 (dust)



The explosion proof LR4 and LR6 signal towers are expandable up to five LED segments that will not come off due to vibration. The ultra bright, maintenance free LED units have a vertically and horizontally ground lens combined with a double reflection system. This guarantees an even and brilliant light output, and also makes them visible from greater distances.

The polycarbonate lenses and enclosure are dust and waterproof, and can withstand harsh conditions. Also available with fully enclosed sound module and blinker option to provide an audible and visual alarm.



Declaration of Conformity

The LR4 and LR6 signal towers are explosion proof and certified in accordance with European Directive 2014/34/EU and are CE marked.

- Includes stainless steel bracket for wall mounting
- Available with or without buzzer sound and blinker option
- Up to 5 LED units

### ITEM REFERENCES LR4 (Ø40 mm)

Designation:	Combination:	Item No.:
LR4-102WJBU-R-EX	One LED unit, red, with buzzer	3C0701
LR4-102WJNU-R-EX	One LED unit, red, without buzzer	3C0702
LR4-202WJBU-RG-EX	Two LED units, red and green, with buzzer	3C0703
LR4-202WJBU-RY-EX	Two LED units, red and yellow, with buzzer	3C0704
LR4-202WJNU-RG-EX	Two LED units, red and green, without buzzer	3C0705
LR4-202WJNU-RY-EX	Two LED units, red and yellow, without buzzer	3C0706
LR4-302WJBU-RYG-EX	Three LED units, red, yellow and green, with buzzer	3C0707
LR4-302WJNU-RYG-EX	Three LED units, red, yellow and green, without buzzer	3C0708
LR4-402WJBU-RYGB-EX	Four LED units, red, yellow, green and blue, with buzzer	3C0709
LR4-402WJNU-RYGB-EX	Four LED units, red, yellow, green and blue, without buzzer	3C0710
LR4-502WJBU-RYGBC-EX	Five LED units, red, yellow, green, blue and white, with buzzer	3C0711
LR4-502WJNU-RYGBC-EX	Five LED units, red, yellow, green, blue and white, without buzzer	3C0712

### ITEM REFERENCES LR6 (Ø60 mm)



Designation:	Combination:	Item No.:
LR6-102WJBU-R-EX	One LED unit, red, with buzzer	3C0801
LR6-102WJNU-R-EX	One LED unit, red, without buzzer	3C0802
LR6-202WJBU-RG-EX	Two LED units, red and green, with buzzer	3C0803
LR6-202WJBU-RY-EX	Two LED units, red and yellow, with buzzer	3C0804
LR6-202WJNU-RG-EX	Two LED units, red and green, without buzzer	3C0805
LR6-202WJNU-RY-EX	Two LED units, red and yellow, without buzzer	3C0806
LR6-302WJBU-RYG-EX	Three LED units, red, yellow and green, with buzzer	3C0807
LR6-302WJNU-RYG-EX	Three LED units, red, yellow and green, without buzzer	3C0808
LR6-402WJBU-RYGB-EX	Four LED units, red, yellow, green and blue, with buzzer	3C0809
LR6-402WJNU-RYGB-EX	Four LED units, red, yellow, green and blue, without buzzer	3C0810
LR6-502WJBU-RYGBC-EX	Five LED units, red, yellow, green, blue and white, with buzzer	3C0811
LR6-502WJNU-RYGBC-EX	Five LED units, red, yellow, green, blue and white, without buzzer	3C0812

# LR4 / LR6 SIGNAL TOWER

Zones 2, 22

Full catalogue available on our website: [www.inpratex.com](http://www.inpratex.com)

## TECHNICAL SPECIFICATIONS

Marking:	 II 3G Ex ec IIC T4 Gc  II 3D Ex tc IIIC T80° Dc
Certificate:	Declaration of Conformity
Light color:	Red, Yellow, Green, Blue and White
Supply voltage:	24 VDC
Rated current at 24 VDC:	LR4: 135 mA without buzzer / 385 mA with buzzer   LR6: 225 mA without buzzer / 475 mA with buzzer
Enclosure:	Plastic
Dimensions enclosure:	LR4: Ø40mm   LR6: Ø60mm
Ingress protection:	IP65
Connection:	Fixed cable
Mounting bracket:	Stainless steel
Ambient temperature:	-20 °C to +50 °C
Blink rate:	±60 / min

# GH5 MULTICOLOUR LIGHT

Zones 2, 22

Full catalogue available on our website: [www.inpratex.com](http://www.inpratex.com)

## ATEX VISUAL SIGNALLING DEVICES ZONES 2 (gas) & 22 (dust)

The Multicolour Light GH5 is designed as a fixed device of equipment group II category 3 for use in areas that can rarely and at short notice be endangered by an explosive atmosphere (zones 2, 22).

The light is an optical signalling device for universal use. The possible signalling colours red, yellow, green, blue and white serve many different signalling functions. The different signalling colours are generated in one single light element.

Every colour allows presetting one of the operating modes: continuous light, signalling light or flash light.



- The plastic enclosure and the cap consist of impact resistant polycarbonate.

- The device may be placed in any position. The mounting angle can be rotated 90°.

- 3 signal modes:  
Continuous light  
Blinking light  
Strobe light



ITEM REFERENCES			
Designation:	Operating range:	Power:	Item No.:
GH5 - 230V	230 VAC, 50/60 Hz	< 12 W	2A1401
GH5 - 24V	24 VDC	< 4 W	2A1502

TECHNICAL SPECIFICATIONS	
Marking:	II 3G Ex nR IIC T6 Gc II 3D Ex tc IIIC T85°C Dc
Certificate:	Declaration of Conformity
Operating conditions:	Indoor / Outdoor
Housing / Cap:	Polycarbonate
Ingress protection:	IP66
Operating temperature:	-20°C to +50°C
Current consumption (white colour):	230V - < 50 mA      24V - < 135 mA
Connection:	Terminals 2,5 mm <sup>2</sup>
Connection cable:	Ø 7 to 12 mm
Colour:	5 different signalling colours
Weight:	Approx. 1,4 kg
Cable entries:	1xM20x1,5 plastic cable gland

\* The measurement has been done at the side and at the top using the valuation method Blondel-Rey.

CANDELA*	
Colour: Green	
Continuous light	1.5 cd
Flashing	0.4 cd
Blinking	0.8 cd
Colour: Blue	
Continuous light	0.5 cd
Flashing	0.1 cd
Blinking	0.3 cd
Colour: Yellow	
Continuous light	2.3 cd
Flashing	0.5 cd
Blinking	1.3 cd
Colour: Red	
Continuous light	1.2 cd
Flashing	0.3 cd
Blinking	0.6 cd
Colour: White	
Continuous light	4.0 cd
Flashing	0.5 cd
Blinking	1.2 cd

3



SIGNALLING

# BZ2/BD22 STROBE LIGHT

Zones 2, 22

Full catalogue available on our website: [www.inpratex.com](http://www.inpratex.com)

## ATEX VISUAL SIGNALLING DEVICES

## ZONES 2 (gas) & 22 (dust)



In potential explosive atmospheres it is often necessary to use optical signals for warning, indicating and signalling purposes. The Ex-Strobe light BZ2/BD22 offers these signalling options.

The BZ2/BD22 Strobe Light is activated by connecting the supply voltage. It may be delivered with 5 different dome colours.

The sturdy housing made of impact-resistant polycarbonate is realized in protection class IP66 and allows for indoor and outdoor applications. The dome consists of impact-resistant coloured polycarbonate.

A powerful Xenon flash tube transforms the electrical energy stored in the flash capacitor into light flashes with a high degree of efficiency.

- Dome cap available in 5 different colors.
- Stainless steel wall bracket.

- Operating position: Any  
The mounting angle can be rotated 90°.

- Operating mode:  
Continuous operation



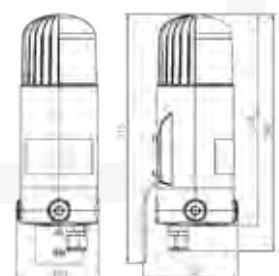
Declaration of Conformity

### ITEM REFERENCES

Designation:	Operating range:	Current consumption:	Temperature class / Operating temperature:	Item No.:
BZ2/BD22 230 Red	230 VAC, 50-60 Hz +6/-10%	0,13 A	T4 / -20°C ≤ Ta ≤ +40°C	2A0601
BZ2/BD22 230 Green	230 VAC, 50-60 Hz +6/-10%	0,13 A	T4 / -20°C ≤ Ta ≤ +40°C	2A0602
BZ2/BD22 230 Blue	230 VAC, 50-60 Hz +6/-10%	0,13 A	T4 / -20°C ≤ Ta ≤ +40°C	2A0603
BZ2/BD22 230 Transparent	230 VAC, 50-60 Hz +6/-10%	0,13 A	T4 / -20°C ≤ Ta ≤ +40°C	2A0604
BZ2/BD22 230 Amber	230 VAC, 50-60 Hz +6/-10%	0,13 A	T4 / -20°C ≤ Ta ≤ +40°C	2A0605
BZ2/BD22 24 Red	24 VDC 15-32 V	0,55 A	T5 / -20°C ≤ Ta ≤ +50°C	2A0801
BZ2/BD22 24 Green	24 VDC 15-32 V	0,55 A	T5 / -20°C ≤ Ta ≤ +50°C	2A0802
BZ2/BD22 24 Blue	24 VDC 15-32 V	0,55 A	T5 / -20°C ≤ Ta ≤ +50°C	2A0803
BZ2/BD22 24 Transparent	24 VDC 15-32 V	0,55 A	T5 / -20°C ≤ Ta ≤ +50°C	2A0804
BZ2/BD22 24 Amber	24 VDC 15-32 V	0,55 A	T5 / -20°C ≤ Ta ≤ +50°C	2A0805

### TECHNICAL SPECIFICATIONS

Marking:	II 3G Ex nR IIC T5/T4 Gc II 3D Ex tc IIIC T85°C Dc
Certificate:	Declaration of Conformity
Operating conditions:	Indoor / Outdoor
Housing:	Polycarbonate (black)
Cap:	Polycarbonate (transparent, red, green, blue, amber)
Ingress protection:	IP66
Flash energy:	15 J - XENON lamp
Flash frequency:	60/min
Connection:	Terminals 2,5 mm <sup>2</sup>
Weight:	Approx. 1,4 kg
Cable entries:	3xM20x1,5 1 plastic cable gland 2 plastic plugs



# AR-047 LED SIGNAL LIGHT

Zones 2, 22

Full catalogue available on our website: [www.inpratex.com](http://www.inpratex.com)

## ATEX VISUAL SIGNALLING DEVICES ZONES 2 (gas) & 22 (dust)

The AR-047 omnidirectional explosion-safe LED signal light is designed for use under the most demanding conditions. The robust anodized aluminum housing and top plate, the 20 mm thick impact-resistant window, the O-ring seal and cast electronics ensure that the lamp is completely impervious to water and salt.

The 15 latest generation LEDs ensure a clearly perceptible visual signal. Dependent on the execution, the light will burn continuously or it blinks at a frequency of 1 Hertz. The signal light can be ordered either with a radial cable connection or with a connection on the back of the lamp.

This makes the lamp highly suitable for use as a warning light on control cabinets.

The connection cable has a standard length of 5 meters. For application under more demanding conditions there is also a version available with an AISI 316 stainless steel housing and top plate.



Declaration of Conformity

### ITEM REFERENCES

Designation:	Light color:	Lighting mode:	Connection:	Item No.:
AR-047 / 0 1 1 - R	Red	Continuous	3-wire connection	2A2301
AR-047 / 0 2 1 - R	Red	Blinking (1 Hertz)	3-wire connection	2A2302
AR-047 / 0 3 1 - R	Red	Continuous or Blinking, user selectable	4-wire connection	2A2303
AR-047 / 0 1 1 - Y	Yellow / Amber	Continuous	3-wire connection	2A2304
AR-047 / 0 2 1 - Y	Yellow / Amber	Blinking (1 Hertz)	3-wire connection	2A2305
AR-047 / 0 3 1 - Y	Yellow / Amber	Continuous or Blinking, user selectable	4-wire connection	2A2306
AR-047 / 0 1 1 - G	Green	Continuous	3-wire connection	2A2307
AR-047 / 0 2 1 - G	Green	Blinking (1 Hertz)	3-wire connection	2A2308
AR-047 / 0 3 1 - G	Green	Continuous or Blinking, user selectable	4-wire connection	2A2309

### TECHNICAL SPECIFICATIONS

Marking:	II 3G Ex ec IIC T4 Gc II 3D Ex tc IIIC T135° Dc
Certificate:	Declaration of Conformity
Light color:	Red (625 nm), Yellow / Amber (610 nm) or Green (530 nm)
Luminance:	Red: 4.250 Cd/m <sup>2</sup>   Yellow / Amber: 6.350 Cd/m <sup>2</sup>   Green: 8.300 Cd/m <sup>2</sup>
Material:	Anodized aluminum housing (AISI 316 stainless steel on request), 20 mm impact-resistant window (PMMA)
Ingress protection:	IP65 according to EN 60529
Supply voltage:	24 VDC ± 10%
Nominal current:	160 mA @ 24 VDC
Connection:	Radial: Fixed cable, 3 x 1 mm <sup>2</sup> or 4 x 1 mm <sup>2</sup> , length 5 m   (Axial: On request)
Earth connection:	External, stainless steel, 4 mm <sup>2</sup>
Ambient temperature:	-20 °C to +60 °C
Dimensions:	Ø 95 x 52 mm (excl. cable gland)
Assembly:	M5 tapped holes (3x) on an 81 mm pitch circle diameter
Weight:	575 gr (aluminum) / 1.395 gr (stainless steel)

A photograph of an industrial facility, likely a refinery or chemical plant, featuring several tall, cylindrical chimneys and a complex network of pipes and scaffolding. The sky is blue with scattered white clouds. A large, semi-transparent grey triangle is overlaid on the top right corner of the image.

3.2

**ACOUSTIC  
SIGNALLING**



# EXPLOSION-PROOF SOUNDER dEV20

Zones 1, 2, 21, 22

Full catalogue available on our website: [www.inpratex.com](http://www.inpratex.com)

## ACOUSTIC SIGNALLING DEVICES

ZONES 1, 2 (gas) & 21, 22 (dust)

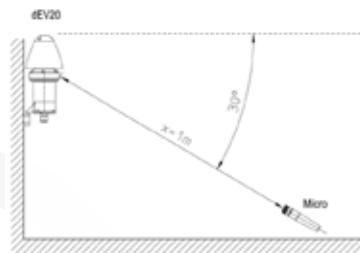


Hazardous areas often require the use of acoustical signals for warning or information purposes. The ExII-sounder dEV20 offers both of these signalling features and is designed for continuous operation.

The ExII-sounder dEV20 has an ingress protection rating of IP66, meaning it is suitable for both indoor and outdoor installation. The ExII-Sounder consists of a flame-proof housing manufactured from a light grade aluminium alloy and a sound channel made from impact-resistant polyester.

The sounder dEV20 includes two signal levels. The signal tone for the first level is adjusted with the slide switches 1-5 (S0) according to the signal choice list. The signal tone for the second signal level is adjusted with the slide switches 6-10 (S1).

Delivery condition: S0 = Tone 24, S1 = Tone 4



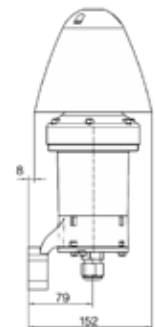
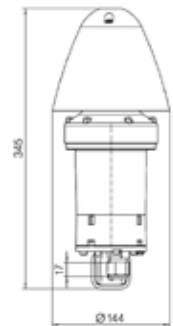
EU-Type Examination Certificate

### ITEM REFERENCES

Designation:	Input voltage:	Current consumption:	Item No.:
dEV20 VDC	19.2-28.8 VDC	460 mA	3A0901
dEV20 VAC	85-264 VAC	93 mA (230 V)	3A0902

### TECHNICAL SPECIFICATIONS

Marking:	II 2G Ex d e IIB + H2 T6 Gb II 2D Ex tb IIIC T85°C Db
Certificate:	EU-Type Examination Certificate
Operating temperature:	-50 °C to +60 °C
Operating conditions:	Indoor / Outdoor
Housing:	Copper-free, seawater-resistant aluminium
Cap:	Polyamid (black)
Ingress protection:	IP66 according to IEC 60529
Weight:	2.8 kg
Volume:	Max. approx. 115 dB(A), can be lowered in 3 steps of 10 dB
Signal tones:	32 per signalling stage
Alarm tone selection:	Via DIP switch
Current consumption:	93-460 mA (depending on voltage)
Power consumption:	Max. 14 W
Operating position:	Vertical, cable gland facing downwards
Operating mode:	Continuous operation
Connection terminals:	1,5 mm <sup>2</sup> / 2,5 mm <sup>2</sup> terminals
Cable entries:	1xM20x1.5 (cable 5.5 to 13 mm)



# EXPLOSION-PROOF SIGNALLING HOOTER MHG11

Zones 1, 2, 21, 22

Full catalogue available on our website: [www.inpratex.com](http://www.inpratex.com)

## ACOUSTIC SIGNALLING DEVICES

ZONES 1, 2 (gas) & 21, 22 (dust)



The mHG 11 Ex Signalling Hooter is designed for warning purposes in potentially explosive areas of zones 1, 2, 21 and 22.

The hooter is available with the common supply voltages and produces a sound level of approx. 108 dB(A).

The device is driven by a powerful, non-polarized electromagnet with an adjustable tappet that hits the membrane 100 to 120 times per second.

The DC version additionally comprises an electronic circuit breaker.

Volume: Approx. 108 dB(A), in 1 m distance.



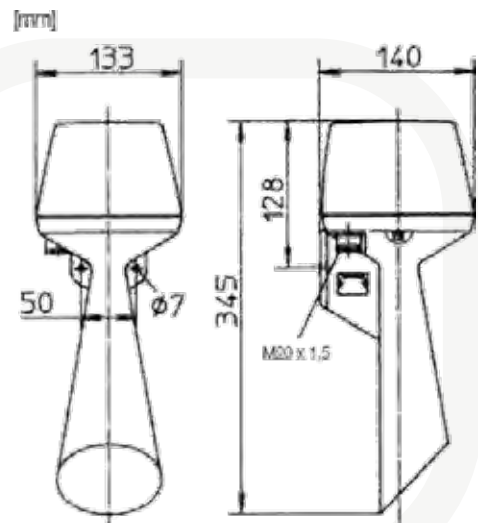
EU-Type Examination Certificate

### ITEM REFERENCES

Designation:	Operating range:	Current consumption:	Temperature range:	Item No.:
mHG11	T4, 230 VAC	0,07 A	-55°C to +70°C	3A0601
mHG11	T5, 230 VAC	0,07 A	-55°C to +50°C	3A0602
mHG11	T4, 24 VDC	0,3 A	-55°C to +70°C	3A0605
mHG11	T5, 24 VDC	0,3 A	-55°C to +60°C	3A0606

### TECHNICAL SPECIFICATIONS

Marking:	II 2G Ex e mb IIC T4 Gb II 2G Ex e mb IIC T5 Gb II 2D Ex tb IIIC T90°C Db
Certificate:	EU-Type Examination Certificate
Operating conditions:	Indoor / Outdoor
Housing:	Aluminium
Weight:	Approx. 2 kg
Ingress protection:	IP66
Cable entries:	1xM20x1,5



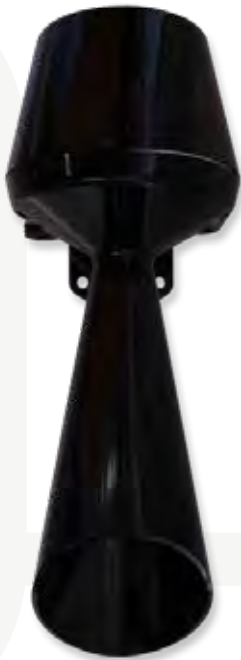
# EXPLOSION-PROOF SIGNALLING HOOTER MHP11

Zones 1, 2

Full catalogue available on our website: [www.inpratex.com](http://www.inpratex.com)

## ACOUSTIC SIGNALLING DEVICES

ZONES 1, 2 (gas)



The mHP 11 Ex Signalling Hooter is designed for warning purposes in potentially explosive areas of zones 1 and 2.

The hooter is available with the common supply voltages and produces a sound level of approx. 108 dB(A).

The device is driven by a powerful, non-polarized electromagnet with an adjustable tappet that hits the membrane 100 to 120 times per second.

The DC version additionally comprises an electronic circuit breaker.




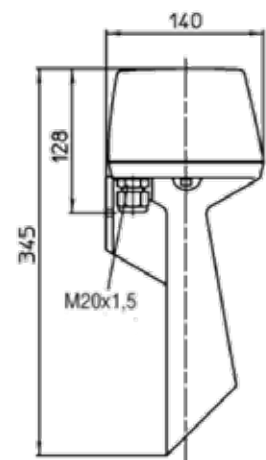
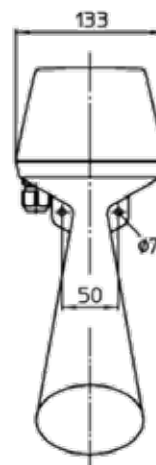
EU-Type Examination Certificate

### ITEM REFERENCES

Designation:	Operating range:	Current consumption:	Temperature range:	Weight:	Item No.:
mHP11	T5, 230 VAC	0,07 A	-20°C to +50°C	±1.2 kg	3A0502
mHP11	T5, 24 VDC	0,3 A	-20°C to +60°C	±1.2 kg	3A0506
mHP11	T5, 115 VAC	0,15 A	20°C to +50°C	±1.2 kg	3A0509

### TECHNICAL SPECIFICATIONS

Marking:	 II 2G Ex e mb IIC T5 Gb
Certificate:	EU-Type Examination Certificate
Operating conditions:	Indoor / Outdoor
Housing:	Black Polycarbonate
Ingress protection:	IP54
Cable entries:	1xM20x1,5 Plastic cable gland



3



SIGNALLING

# SD150-1 SOUNDER - GRP

Zones 1, 2, 21, 22

Full catalogue available on our website: [www.inpratex.com](http://www.inpratex.com)

## ACOUSTIC SIGNALLING DEVICES

ZONES 1, 2 (gas) & 21, 22 (dust)



SD150-1 Sounder in GRP, certified for use in explosive atmosphere, zone 1 & 2 for gas and zone 21 & 22 for dust. It is dedicated for Oil & Gas, chemical, petrochemical, pharmacy industries, marine and offshore applications.

It's designed for corrosive environments and hazardous area.

This sounder, according to user control system, can be set with one tone among 59 prerecorded tones.

It is possible to control the sounder via a telephone line.


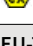


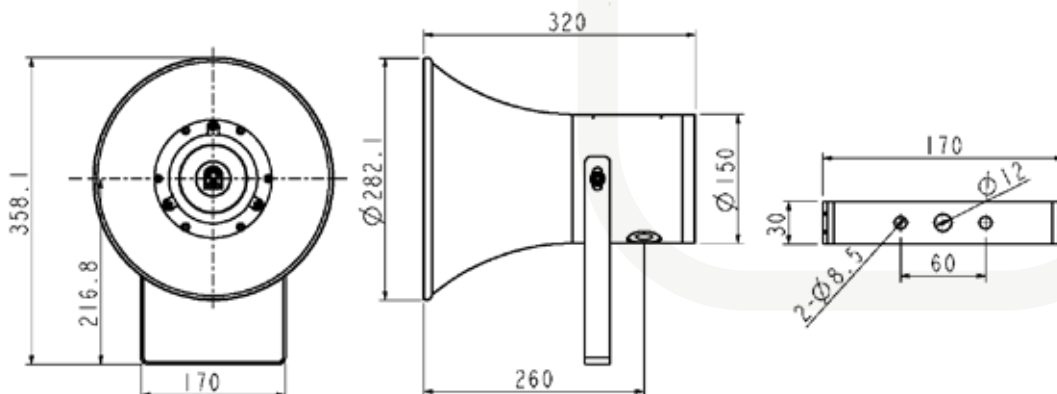
EU-Type Examination Certificate

### ITEM REFERENCES

Designation:	Voltage:	Item No.:
SD 150-1 12-48 VDC	12...48V DC	3C0501
SD 150-1 100-240 VAC	100...240V AC (50/60hz)	3C0503

### TECHNICAL SPECIFICATIONS

Marking:	 II 2G Ex d IIC T4~T6 Gb  II 2D Ex tb IIIC T135°C~T85°C IP66
Certificate:	EU-Type Examination Certificate
Housing:	ENCLOSURE: Glass-Reinforced Polyester (GRP). BRACKET: Stainless Steel 316L
Housing colour:	Standard: Red (RAL 3001) On request: Black (RAL 9004)   Yellow (RAL 1018)   Blue (RAL 5005)
Operating temperature:	-40°C to +55°C (T6) / -40°C to +60°C (T5) / -40°C to +70°C (T4)
Ambient humidity:	Until 95%
Consumption:	Adjustable from 5 to 25 W (factory setting 20W)
Noise level:	Until 115 dB at 1 m
Current consumption:	0.5 to 1 A
Weight:	5,4 kg
Ingress protection:	IP66/67
Cable entries:	2xM20x1,5 holes



# SD125-1 SOUNDER - STAINLESS STEEL

Zones 1, 2, 21, 22

Full catalogue available on our website: [www.inpratex.com](http://www.inpratex.com)

## ACOUSTIC SIGNALLING DEVICES

ZONES 1, 2 (gas) & 21, 22 (dust)



SD125-1 Sounder in stainless steel, certified for use in explosive atmosphere, zone 1 & 2 for gas and zone 21 & 22 for dust. It is dedicated for Oil & Gas, chemical, petrochemical, pharmacy industries, marine and offshore applications.

It's designed for corrosive environments and hazardous area.

This sounder, according to user control system, can be set with one tone among 59 prerecorded tones.

It is possible to control the sounder via a telephone line.



EU-Type Examination Certificate

3



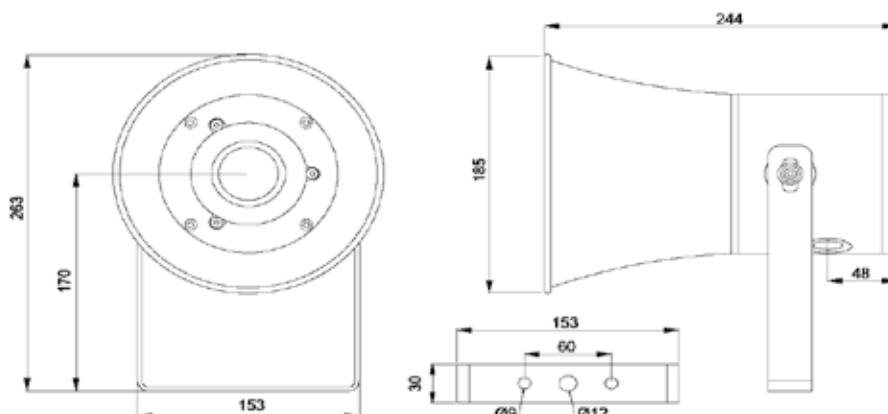
SIGNALLING

### ITEM REFERENCES

Designation:	Voltage:	Item No.:
SD 125-1 12-48 VDC	12...48V DC	3C0504
SD 125-1 100-240 VAC	100...240V AC (50/60hz)	3C0506

### TECHNICAL SPECIFICATIONS

Marking:	II 2G Ex d IIC T4~T6 Gb II 2D Ex tb IIIC T135°C~T85°C IP66
Certificate:	EU-Type Examination Certificate
Housing:	ENCLOSURE & BRACKET: Stainless Steel 316L
Housing colour:	Standard: Red (RAL 3001) On request: Black (RAL 9004)   Yellow (RAL 1018)   Blue (RAL 5005)
Operating temperature:	-40°C to +55°C (T6) / -40°C to +60°C (T5) / -40°C to +70°C (T4)
Ambient humidity:	Until 95%
Consumption:	Adjustable from 5 to 25 W (factory setting 20W)
Noise level:	Until 115 dB at 1 m
Current consumption:	0.5 to 1 A
Weight:	6,2 kg
Ingress protection:	IP66/67
Cable entries:	2xM20x1,5 holes



# ETH20MD AUDIBLE WARNING DEVICE

Zones 1, 2, 21, 22

Full catalogue available on our website: [www.inpratex.com](http://www.inpratex.com)

## ACOUSTIC SIGNALLING DEVICES

ZONES 1, 2 (gas) & 21, 22 (dust)

ETH20MD audible warning devices are for use in open environments with a high background noise, where there is a potential explosive atmosphere. They are equipped with an electronic circuit with 32 tones and increased sound power, selectable using a deep-switch.



The acoustic transducer has an impedance of 16 Ω and a frequency of 2 KHz. The mounting bracket is made of ST. ST. 316L.

The body of the horn has to be taken into consideration when placing it. It has to be floating, to make room for the cable gland.



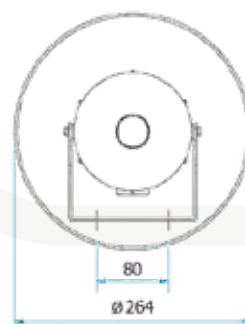
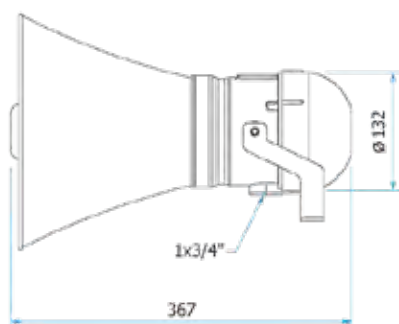
EU-Type Examination Certificate

### ITEM REFERENCES

Designation:	Voltage:	Working current:	Weight:	Item No.:
ETH20MD101	12 - 24 V AC/DC	0,10-0,12 A	3,10 kg	3B0201
ETH20MD103	110 V AC	0,02 A	3,25 kg	3B0202
ETH20MD104	230 V AC	0,012 A	3,25 kg	3B0203

### TECHNICAL SPECIFICATIONS

Marking:	II 2G Ex d IIC or IIB+H <sub>2</sub> T3 or T4 Gb II 2D Ex tb IIIC T150°C or T130°C Db
Certificate:	EU-Type Examination Certificate
Operating temperature:	-50°C to +60°C
Body and cover:	Low copper aluminium alloy. Epoxy coating RAL 7000
Speaker horn:	Anodized aluminium
Gasket:	Acid/hydrocarbon resistant silicone
Bolt and screws:	ST. ST. A2
Noise level:	113 dB
Acoustic frequency:	340/2000 Hz
Power consumption:	10 W
Frequency:	50/60 Hz
Driver impedance:	16 Ω
Operating mode:	Continuous
Ingress protection:	IP66
Cable entries:	1x3/4" NPT (cable gland not included)



# EXPLOSION-PROOF SIGNALLING HOOTER DGH21

Zones 1, 2

Full catalogue available on our website: [www.inpratex.com](http://www.inpratex.com)

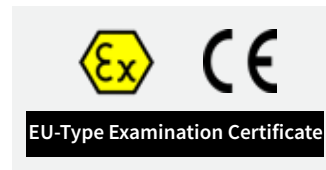
## ACOUSTIC SIGNALLING DEVICES

ZONES 1, 2 (gas)



The dGH21/dRGH21 Signalling Hooter was designed for warning, calling and indicating purposes in potentially explosive areas of group II and for rough ambient conditions.

The signalling hooter produces a sound level of approx. 105 dB(A) at 1 m distance. The characteristic hooting sound clearly stands out from any ambient sound of higher frequency.



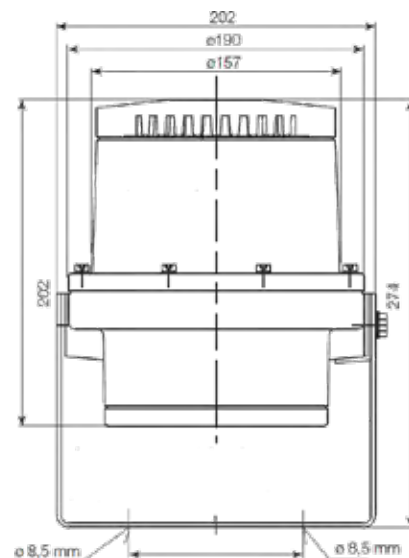
The hooter is available for all common supply voltages. The dRGH21 version comprises a call current relay and issues the signals in the pulse rate of the incoming telephone call.

### ITEM REFERENCES

Designation:	Operating range:	Current consumption:	Temperature range:	Item No.:
dGH21	230 VAC	0,07 A	T5) -20°C to +75°C T6) -20°C to +70°C	3B0101
dGH21	24 VDC	0,3 A		3B0102
dGH21	110 VDC	0,08 A		3B0103
dGH21	120 VAC 60 Hz	0,15 A		3B0104

### TECHNICAL SPECIFICATIONS

Marking:	II 2G Ex de IIC T6/T5 Gb
Certificate:	EU-Type Examination Certificate
Operating conditions:	Indoor / Outdoor
Housing:	GRP
Weight:	Approx. 5,5 kg
Ingress protection:	IP66
Cable entries:	1xM20x1,5 Plastic cable gland 1xM20x1,5 Plastic plug



# EXPLOSION-PROOF SIGNALLING HOOTER MHP12

Zones 1, 2

Full catalogue available on our website: [www.inpratex.com](http://www.inpratex.com)

## ACOUSTIC SIGNALLING DEVICES

## ZONES 1, 2 (gas)

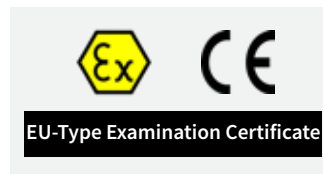


The mHP 12 Ex Signalling Hooter is designed for warning purposes in potentially explosive areas of zones 1 and 2.

The hooter is available with the common supply voltages and produces a sound level of approx. 108 dB(A).

The device is driven by a powerful, non-polarized electromagnet with an adjustable tappet that hits the membrane 100 to 120 times per second.

Volume: approx. 108 dB(A).

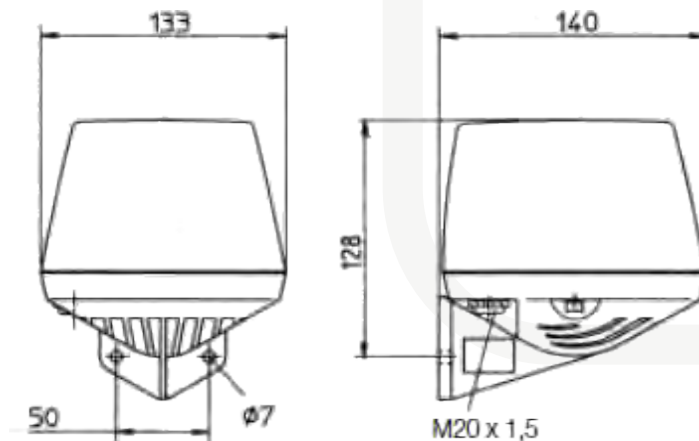


### ITEM REFERENCES

Designation:	Operating range:	Current consumption:	Temperature range:	Item No.:
mHP12	T4, 230 VAC	0,07 A	-20°C to +70°C	3A0801
mHP12	T4, 24 VDC	0,3 A	-20°C to +70°C	3A0805

### TECHNICAL SPECIFICATIONS

Marking:	II 2G Ex e mb II T4 Gb
Certificate:	EU-Type Examination Certificate
Operating conditions:	Indoor / Outdoor
Housing:	Polycarbonate (Black)
Weight:	Approx. 2 kg
Ingress protection:	IP54
Cable entries:	1xM20x1,5 plastic cable gland





# EXPLOSION-PROOF SIGNALLING BELL DGW21

Zones 1, 2

Full catalogue available on our website: [www.inpratex.com](http://www.inpratex.com)

## ACOUSTIC SIGNALLING DEVICES

ZONES 1, 2 (gas)



The signalling bell dGW21 was designed to warn, call and signal in areas with explosive atmospheres in group II and rough ambient conditions. The protection type II 2G Ex de IIC T6 allows the signalling bell to be used without restriction in all ex-areas classified 1 and 2.

The signalling bell produces a sound volume of approx. 105dB(A) at 1m distance.

The emphasis of the ringing lies at approx. 1000 Hz, as a result of which the signal stands out clearly against lower-frequency ambient noises. The bell is available for all usual supply voltages.

The version dRGW 21 emits the signals in time with the connected telephone call.



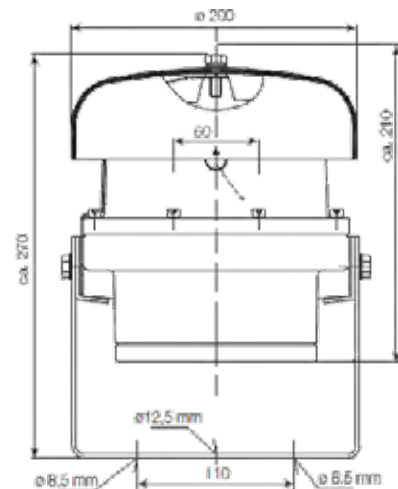
EU-Type Examination Certificate

### ITEM REFERENCES

Designation:	Operating range:	Item No.:
dGW 21 black	12 VDC	3E0101
dGW 21 black	24VDC	3E0102
dGW 21 black	110 VAC	3E0103
dGW 21 black	110 VDC	3E0104
dGW 21 black	230 VAC	3E0105
dGW 21 black	240 VAC 60 Hz	3E0106
dGW 21 red	12 VDC	3E0107
dGW 21 red	24 VDC	3E0108
dGW 21 red	110 VAC	3E0109
dGW 21 red	110 VDC	3E0110
dGW 21 red	230 VAC	3E0111

### TECHNICAL SPECIFICATIONS

Marking:	Ex II 2G Ex de IIC T6 Gb
Certificate:	EU-Type Examination Certificate
Operating conditions:	Indoor / Outdoor
Ingress protection:	IP66
Weight:	Approx. 5,5 kg
Operating temperature:	-20°C to +40°C
Operating mode:	Continuous
Cable entries:	1xM20x1,5 plastic cable gland



# IS-S-02 INTRINSICALLY SAFE SOUNDER

Zones 0, 1, 2, 20, 21, 22

Full catalogue available on our website: [www.inpratex.com](http://www.inpratex.com)

## ACOUSTIC SIGNALLING DEVICES

## ZONES 0, 1, 2 (gas) & 20, 21, 22 (dust)



The IS-S-02 Intrinsically Safe Sounder is ATEX and IECEx certified, and is approved to be installed in Groups I (Mining) and Group II (above ground), Zones 0, 1 or 2 with gas groups IIA, IIB, IIC and Zones 20, 21 and 22 for dust groups IIIC and carries a temperature classification of T6.

The sounder unit incorporates a 2 stage alarm option and has a total of 32 selectable tones, selectable via a dip switch on the PCB and produces up to 105dB at 1m.



EU-Type Examination Certificate

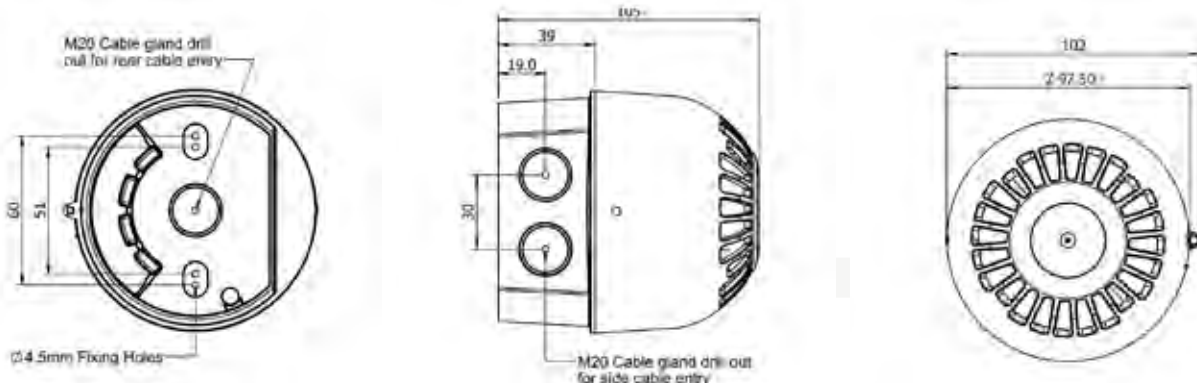
**This unit must be used in conjunction with an approved Zener Barrier or Galvanic Isolator.**

### ITEM REFERENCES

Designation:	Voltage:	Current:	Tones:	Item No.:
IS-S-02	24 V DC	33 mA	32	3C0901
ZENER Z728		1 Stage		3C0901A
KFD0-SD2-Ex2.1045		2 Stages		3C0901B

### TECHNICAL SPECIFICATIONS IS-S Series

Marking:	I MI Ex ia I Ma II 1G Ex ia IIC T6 Ga II 1D Ex ia IIIC T85°C Da
Certificate:	EU-Type Examination Certificate
Material:	Flame Retardant Polycarbonate UL94 V2
Colour:	RED
Sounder:	2 Stage alarm with 32 Selectable tones
Power rating:	0.66 W via a suitable barrier
Sound output:	Up to 105 dB at 1m (Tone 18)
Ingress protection:	IP66
Weight:	0,33 kg
Dimensions:	104 x 97.5 mm
Operating temperature:	-40°C to +55°C
Humidity:	>90% at 20°C
Connection terminals:	0.55mm <sup>2</sup> up to 2.5mm <sup>2</sup>
Power supply:	The unit must be powered via an approved Zener Barrier or Galvanic Isolator whose characteristics do not exceed $U_o$ : 28V, $I_o$ : 93mA, $P_o$ : 660mW, $C_i$ : 0, $L_i$ : 0. The minimum value of $U_o$ should not drop below 23.6v and the minimum value of $I_o$ should not drop below 50mA.
Cable entries:	3xM20x1,5 (cable glands not included)






# IS-S-02 INTRINSICALLY SAFE SOUNDER




Zones 0, 1, 2, 20, 21, 22

Full catalogue available on our website: [www.inpratex.com](http://www.inpratex.com)

## TECHNICAL SPECIFICATIONS Z728

Marking:	 I (M1) [Ex ia Ma] I  II (1)G [Ex ia Ga] IIC  II (1)D [Ex ia Da] IIIC
Certificate:	EU-Type Examination Certificate
Nominal resistance:	D300 $\Omega$
Series resistance:	max. 327 $\Omega$
Fuse rating:	50 mA
Working voltage - Supply loop:	max. 26.9 V
Ambient temperature:	-20°C ... 60 °C
<b>Mechanical specifications</b>	
Degree of protection:	IP20
Connection:	Screw terminals
Weight:	approx. 150 g
Dimensions:	12,5 x 115 x 116 mm
Mounting:	On 35 mm DIN mounting rail acc. to EN 60715:2001
<b>Data for application in connection with hazardous areas</b>	
Voltage:	$U_o$ 28 V
Current:	$I_o$ 93 mA
Power:	$P_o$ 650 mW
Input maximum safe voltage:	$U_m$ 250 V

## TECHNICAL SPECIFICATIONS KFDO-SD2-Ex2.1045

Marking:	 I (M1) [Ex ia Ma] I  II (1)G [Ex ia Ga] IIC  II (1)D [Ex ia Da] IIIC
Certificate:	EU-Type Examination Certificate
Signal type:	Digital Output
Safety Integrity Level (SIL):	SIL 3
Supply rated voltage:	$U_r$ 20 ... 35 V DC loop powered
Supply power dissipation:	< 1.05 W ( $\leq$ 30 V) per channel
Ambient temperature:	-20°C ... 60 °C
<b>Mechanical specifications</b>	
Degree of protection:	IP20
Connection:	Screw terminals
Weight:	approx. 100 g
Dimensions:	20 x 107 x 115 mm
Mounting:	On 35 mm DIN mounting rail acc. to EN 60715:2001
<b>Data for application in connection with hazardous areas</b>	
Voltage:	$U_o$ 25.2 V
Current:	$I_o$ 93 mA
Power:	$P_o$ 590 mW
Input maximum safe voltage:	$U_m$ 250 V (Attention! The rated voltage can be lower)

3



SIGNALLING

# EXPLOSION-PROOF HORN SPEAKER DSP-15EEXMN(T)

Zones 1, 2, 21, 22

Full catalogue available on our website: [www.inpratex.com](http://www.inpratex.com)

ACOUSTIC SIGNALLING DEVICES

ZONES 1, 2 (gas) & 21, 22 (dust)



Explosion-proof plastic horn speaker. This versatile model can be ordered with different transformers for more tappings and power ratings.

DSP-15 EExmN(T) is light and has M20 entries in the back lid for easy cable mounting. Extra termination space for loop in loop out purpose as standard.



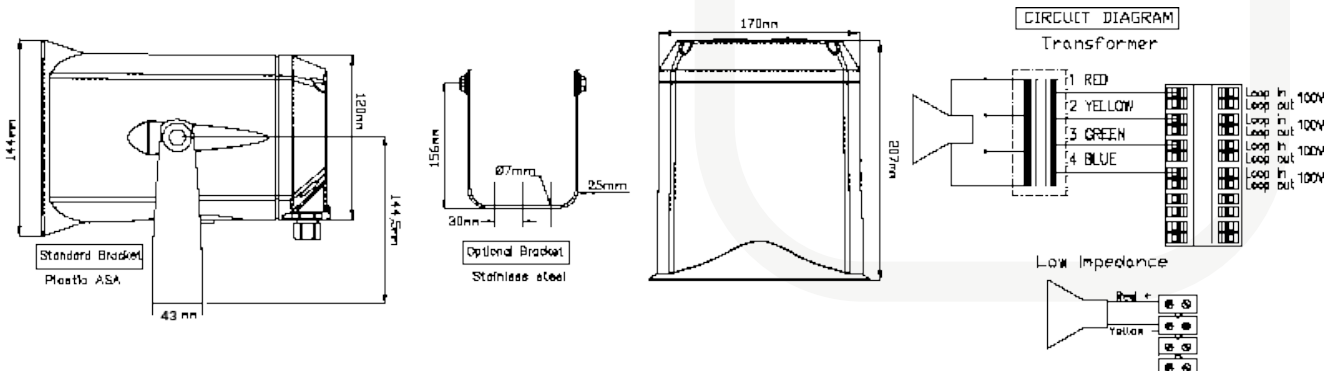
EU-Type Examination Certificate

ITEM REFERENCES

Designation:	Item No.:
DSP-15EExmN(T)	3D0401

TECHNICAL SPECIFICATIONS

Marking:	II 2G Ex d e mb IIB+H2 T4 Gb II 2G Ex d e mb IIC T4 Gb II 2D Ex tb IIIC T105°	
Certificate:	EU-Type Examination Certificate	
Housing:	Anti-static PA / Black	
Weight:	2,2 kg	
Operating temperature:	-50°C to +60°C	
Ingress protection:	IP66/67	
Rated voltage:	100V	
Rated / max. power:	25W / 30W	
	IIB	IIC
Sound pressure level:	106 dB - SPL 1W/1m	104 dB - SPL 1W/1m
Effective freq. range:	380-8000 Hz	450-7000 Hz
Dispersion:	1 kHz -6dB 120° 4 kHz -6dB 37°	1 kHz -6dB 105° 4 kHz -6dB 35°
Cable entries:	1xM20x1.5 plastic cable gland 1xM20x1.5 plastic plug	



# BA-56EEXEN(T) CEILING SPEAKER

Zones 1, 2

Full catalogue available on our website: [www.inpratex.com](http://www.inpratex.com)

ACOUSTIC SIGNALLING DEVICES

ZONES 1, 2 (gas)



Ex certified ceiling speaker for flush mounting.

An IP-rating of 54, makes the loudspeaker very flexible regarding placement and the sound characteristics ensure high quality sound in any situation.



EU-Type Examination Certificate

3




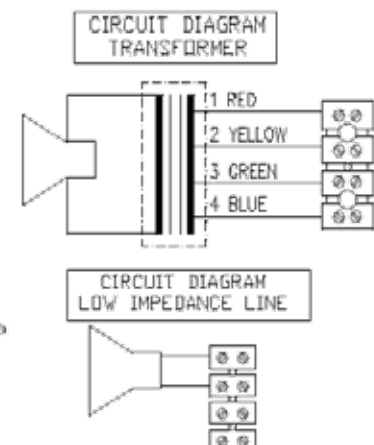
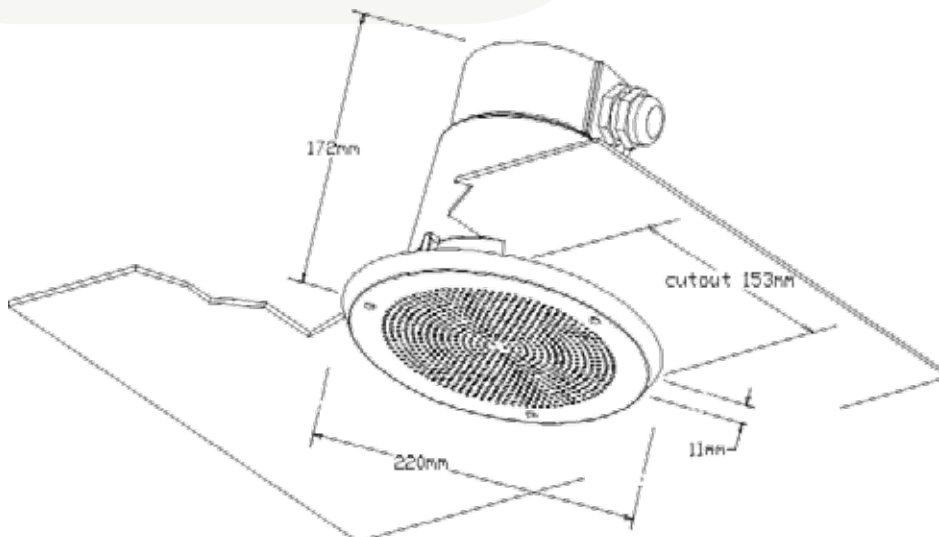
SIGNALLING

## ITEM REFERENCES

Designation:	Item No.:
BA-56EExeN(T), 100 V	3D0301
BA-56EExeN(T)x2, 100 V	3D0302

## TECHNICAL SPECIFICATIONS BA-56EExeN(T)


Marking:	 II 2G Ex de IIB+H2 T6 Gb
Certificate:	EU-Type Examination Certificate
Housing:	Aluminium RAL 9010
Ingress protection:	IP54
Weight:	3 kg
Operating temperature:	-20°C to +50°C
Max. power:	6W
Sound pressure level:	88 db - SPL 1W/1m
SPL rated power:	95 db
Effective freq. range:	160-15000Hz
Dispersion:	(-6dB) 1kHz / 4 kHz: 113° / 25°
100V transformer primary nominal tapings:	1:2=6W / 2:3=3W / 3:4=1,5W / 1:3=1W / 2:4=0,5W / 1:4=0,3W
Cable entries:	1xM20x1,5 cable gland

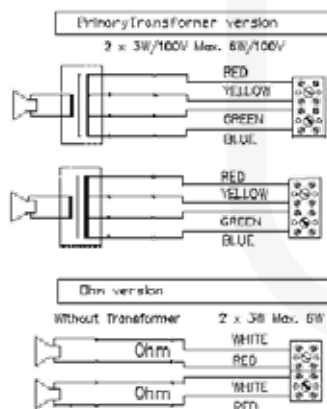
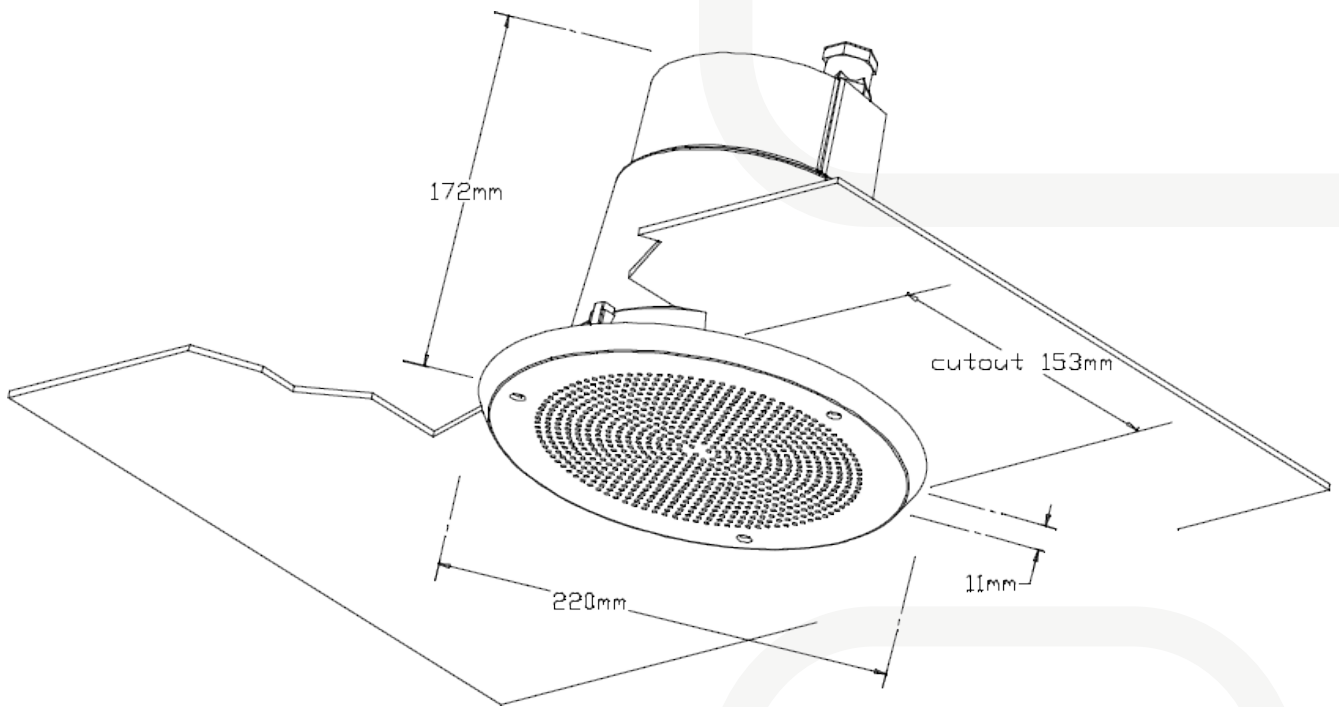


# BA-56EEXEN(T) CEILING SPEAKER

Zones 1, 2,

Full catalogue available on our website: [www.inpratex.com](http://www.inpratex.com)

TECHNICAL SPECIFICATIONS BA-56EEXeN(T)x2	
Marking:	 II 2G Ex de IIB+H2 T6 Gb
Certificate:	EU-Type Examination Certificate
Housing:	Aluminium RAL 9010
Ingress protection:	IP54
Weight:	3,1 kg
Operating temperature:	-20°C to +50°C
Max. power:	2x3W
Sound pressure level:	83 db - SPL 1W/1m
SPL rated power:	87 db
Effective freq. range:	190-15000Hz
Dispersion:	(-6dB) 1kHz / 4 kHz: 113° / 40°
100V transformer primary nominal tapings:	Red:Yellow=3W / Red:Green=1,5W / Red:Blue=0,75W
Cable entries:	1xM20x1,5 cable gland 1xM20x1,5 plug



# AB1-S3 BUZZER

Zones 1, 2, 21, 22

Full catalogue available on our website: [www.inpratex.com](http://www.inpratex.com)

## ACOUSTIC SIGNALLING DEVICES

ZONES 1, 2 (gas) & 21, 22 (dust)

The AB1-S3-type ATEX Buzzers stands for alarming, with a penetrating, acoustic signal, to safely indicate possible dangers in potentially explosive areas. The high degree of IP protection and the corrosion-resistant stainless steel housing guarantee a long service life even under aggressive environmental conditions. This buzzer can be used in a variety of ways in potentially explosive areas.

Thanks to its approval as a device, it can be installed directly in the front of a machine without further certification. It has also been tested in order to be installed in certified control panels of types of protection Ex e, Ex t and Ex d.

A lock nut is included in the scope of delivery.



EU-Type Examination Certificate

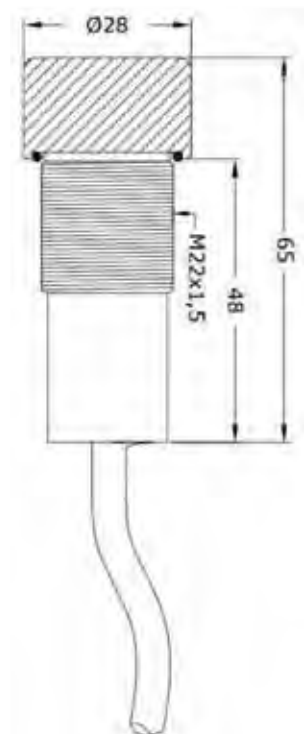


### ITEM REFERENCES

Designation:	Cable length:	Item No.:
AB1-S3 - 1,5	1,5 m	3D0501
AB1-S3 - 3	3 m	3D0502
AB1-S3 - 5	5 m	3D0503
AB1-S3 - 10	10 m	3D0504

### TECHNICAL SPECIFICATIONS

Marking:	II 2G Ex mb IIC T4 Gb II 2D Ex mb IIIC T80°C Db
Certificate:	EU-Type Examination Certificate
Operating temperature:	-40°C to +60°C
Operating voltage:	24 VDC
Power consumption:	max. 30 mA
Prefuse:	63 mA
Frequency:	4300 Hz
Volume:	85 db approx / 40 cm
Electrical connection:	2x0.5 mm <sup>2</sup> , Ø 4.8 mm. Brown = +24 VDC / Blue = 0 V
Housing:	Stainless steel 1.4305
Sealing:	EPDM
Ingress protection:	IP66 / Head IP30
Mounting hole:	22.0 ... 22.3 mm / M22x1,5
Torque:	8 Nm
Max. wall thickness:	1.0 ... 15.0 mm
Weight:	150 g (1,5 m cable version)



A photograph of an industrial facility, likely a refinery or chemical plant, featuring several tall, cylindrical chimneys and a complex network of pipes and scaffolding. The sky is blue with scattered white clouds. A large, semi-transparent grey triangle is overlaid on the top right corner of the image.

**3.3**

**OPTICAL &  
ACOUSTIC  
SIGNALLING**



# SECONDARY TELEPHONE ALARM AND SIGNAL UNIT TWIN EExII

Zones 1, 2

Full catalogue available on our website: [www.inpratex.com](http://www.inpratex.com)

## OPTICAL & ACOUSTIC SIGNALLING

ZONES 1, 2 (gas)



The TWIN-EExII is specially designed for application in potentially explosive indoor or outdoor industrial areas. It offers two different operating modes that can be selected using the sliding switch.

As secondary telephone alarm the TWIN EExII is used to draw attention to incoming phone calls, which are indicated with high volume and additionally signalled by the integrated strobe light. Both signals are actuated by the AC ringing voltage.

The TWIN-EExII is a compact unit comprising power supply, telephone connection, strobe light, amplifier and loud-speaker. The bottom box is made of seawater-resistant cast aluminium coated with plastic.

The loudspeaker consists of impact and cold-resistant plastic and is permanently mounted to the housing. The strobe light cap made of polycarbonat forms the housing cover.



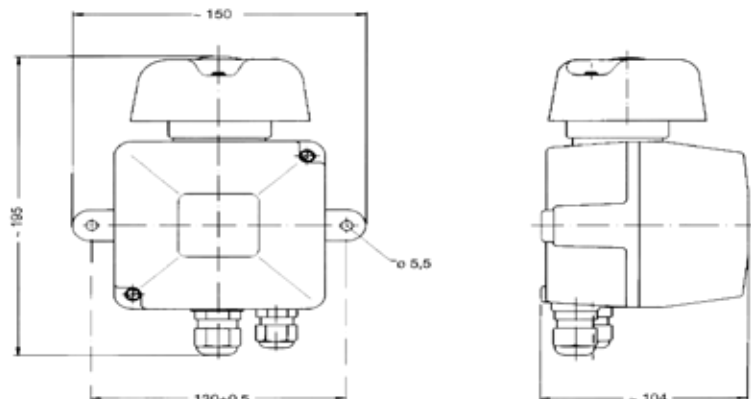
EU-Type Examination Certificate

### ITEM REFERENCES

Model:	Operating range:	Colour:	Item No.:
TWIN-EExII 5842/1	230VAC 50-60 Hz	Clear	2A2001
TWIN-EExII 5842/1	230VAC 50-60 Hz	Red	2A2002
TWIN-EExII 5842/1	230VAC 50-60 Hz	Amber	2A2003
TWIN-EExII 5842/1	230VAC 50-60 Hz	Green	2A2004
TWIN-EExII 5842/1	230VAC 50-60 Hz	Blue	2A2005

### TECHNICAL SPECIFICATIONS

Marking:	II 2G Ex e mb [ib] IIC T6/T5/T4 Gb
Certificate:	EU-Type Examination Certificate
Housing:	Die-cast aluminium, cap made of macrolon
Cover:	Polycarbonate
Ingress protection:	IP66
Operating temperature:	-20°C to +40°C
Telephone connection:	W, Lb   30 VAC ... 75 VAC /23 Hz ... 54 Hz / 0 VDC ... 63 VDC
Acoustic signalling:	Single-tone call/2-tone call/3-tone call Volume: Approx. 90 dB(A), 1 m distance (Only with 230 V network)
Optical signalling:	2 flash tubes, ca. 0,9 joule 1 Hz ... 2 Hz (Only with 230 V network)
Operating position:	Any (wall or ceiling mounting)
Weight:	Approx. 1,5 kg
Cable entries:	1xM20x1.5 cable gland (230 V network)   1xM20x1.5 cable gland (telephone network)



# SB150-1 EX SOUNDER / BEACON - GRP

Zones 1, 2, 21, 22

Full catalogue available on our website: [www.inpratex.com](http://www.inpratex.com)

3



SIGNALLING

## OPTICAL & ACOUSTIC SIGNALLING

ZONES 1, 2 (gas) & 21, 22 (dust)



This combined product is certified for use in ATEX explosive atmosphere, zone 1 & 2 for gas and zone 21 & 22 for dust. It is dedicated for Oil & Gas, chemical, petrochemical, pharmacy industries, marine and offshore applications.

It's designed for corrosive environments and hazardous area.

This sounder, according to user control system, can be set with one tone among 59 prerecorded tones.



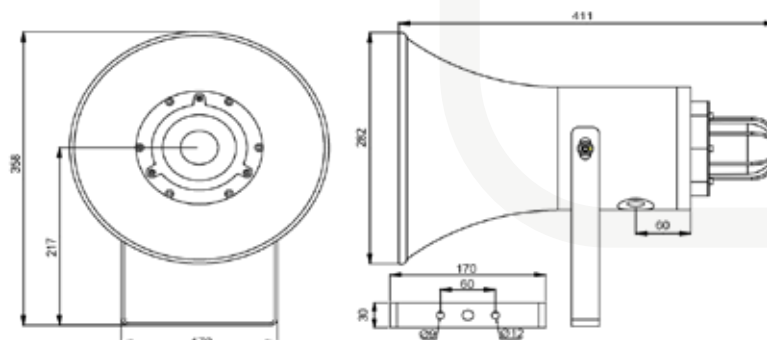
EU-Type Examination Certificate

### ITEM REFERENCES

Model:	Power consumption:	Item No.:
SB 150 12-48 VDC LED 10W Red	12VDC-1100mA / 24VDC-530mA / 48VDC-240 mA	3C0401
SB 150 12-48 VDC LED 10W Amber	12VDC-1100mA / 24VDC-530mA / 48VDC-240 mA	3C0402
SB 150 12-48 VDC LED 10W Blue	12VDC-1100mA / 24VDC-530mA / 48VDC-240 mA	3C0403
SB 150 12-48 VDC LED 10W Green	12VDC-1100mA / 24VDC-530mA / 48VDC-240 mA	3C0404
SB 150 12-48 VDC LED 10W Clear	12VDC-1100mA / 24VDC-530mA / 48VDC-240 mA	3C0405
SB 150 100-240 VAC LED 10W Red	110VAC-160mA / 220VAC-80mA	3C0406
SB 150 100-240 VAC LED 10W Amber	110VAC-160mA / 220VAC-80mA	3C0407
SB 150 100-240 VAC LED 10W Blue	110VAC-160mA / 220VAC-80mA	3C0408
SB 150 100-240 VAC LED 10W Green	110VAC-160mA / 220VAC-80mA	3C0409
SB 150 100-240 VAC LED 10W Clear	110VAC-160mA / 220VAC-80mA	3C0410

### TECHNICAL SPECIFICATIONS

Marking:	II 2G Ex d IIC T4~T6 Gb II 2D Ex tb IIIC T135°C~T85°C
Certificate:	EU-Type Examination Certificate
Housing:	ENCLOSURE: Glass-Reinforced Polyester (GRP)   LENS: Tempered borosilicate glass 3.3   BRACKET: Stainless steel 316L
Housing colour:	Standard: Red (RAL 3001) On request: Black (RAL 9004)   Yellow (RAL 1018)   Blue (RAL 5005)
Operating temperature:	-40°C to +55°C (T6) / -40°C to +60°C (T5) / -40°C to +70°C (T4)
Light intensity:	312 Cd
Consumption:	Adjustable from 5 to 25W (factory setting 20W)
Noise level:	Until 115 dB at 1m
Current consumption:	0,5 to 1 A
Weight:	8 kg
Ingress protection:	IP66/67
Cable entries:	2xM20x1,5 holes



# SB125-1 EX SOUNDER / BEACON - STAINLESS STEEL

Zones 1, 2, 21, 22

Full catalogue available on our website: [www.inpratex.com](http://www.inpratex.com)

## OPTICAL & ACOUSTIC SIGNALLING

ZONES 1, 2 (gas) & 21, 22 (dust)



This combined product is certified for use in ATEX explosive atmosphere, zone 1 & 2 for gas and zone 21 & 22 for dust. It is dedicated for Oil & Gas, chemical, petrochemical, pharmacy industries, marine and offshore applications.

It's designed for corrosive environments and hazardous area.

This sounder, according to user control system, can be set with one tone among 59 prerecorded tones.



EU-Type Examination Certificate

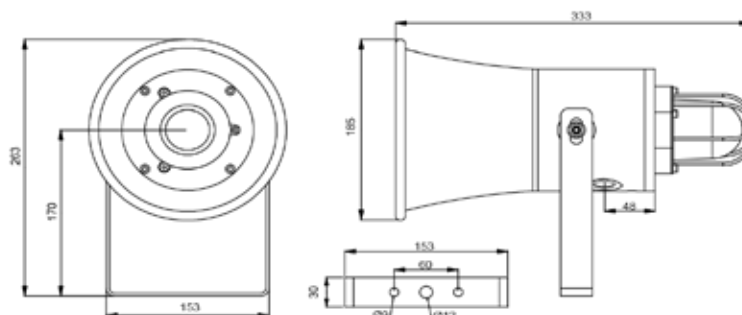
3  
SIGNALLING

### ITEM REFERENCES

Model:	Power consumption:	Item No.:
SB 125 12-48 VDC LED 10W Red	12VDC-1100mA / 24VDC-530mA / 48VDC-240 mA	3C0411
SB 125 12-48 VDC LED 10W Amber	12VDC-1100mA / 24VDC-530mA / 48VDC-240 mA	3C0412
SB 125 12-48 VDC LED 10W Blue	12VDC-1100mA / 24VDC-530mA / 48VDC-240 mA	3C0413
SB 125 12-48 VDC LED 10W Green	12VDC-1100mA / 24VDC-530mA / 48VDC-240 mA	3C0414
SB 125 12-48 VDC LED 10W Clear	12VDC-1100mA / 24VDC-530mA / 48VDC-240 mA	3C0415
SB 125 100-240 VAC LED 10W Red	110VAC-160mA / 220VAC-80mA	3C0416
SB 125 100-240 VAC LED 10W Amber	110VAC-160mA / 220VAC-80mA	3C0417
SB 125 100-240 VAC LED 10W Blue	110VAC-160mA / 220VAC-80mA	3C0418
SB 125 100-240 VAC LED 10W Green	110VAC-160mA / 220VAC-80mA	3C0419
SB 125 100-240 VAC LED 10W Clear	110VAC-160mA / 220VAC-80mA	3C0420

### TECHNICAL SPECIFICATIONS

Marking:	II 2G Ex d IIC T4~T6 Gb II 2D Ex tb IIIC T135°C~T85°C
Certificate:	EU-Type Examination Certificate
Housing:	ENCLOSURE & BRACKET: Stainless steel 316   LENS: Tempered borosilicate glass 3.3
Housing colour:	Standard: Red (RAL 3001) On request: Black (RAL 9004)   Yellow (RAL 1018)   Blue (RAL 5005)
Operating temperature:	-40°C to +55°C (T6) / -40°C to +60°C (T5) / -40°C to +70°C (T4)
Light intensity:	312 Cd
Consumption:	Adjustable from 5 to 25W (factory setting 20W)
Noise level:	Until 115 dB at 1m
Current consumption:	0,5 to 1 A
Weight:	8 kg
Ingress protection:	IP66/67
Cable entries:	2xM20x1,5 holes



# ATEX BBJ81 AUDIO & VISUAL CAUTION SPOTLIGHT FITTINGS

Zones 1, 2, 21, 22

Full catalogue available on our website: [www.inpratex.com](http://www.inpratex.com)

## OPTICAL & ACOUSTIC SIGNALLING

ZONES 1, 2 (gas) & 21, 22 (dust)



Optical-acoustic signalling device specially designed to be installed in hazardous areas.

Ultra-bright LED lamp, low power consumption and long service life.

OPTIONAL: Operating voltage 24 V AC



EU-Type Examination Certificate

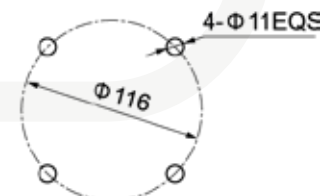
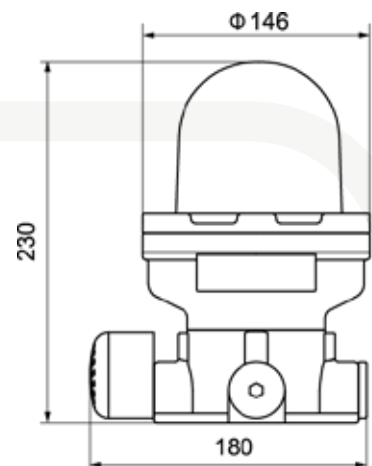


### ITEM REFERENCES

Model:	Lamp colour:	Rated voltage:	Item No.:
BBJ81-R 220	Red	220 - 240V AC   50/60Hz	3C0601
BBJ81-B 220	Blue	220 - 240V AC   50/60Hz	3C0602
BBJ81-Y 220	Yellow	220 - 240V AC   50/60Hz	3C0603
BBJ81-G 220	Green	220 - 240V AC   50/60Hz	3C0604
BBJ81-R 24	Red	24 V DC	3C0605
BBJ81-B 24	Blue	24 V DC	3C0606
BBJ81-Y 24	Yellow	24 V DC	3C0607
BBJ81-G 24	Green	24 V DC	3C0608

### TECHNICAL SPECIFICATIONS

Marking:	II 2G Ex d ib IIC T6 Gb II 2D Ex t IIIC T80°C Db IP66
Certificate:	EU-Type Examination Certificate
Housing:	Copper-free aluminium, yellow (RAL 1021)
Transparent cover:	Toughened glass, stands 4J impact
Exposed fastener:	Stainless steel
Weight:	2,60 kg
Lamp:	LED
Power:	5 W
Flash frequency:	150 times/min
Sound intensity:	100~120 (R=1 m)
Operating temperature:	-40°C to +55°C
Ingress protection:	IP66
Earthing protection:	M5 (internal & external earth bolts)
Terminals:	3 terminals 1,5~2,5 mm <sup>2</sup> (L+N+PE)
Cable entries:	3xM25x1,5 (plugs)







Although the information in this catalog is presented in good faith and believed to be correct at the time of printing, Inpratex makes no representations or warranties as to the completeness or accuracy of the information. All corrections made after printing the catalogue, and the updated data sheets, will be displayed on our website [www.inpratex.com](http://www.inpratex.com).

The purchaser accepts our General Conditions of Sale at the time of receipt of our confirmation and/or the acceptance of the ordered goods or services.





Polígono Industrial de Matsaria, 34  
20600 Eibar (Guipúzcoa) - Spain  
Phone: (+34) 943 530 095 | (+34) 943 530 482  
E-mail: [inpratex@inpratex.com](mailto:inpratex@inpratex.com)