



LIGHTING SOLUTIONS



Polígono Industrial de Matsaria, 34 · 20600 Eibar (Guipúzcoa) · Spain

Phone: (+34) 943 530 095 | (+34) 943 530 482

inpratex@inpratex.com

www.inpratex.com

EXPLOSION PROOF PRODUCTS AND SOLUTIONS FOR HAZARDOUS AREAS.

Equipment supply, Engineering and Manufacturing.

Inpratex provides a wide range of custom-made products and solutions for different industries operating in hazardous and potentially explosive environments.



Inpratex SL is based in Eibar (Gipuzkoa, Spain). We are specialists in supplying equipment, in engineering and in the manufacture of products for industries working in Hazardous Areas.

Our engineering team provides solutions combining the limitations related to the use of the equipment with the potentially dangerous environment in which it must be used.

Inpratex supplies ATEX/IECEx equipment and custom-made solutions for manufacturing and process industries.





1

LIGHTING SOLUTIONS



Inpratex supplies a wide range of high quality lighting equipment certified for use in hazardous areas, both indoors and outdoors. Lighting solutions for industrial spaces in working areas with potentially explosive atmospheres caused by gases, vapours (Zones 1, 2) or dust (Zones 21, 22).

High efficient Ex-proof industrial LED light fittings, emergency lights, floodlights, suspended lamps and, more generally, a range of lighting devices for use in industrial sites, warehouses and storage areas with substances that may present an explosion risk.

Inpratex also proposes portable lighting equipment for use in Hazardous Areas.

1.1 - LIGHT FITTINGS	6
1.2 - EMERGENCY LIGHT FITTINGS	26
1.3 - FLOODLIGHTS & HIGH BAYS	34
1.4 - PORTABLE LAMPS	54

A large industrial refinery or chemical plant is shown at night, illuminated by numerous lights. The sky is a dramatic mix of deep blues, purples, and oranges, suggesting a sunset or sunrise. In the foreground, several large, white cylindrical storage tanks are visible, some with blue decorative patterns at the bottom. The overall scene is a complex of pipes, towers, and structures, all lit up against the dark night.

1.1

LIGHT FITTINGS

LED LIGHT FITTINGS SERIES E865

Zones 1, 2, 21, 22

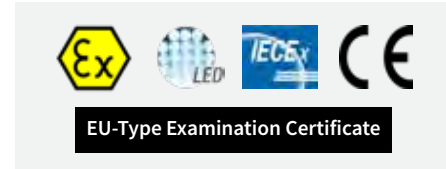
Full catalogue available on our website: www.inpratex.com

LED LIGHT FITTINGS

ZONES 1, 2 (gas) & 21, 22 (dust)

For lighting of hazardous areas zone 1 and 21, the product series e865 is the perfect choice. It excels with its innovative encapsulated LED modules, the sandwich design of diffuser and reflector to protect the LED modules from mechanical and electrostatic damage, as well as homogeneous illumination and excellent glare limitation because of the frosted diffuser (version "F").

High-quality LED and electronic control gears guarantee high efficiency and an extremely long service life. And with the FastFix quick mounting system, installation of the light fittings is easy and saves time. **Option: 4.500K, light colour 845.**



Supplied without mounting brackets.



Looping the cable on one side:

All light fittings of series nD866... have got 2 cable entries on one small side of the housing for cablelooping instead of the through wiring system.

* This light fitting is not suitable for applications in areas with permanent high humidity in combination with only short periods of operation, such as sewage or stormwater retention tanks or water treatment plants.

ITEM REFERENCES



Designation:	Cover:	Power: (substitute for)	Luminous flux:	Luminous efficacy:	T. Max:	Weight:	Item No.:
Standard versions:							
e865F 06L22	Frosted	15 W (2x18W)	2170 lm	145 lm/W	55 °C	4,6 kg	1A330A
e865F 06L42	Frosted	28 W (2x36W)	4120 lm	147 lm/W	55 °C	4,7 kg	1A330B
e865F 06L60	Frosted	40 W (2x58W)	5700 lm	143 lm/W	50 °C	4,7kg	1A330C
e865F 12L42	Frosted	28 W (2x36W)	4360 lm	156 lm/W	55 °C	6,7 kg	1A3301
e865F 12L60	Frosted	40 W (2x58W)	6020 lm	151 lm/W	55 °C	6,7 kg	1A3302
e865F 12L85	Frosted	54 W (>2x58W)	8620 lm	160 lm/W	50 °C	7,0 kg	1A3305
e865 12L42	Clear	28 W (2x36W)	4590 lm	164 lm/W	55 °C	6,7 kg	1A3303
e865 12L60	Clear	40 W (2x58W)	6320 lm	158 lm/W	55 °C	6,7 kg	1A3304
e865 12L85	Clear	54 W (>2x58W)	9010 lm	167 lm/W	50 °C	7,0 kg	1A3306
Dimmable via DALI interface:							
e865F 06L42 DIMD	Frosted	28 W (2x36W)	4120 lm	147 lm/W	55 °C	4,7 kg	1A3307
e865F 06L60 DIMD	Frosted	40 W (2x58W)	5700 lm	143 lm/W	50 °C	4,7 kg	1A3308
e865F 12L42 DIMD	Frosted	28 W (2x36W)	4360 lm	156 lm/W	55 °C	6,7 kg	1A3309
e865F 12L60 DIMD	Frosted	40 W (2x58W)	6020 lm	151 lm/W	55 °C	6,7 kg	1A3310
e865F 12L85 DIMD	Frosted	54 W (>2x58W)	8620 lm	160 lm/W	50 °C	7,0 kg	1A3311
For high temperature (through-wiring or looping the cable is not permissible):							
e865F 06L22 H65	Frosted	15 W (2x18W)	2170 lm	145 lm/W	65 °C	4,6 kg	1A3312
e865F 06L42 H60	Frosted	28 W (2x36W)	4120 lm	147 lm/W	60 °C	4,7 kg	1A3313
e865F 06L60 H55	Frosted	40 W (2x58W)	5700 lm	143 lm/W	55 °C	4,7 kg	1A3314
e865F 12L42 H65	Frosted	28 W (2x36W)	4360 lm	156 lm/W	65 °C	6,7 kg	1A3315
e865F 12L60 H65	Frosted	40 W (2x58W)	6020 lm	151 lm/W	65 °C	6,7 kg	1A3316

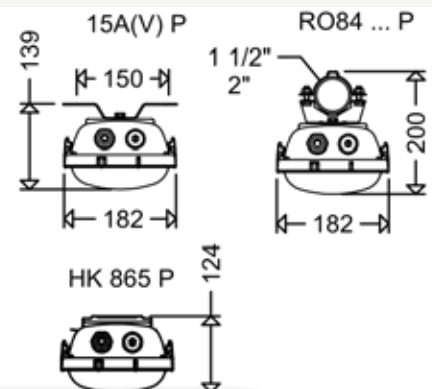
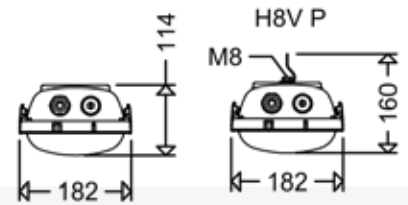
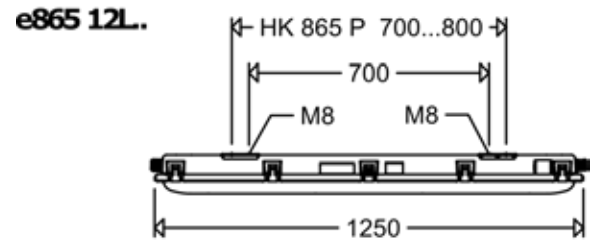
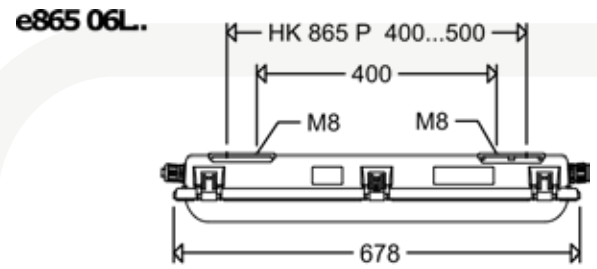
LED LIGHT FITTINGS SERIES E865

Zones 1, 2, 21, 22

Full catalogue available on our website: www.inpratex.com

1
LIGHTING

TECHNICAL SPECIFICATIONS	
Marking:	 II 2G Ex eb mb q IIC T4 Gb  II 2D Ex tb IIIC T80°C Db
Certificate:	EU-Type Examination Certificate
Housing:	Glass fibre reinforced polyester resin.
Cover:	Injected polycarbonate, frosted (F) or clear, silicone gasket.
Closure:	Stainless steel clips (KE), two of them as safety clip (KES), to be opened with screwdriver only.
Reflector:	Sheet Steel, painted, carrying the LED-modules and all electrical components, clipped into the cover, suspendable.
LED:	Line modules with clear cover appr. 6,500K, with frosted cover appr. 6,000K, CRI > 80, service life $L_{90} > 100.000h$ at max. ambient temperature, $L_{90} > 85.000h$ (06L..) at 25°C ambient temperature, $L_{90} > 80.000h$ (12L..) at 25°C ambient temperature
Operating temperature:	-30°C up to .. see Item table
Operating frequency:	0 or 50/60 Hz
Rated voltage:	220-240V AC/DC. Overvoltage, overload and short circuit protection.
Ingress protection:	IP66
Connection:	3 poles up to 4 mm ²
Mechanical installation:	Standard: Facing downwards or forwards. Mounting accessories: see accessories.
Cable entries:	3xM25x1,5 (2 plastic cable glands + 1 plastic plug)



ACCESSORIES	
Designation:	Item No.:
2 suspension brackets, stainless steel	H8V P
2 ceiling brackets, hot galvanized steel	15A P
2 ceiling brackets, stainless steel	15AV P
2 pipe clamps 1 1/2", stainless steel, with support	RO84 112 A P
2 pipe clamps 2", stainless steel, with support	RO84 2 A P
2 retaining clips for variable mounting distances	HK 865 P
2 wall mounting angles	W26 P
2 wall mounting angles 30°	W26/30 P
2 wall mounting angles 45°	W26/45 P

LED LIGHT FITTINGS SERIES E840

Zones 1, 2, 21, 22

Full catalogue available on our website: www.inpratex.com

LED LIGHT FITTINGS

ZONES 1, 2 (gas) & 21, 22 (dust)

Extremely robust and reliable explosion-proof LED light fittings of product series e840. With their high wall thickness of housing and diffuser as well as the high impact resistance of both components, they are able to withstand extreme loads and thus are particularly well suited for use in tough environments.

Frosted elements on the LED modules for glare limitation result in excellent illumination and protect the LED modules from mechanical or electrostatic damage during installation of the light fittings.

The comfortable central locking system saves time and makes installation easier (13mm hex key).



OPTION: Control gear with DALI-interface for dimming (DIMD)

Looping the cable on one side:

All light fittings of series e840... have got 2 cable entries on one small side of the housing for cable looping instead of the through wiring system



EU-Type Examination Certificate

Supplied without mounting brackets.



ITEM REFERENCES

Designation:	Power: (substitute for)	Luminous flux:	Luminous efficacy:	T. Max:	Weight:	Item No.:
e840 06L22	16 W (2x18 W)	2054 lm	128 lm/W	55°C	5,6 kg	1A3804
e840 06L42	28 W (2x36 W)	4067 lm	145 lm/W	55°C	5,7 kg	1A3805
e840 12L42	28 W (2x36 W)	4230 lm	151 lm/W	55°C	8,0 kg	1A3801
e840 12L60	40 W (2x58 W)	5850 lm	146 lm/W	55°C	8,0 kg	1A3802
e840 12L85	54 W (>2x58 W)	8300 lm	154 lm/W	50°C	8,5 kg	1A3803

ACCESSORIES

Designation:	Item No.:
2 suspension brackets, stainless steel	H8V P
2 ceiling brackets, hot galvanized steel	15A P
2 ceiling brackets, stainless steel	15AV P
2 pipe clamps 1 1/2", stainless steel, with support	RO84 112 A P
2 pipe clamps 2", stainless steel, with support	RO84 2 A P
1 pair of brackets, stainless steel, for compensating the different mounting distances	84 AA
2 wall mounting angles	W26/L P
2 wall mounting angles 30°	W26/30 P
2 wall mounting angles 45°	W26/45 P



LED LIGHT FITTINGS SERIES E840

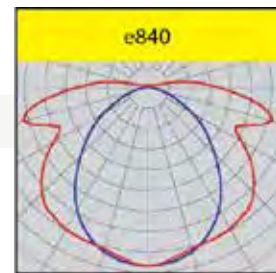
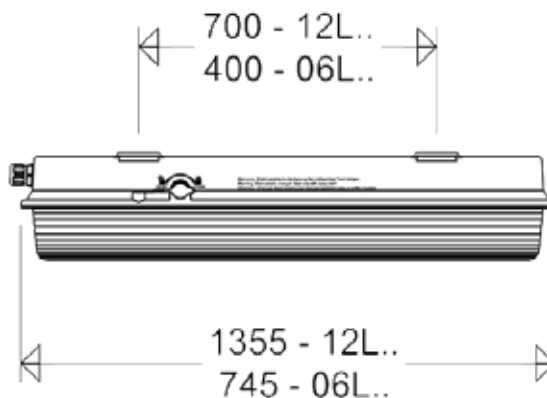
Zones 1, 2, 21, 22

Full catalogue available on our website: www.inpratex.com

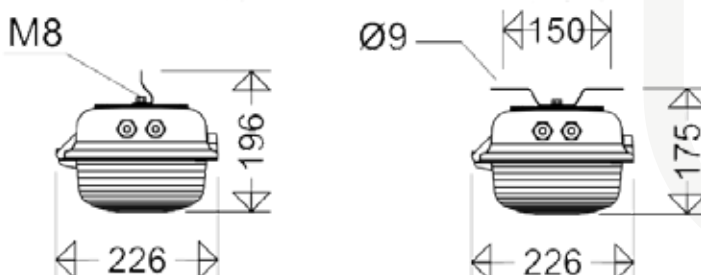
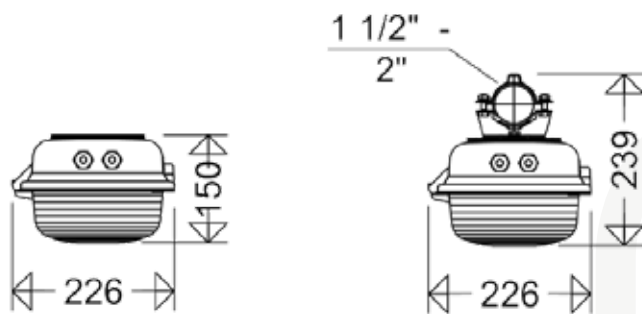
1
LIGHTING

TECHNICAL SPECIFICATIONS

Marking:	 II 2G Ex eb mb op is q IIC T4 Gb  II 2D Ex tb op is IIIC T80°C Db
Certificate:	EU-Type Examination Certificate
Housing:	Glass fibre reinforced polyester RESIN
Cover:	Clear polycarbonate with internal prisms, hinged, silicone gasket.
Reflector:	Aluminium, carrying the encapsulated LED-modules with frosted covers for glare limitation, hingeable and removable.
LED:	Line modules appr. 6,500K, CRI > 80. L70B10 > 100.000h L80B50 > 100.000h (each at max. ambient temperature)
Operating temperature:	-25°C up to .. see Item table
Operating frequency:	0 or 50/60 Hz
Rated voltage:	220/240 VAC
Ingress protection:	IP66
Connection:	3 poles up to 4 mm ²
Mechanical installation:	Standard: Facing downwards or forwards. Mounting accessories see spare parts/ accessories
Cable entries:	3 entries M25x1,5 (2 glands - one of them is plugged)



** This light fitting is not suitable for applications in areas with permanent high humidity in combination with only short periods of operation, such as sewage or stormwater retention tanks or water treatment plants.*



LED LIGHT FITTINGS SERIES E855

Zones 1, 2, 21, 22

Full catalogue available on our website: www.inpratex.com

LED LIGHT FITTINGS

ZONES 1, 2 (gas) & 21, 22 (dust)

Explosion-proof compact LED light fittings.

Housing from glass fibre reinforced polyester. Frosted polycarbonate diffuser.

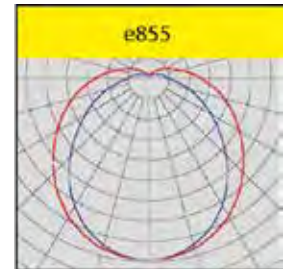
Central locking system (operated by a hexagonal box spanner 13mm.)



EU-Type Examination Certificate



* This light fitting is not suitable for applications in areas with permanent high humidity in combination with only short periods of operation, such as sewage or stormwater retention tanks or water treatment plants.



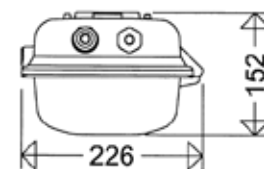
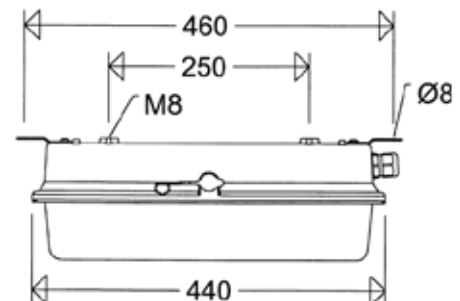
Supplied with mounting brackets. Prepared for looping the mains cable.

ITEM REFERENCES

Designation:	Power: (substitute for)	Luminous flux:	Luminous efficacy:	T. Max:	Weight:	Item No.:
e855F L05	5 W (1x8 W)	510 lm	102 lm/W	60°C	5,0 kg	1A4101
e855F L10	10 W (2x8 W)	1060 lm	106 lm/W	60°C	5,0 kg	1A4102
e855F L20	18 W (2x18 W)	2050 lm	114 lm/W	60°C	5,1 kg	1A4103
e855F L10 DIMD	10 W (2x8 W)	1060 lm	106 lm/W	60°C	5,0 kg	1A4104
e855F L20 DIMD	18 W (2x18 W)	2050 lm	114 lm/W	60°C	5,1 kg	1A4105

TECHNICAL SPECIFICATIONS

Marking:	II 2G Ex eb mb op is q IIC T4 Gb II 2G Ex db eb mb op is q IIC T4 Gb II 2D Ex op is tb IIIC T80°C Db
Certificate:	EU-Type Examination Certificate
Housing:	Glass fibre reinforced polyester
Cover:	Polycarbonate
LED:	Line modules appr. 6,500K, CRI typically 80 L ₇₀ B ₁₀ > 80.000h, L ₈₀ B ₅₀ > 80.000h (each at max. ambient Temp.)
Operating temperature:	-30°C to +60°C
Operating frequency:	50/60 Hz
Rated voltage:	220/240V AC
Ingress protection:	IP66
Connection:	Terminal L1+N+PE; up to 2,5mm ²
Cable entries:	1xM25X1,5 plastic cable gland 1xM25X1,5 plastic plug



ACCESSORIES

Designation:	Item No.:
2 suspension brackets, stainless steel	H8V P
2 ceiling brackets, hot galvanized steel	15A P
2 ceiling brackets, stainless steel	15AV P
2 pipe clamps 1 1/2", stainless steel, with support	RO84 112 A P
2 pipe clamps 2", stainless steel, with support	RO84 2 A P
2 retaining clips for variable mounting distances	HK 865 P
2 wall mounting angles	W26 P
2 wall mounting angles 30°	W26/30 P
2 wall mounting angles 45°	W26/45 P

TUBULAR LED LIGHT FITTINGS SERIES EVF..RUN

Zones 1, 2, 21, 22

Full catalogue available on our website: www.inpratex.com

LED LIGHT FITTINGS

ZONES 1, 2 (gas) & 21, 22 (dust)



The ATEX lighting fixtures series EVF..RUN for Ø 26 mm LED lamps are supplied completed with electronic ballast, starter and fuses interconnected. They are characterized by a tubular thermo-insulating borosilicate glass.

Supplied brackets can be used for ceiling installation.

External reflector (not included in the standard equipment) can be installed on site.

External screws are made of Stainless Steel.



EU-Type Examination Certificate

ITEM REFERENCES

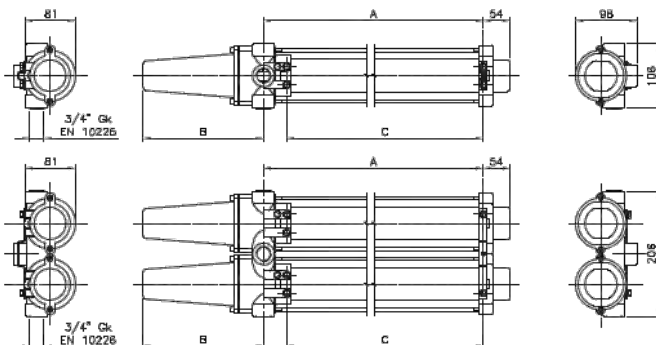
Designation:	Power:	Luminous flux:	Item No.:
EVFC..18RUNLT	1x7.6 W	800 lm	1A4601
EVFC 2..18RUNLT	2x7.6 W	1600 lm	1A4602
EVFC..36RUNLT	1x15 W	1800 lm	1A4603
EVFC 2..36RUNLT	2x15 W	3600 lm	1A4604

TECHNICAL SPECIFICATIONS

Marking:	II 2G Ex d IIC T6-T4 Gb II 2D Ex tb IIIC T80°C-T130°C Db
Certificate:	EU-Type Examination Certificate
Housing:	Aluminium light alloy (RAL 9006)
Cover:	Tubular thermo-insulating borosilicate glass
Lamp:	Ø26 mm LED lamp with bipin plugs at 230 V (included)
Operating temperature:	-20°C to +40°C
Ingress protection:	IP66/67
Cable entries:	2x3/4" NPT (cable glands not included)

ACCESSORIES

Designation:	Item No.:
External reflector for EVF 118	EVF 12/8
External reflector for EVF 218	EVF 22/8
External reflector for EVF 136	EVF 14/8
External reflector for EVF 236	EVF 24/8



DIMENSIONS

CODE	A	B	C
EVFC..18RUNLT	610	205	573
EVFC 2..18RUNLT	610	205	573
EEVFC..36RUNLT	1210	205	1173
EVFC 2..36RUNLT	1210	205	1173

LED LIGHT FITTINGS EXP 83 MLED

Zones 1, 2, 21, 22

Full catalogue available on our website: www.inpratex.com

LED LIGHT FITTINGS

ZONES 1, 2 (gas) & 21, 22 (dust)



Explosion-proof LED luminaire, ideal for installations in offshore environments.

Housing in stainless steel.

Clear polycarbonate diffuser.



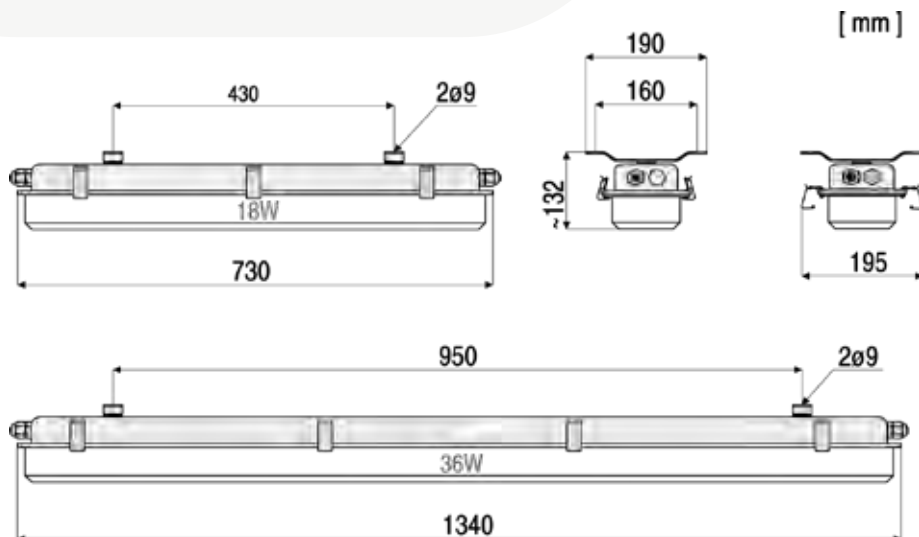
EU-Type Examination Certificate

ITEM REFERENCES

Designation:	Power:	Rated voltage:	Luminous flux:	Weight:	Item No.:
EXP 83-MLED/220/125/DO/S	25 W	110-254 VAC	2349 lm	4,9 kg	1A4301
EXP 83-MLED/240/150/DO/S	50 W	220-250 VAC	4673 lm	7,5 kg	1A4302

TECHNICAL SPECIFICATIONS

Marking:	II 2G Ex db eb mb IIC T4 Gb II 2D Ex tb IIIC T60°/65°C IP66/IP67 Db
Certificate:	EU-Type Examination Certificate
Operating conditions:	Indoor / Outdoor. Offshore environments
Housing:	Stainless steel 304
Cover:	Polycarbonate
LED:	4000K. LED panel with opal cover. > 50.000h
Operating temperature:	-35°C to +40°C
Operating frequency:	50/60 Hz
Ingress protection:	IP66/67
Mounting:	2 brackets with 2 mounting holes Ø9 mm
Connection:	2 x /3x4 mm ² /
Cable entries:	2xM20x1,5 plastic cable gland, 2xM20x1,5 plastic plug



LED-STEEP ROOF LIGHT FITTINGS SERIES E821

Zones 1, 2, 21, 22

Full catalogue available on our website: www.inpratex.com

LED LIGHT FITTINGS

ZONES 1, 2 (gas) & 21, 22 (dust)



EU-Type Examination Certificate

Supplied without mounting brackets

Explosion-protected LED steep roof light fitting for use in ATEX Zones 1,21.

Powder-coated sheet steel housing, frameless hinged tempered safety glass pane. Central locking system with opposite internal hinges, silicone gasket.

Sheet steel reflector, white powder coated, hingeable and detachable, with encapsulated LED modules and frosted covers for glare limitation.

Encapsulated ECG with overvoltage, overload and short circuit protection.

Central locking system operated by a 5mm allen key, hinges on the opposite side.


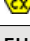
Looping the cable on one side:

All light fittings of series e821... have 2 cable entries on one small side of the housing for cable looping instead of the through wiring system. (3-pole looping standard, 5-pole looping at additional cost)

ITEM REFERENCES

Designation:	Power (substitute for):	Luminous flux:	Luminous efficacy:	T. max.:	Weight:	Item No.:
e821 06L42	28 W (2x36W)	4110 lm	147 lm/W	55 °C	7,9 kg	1A4401
e821 06L60	40 W (2x58W)	5600 lm	140 lm/W	55 °C	7,9 kg	1A4402
e821 12L42	28 W (2v36W)	4260 lm	152 lm/W	55 °C	13,6 kg	1A4403
e821 12L60	40 W (2x58W)	5900 lm	148 lm/W	55 °C	14,0 kg	1A4404
e821 12L85	54 W (>2x58W)	8350 lm	155 lm/W	55 °C	14,0 kg	1A4405
e821 12L120	79 W (>3x58W)	11470 lm	145 lm/W	55 °C	14,0 kg	1A4406

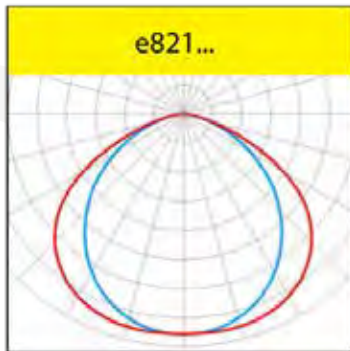
TECHNICAL SPECIFICATIONS

Marking:	 II 2G Ex eb mb q IIC T4 Gb  II 2D Ex tb IIIC T80°C Db
Certificate:	EU-Type Examination Certificate
Housing:	Sheet steel, powder coated in light grey (RAL 7035), silicone foam gasket
Cover:	Impact resistant safety glass pane, frameless / hinged.
LED:	Line modules approx. 6500K. CRI > 80, L70B10 > 100.000h L80B50 > 100.000h L90B50 > 50.000h (each at max. ambient temperature)
Operating temperature:	-30°C to +55°C (The values given are for versions with through wiring)
Operating frequency:	0 or 50/60 Hz
Rated voltage:	220/240V AC/DC
Ingress protection:	IP65
Connection:	3 poles up to 4 mm ²
Cable entries:	3xM25 x 1,5 (2 plastic cable glands - one of them is plugged)

LED-STEEP ROOF LIGHT FITTINGS SERIES E821

Zones 1, 2, 21, 22

Full catalogue available on our website: www.inpratex.com

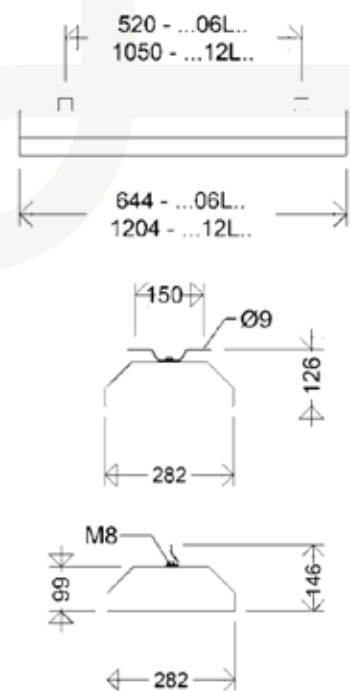


Note: This light fitting is not suitable for application in areas with permanent high humidity in combination with only short periods of operation, such as sewage or stormwater retention tanks or water treatment plants.

ACCESSORIES	
Designation:	Item No.:
2 suspension eyes, stainless steel	H8V P
2 ceiling brackets, hot galvanized steel	15A P
2 ceiling brackets, stainless steel	15AV P
2 wall/ceiling angle, steel	WD 45 P

Light fittings of series e821... can be equipped with a frame even at a later stage. Mounting by means of M5 bolts to the long sides of the housing (see drawing).

Attention: When planning the opening for recess installation please allow additional clearance for the cable glands.



FRAME FOR RECESSED INSTALLATION							
Designation:	a	b	c	d	e	f	Item No.:
Frame for narrow housing, e821 06L, nD822 06L	302	660	710	55	300	348	EB 82. 06L
Frame for narrow housing, e821 12L, nD822 12L	302	1224	1270	125	340	348	EB 82. 12L



LED LIGHTING FIXTURES SERIES EVL

Zones 1, 2, 21, 22

Full catalogue available on our website: www.inpratex.com

OVAL SHAPED LIGHT FITTINGS

ZONES 1, 2 (gas) & 21, 22 (dust)



EU-Type Examination Certificate

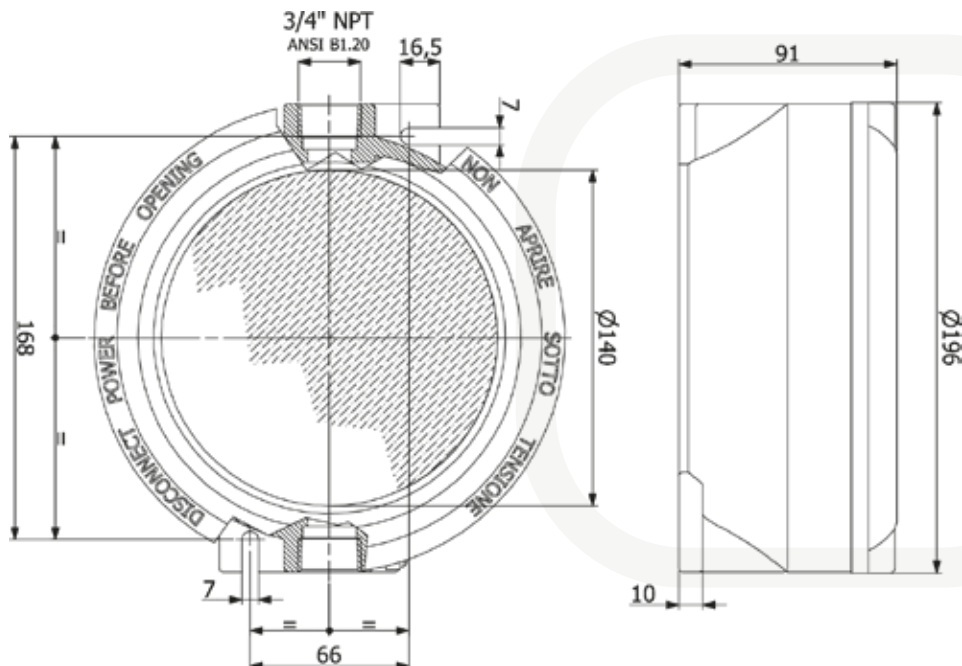
Explosion-proof compact unit for use in tunnels, boiler rooms, rooms with low ceilings, narrow deposits and in all places where space does not permit the use of traditional light fittings.

ITEM REFERENCES

Designation:	Power:	Voltage:	Luminous flux:	Color:	Item No.:
EVL 12 24 D	12 W	24 V DC	1150 lm	White / 6000 K	1J0301
EVL 12 230 A	12 W	100-230 V AC/DC	1150 lm	White / 6000 K	1J0302

TECHNICAL SPECIFICATIONS

Marking:	II 2G Ex d IIC T6-T4 Gb II 2D Ex tb IIIC T85°C-T135°C Db
Certificate:	EU-Type Examination Certificate
Housing:	Aluminium light alloy
Cover:	Tempered safety glass
Weight:	2,7 kg
Operating temperature:	-20°C to +40°C
Ingress protection:	IP66/67
Cable entries:	2x3/4" NPT (cable glands not included)



LED CEILING/WALL MOUNTING LIGHT FITTING SERIES E9312

Zones 1, 2, 21, 22

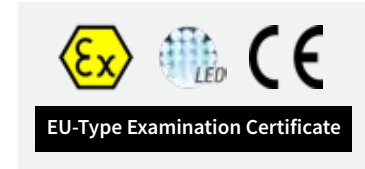
Full catalogue available on our website: www.inpratex.com

OVAL SHAPED LIGHT FITTINGS

ZONES 1, 2 (gas) & 21, 22 (dust)

Small, explosion-protected light fitting for the illumination of hard-to-reach areas, areas with confined space conditions or with minimal requirements for illuminance. This LED ceiling or wall-mounted ATEX light fitting is a robust, compact, left natural device.

His outer fixing points allow easy installation. Furthermore, the frosted impact-resistant PC cover ensures glare-free and homogeneous illumination and, in combination with the sturdy wire guard, protects the light fitting against accidental damage.

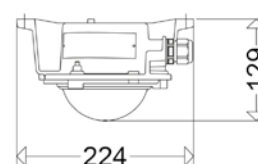
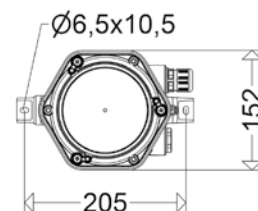
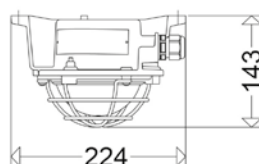
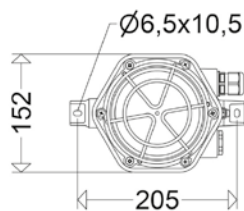


ITEM REFERENCES

Designation:	Power:	Voltage:	Luminous flux:	Luminous efficacy:	Weight:	Item No.:
e9312F SK (wire guard)	11 W	220-240V AC/DC	600 lm	55 lm/W	1,3 kg	1J0401
e9312F					1,2 kg	1J0402

TECHNICAL SPECIFICATIONS

Marking:	II 2 G Ex eb mb IIC T4 Gb II 2 D Ex tb IIIC T80 °C Db
Certificate:	EU-Type Examination Certificate
Housing:	Diecast aluminium, unpainted
Cover:	Polycarbonate, frosted
Wire guard:	Galvanised steel
Mounting:	2 cast on brackets for wall or ceiling mounting
LED:	6,500K, CRI typically 80 lifetime $L_{70} > 100.000h$ at max. ambient temperature
Operating temperature:	-25°C to +40°C
Rated voltage:	220-240V AC/DC, 0 or 50/60Hz
Ingress protection:	IP66
Connection:	3 poles up to 2,5 mm ²
Cable entries:	1xM25 x 1,5 plastic cable glands (7-17 mm) 1xM25 x 1,5 plastic plug



KE-LED-EX 5018 TUBE LUMINAIRE 360°

Zones 1, 2, 21, 22

Full catalogue available on our website: www.inpratex.com

LED LIGHT FITTINGS

ZONES 1, 2 (gas) & 21, 22 (dust)

The ATEX LED 360° tube luminaire is ideal for illuminating work in explosion-proof areas, such as cleaning work in tanks or silos.

The integrated diffuser foil ensures a glare-free and homogeneous light. Thanks to the optionally available accessories, the light is suitable for permanent or temporary installation.

- Circular LED light source of 360°
- 18x POWER LEDs | 6500K
- Polycarbonate protective tube
- Integrated diffuser film
- Electronic ballast with special protection
- Aluminium end fittings



EU-Type Examination Certificate



Silo suspension optional

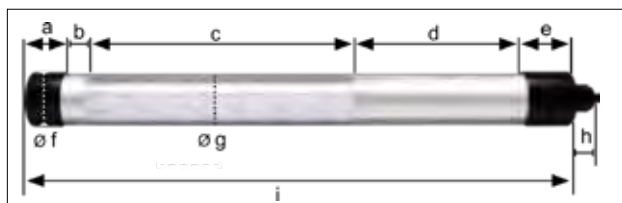


ITEM REFERENCES

Designation:	Power:	Luminous flux:	Colour T.:	Weight:	Item No.:
EX 5018 Tube Luminaire	10 W	1000 lm	6500K	1,5 kg	1D0602

TECHNICAL SPECIFICATIONS

Marking:	II 2G Ex eb mb o is IIC T4 Gb II 2D Ex tb op is IIIC T105° Db
Certificate:	EU-Type Examination Certificate
Operating temperature:	-20°C to +40°C
Rated voltage:	24V AC/DC
Current:	0,33 A
Power:	10 W
LED 360°:	18x POWER LED Colour Rendering Index >70 Lifetime >50.000h
Protection class:	III
Ingress protection:	IP68-50m/5h
Protective tube:	Polycarbonat
Impact resistance:	IK10
Integrated diffuser film:	Yes
Energy efficiency class:	F
Cable:	10m H07RN-F 2x1 mm ²



DIMENSIONS

a	b	c	d	e	f	g	h	i
35	45	225	175	45	53	50	20	525

ACCESSORIES

Designation:	Item No.:
Silo suspension	AS-EX 5018
Mounting bracket with lock	BFK D50 EX
Permanent magnet with mounting bracket	KM 50 EX-KL
Antistatic protective film to protect the polycarbonate tube	SFO-EX 5018



LED LIGHT FITTINGS SERIES ND866

Zones 2, 22

Full catalogue available on our website: www.inpratex.com

LED LIGHT FITTINGS

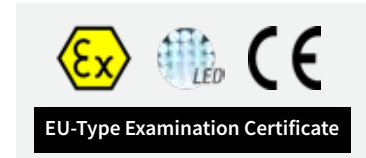
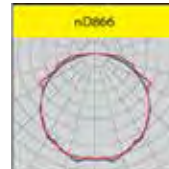
ZONES 2 (gas) & 22 (dust)

The product series nD866 is the perfect solution for the illumination of hazardous areas zone 2 and 22. Suitable in high ambient temperatures up to +65°C, it excels with its innovative sandwich design of diffuser and reflector to protect the LED modules from mechanical or electrostatic damage, as well as homogeneous illumination and excellent glare limitation with the frosted diffuser (version "F").

High-quality LED modules and electronic control gears guarantee high efficiency and an extremely long service life.



Supplied without mounting brackets.



Looping the cable on one side:

All light fittings of series nD866... have got 2 cable entries on one small side of the housing for cablelooping instead of the through wiring system.

* This light fitting is not suitable for applications in areas with permanent high humidity in combination with only short periods of operation, such as sewage or stormwater retention tanks or water treatment plants.

ITEM REFERENCES

Designation:	Cover:	Power: (substitute for)	Luminous flux:	Luminous efficacy:	T. Max:	Weight:	Item No.:
Standard versions:							
nD866F 06L22	Frosted	15 W (2x18W)	2170 lm	145 lm/W	40 °C	3,3 kg	1A340A
nD866F 06L42	Frosted	28 W (2x36W)	4120 lm	147 lm/W	40 °C	3,4 kg	1A340B
nD866F 06L60	Frosted	40 W (2x58W)	5700 lm	143 lm/W	40 °C	3,4 kg	1A340C
nD866F 12L42	Frosted	28 W (2x36W)	4360 lm	156 lm/W	40 °C	5,4 kg	1A3401
nD866F 12L60	Frosted	40 W (2x58W)	6020 lm	151 lm/W	40 °C	5,4 kg	1A3402
nD866F 12L85	Frosted	54 W (>2x58W)	8620 lm	160 lm/W	40 °C	5,5 kg	1A3405
nD866 12L42	Clear	28 W (2x36W)	4590 lm	164 lm/W	40 °C	5,4 kg	1A3403
nD866 12L60	Clear	40 W (2x58W)	6320 lm	158 lm/W	40 °C	5,4 kg	1A3404
nD866 12L85	Clear	54 W (>2x58W)	9010 lm	167 lm/W	40 °C	5,5 kg	1A3406
Dimmable via DALI interface:							
nD866F 06L42 DIMD	Frosted	28 W (2x36W)	4120 lm	147 lm/W	40 °C	3,4 kg	1A3411
nD866F 06L60 DIMD	Frosted	40 W (2x58W)	5700 lm	143 lm/W	40 °C	3,4 kg	1A3412
nD866F 12L42 DIMD	Frosted	28 W (2x36W)	4360 lm	156 lm/W	40 °C	5,4 kg	1A3413
nD866F 12L60 DIMD	Frosted	40 W (2x58W)	6020 lm	151 lm/W	40 °C	5,4 kg	1A3414
nD866F 12L85 DIMD	Frosted	54 W (>2x58W)	8620 lm	160 lm/W	40 °C	5,5 kg	1A3415
For high temperature (through-wiring or looping the cable is not permissible):							
nD866F 12L42 H65	Frosted	28 W (2x36W)	4360 lm	156 lm/W	65 °C	5,4 kg	1A3407
nD866F 12L60 H60	Frosted	40 W (2x58W)	6020 lm	151 lm/W	60 °C	5,4 kg	1A3408
nD866 12L42 H65	Clear	28 W (2x36W)	4360 lm	156 lm/W	65 °C	5,4 kg	1A3409
nD866 12L60 H60	Clear	40 W (2x58W)	6020 lm	151 lm/W	60 °C	5,4 kg	1A3410
Recommended version for outdoor lighting (4000K, Ra 70, FHS < 5%)							
nD866F 12L42 740 FHS 2,8%	Frosted	28 W (2x36W)	4360 lm	156 lm/W	40 °C	5,4 kg	1A3416
nD866 12L60 740 FHS 0,35%	Clear	40 W (2x58W)	6320 lm	151 lm/W	40 °C	5,4 kg	1A3420
nD866 12L85 740 FHS 1,7%	Clear	54 W (>2x58W)	9010 lm	160 lm/W	40 °C	5,5 kg	1A3421


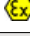
LED LIGHT FITTINGS SERIES ND866

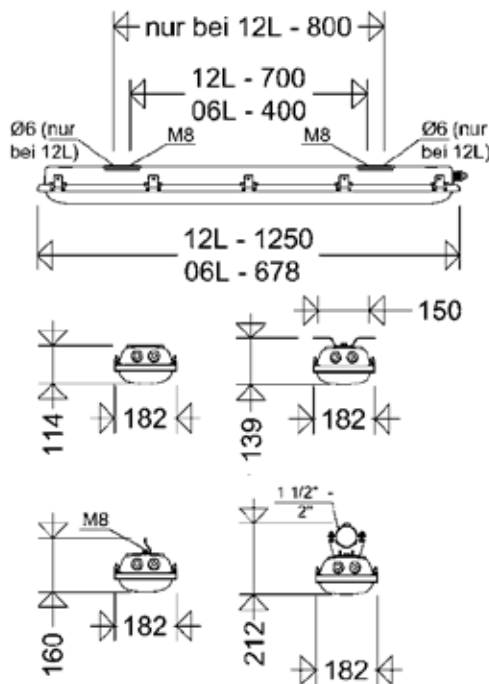
Zones 2, 22

Full catalogue available on our website: www.inpratex.com

1
LIGHTING

TECHNICAL SPECIFICATIONS

Marking:	 II 3G Ex ec IIC T4 Gc  II 3D Ex tc IIIC T80°C Dc
Certificate:	EU-Type Examination Certificate
Housing:	Glass fibre reinforced polyester resin. Stainless steel clips (KE), two of them as safety clip (KES), to be opened with screwdriver only.
Cover:	Injected polycarbonate, frosted (F) or clear, silicone gasket.
Reflector:	Sheet Steel, painted, carrying the LED-modules and all electrical components, clipped into the cover, suspendable.
Impact protection:	IK 10 (at the temperature of +25°C)
LED:	Line modules 5,000K. CRI > 80 lifetime L80 > 100.000h at max. ambient temperature L ₉₀ > 80.000h (06L..), L ₉₀ > 90.000h (12L..) at 25°C ambient temperature
Operating temperature:	-30°C up to .. see Item table
Operating frequency:	0 or 50/60 Hz
Rated voltage:	220-240V AC/DC. Overvoltage, overload and short circuit protection.
Ingress protection:	IP66
Connection:	3 poles up to 2,5 mm ²
Mechanical installation:	Standard: Facing downwards or forwards. Direct ceiling mounting is possible. Rubber washers are included. Further mounting options see accessories
Cable entries:	2xM25X1,5 plastic cable glands 1xM25X1,5 plastic plugs



ACCESSORIES

Designation:	Item No.:
2 suspension brackets, stainless steel	H8V P
2 ceiling brackets, hot galvanized steel	15A P
2 ceiling brackets, stainless steel	15AV P
2 pipe clamps 1 1/2", stainless steel, with support	R084 112 A P
2 pipe clamps 2", stainless steel, with support	R084 2 A P
2 retaining clips for variable mounting distances	HK 865 P
2 wall mounting angles	W26 P
2 wall mounting angles 30°	W26/30 P
2 wall mounting angles 45°	W26/45 P

COMPACT LIGHT FITTINGS SERIES ND8611-LED

Zones 2, 22

Full catalogue available on our website: www.inpratex.com

LED LIGHT FITTINGS

ZONES 2 (gas) & 22 (dust)



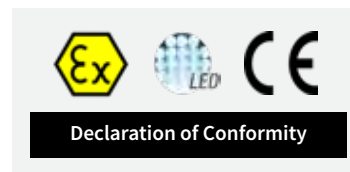
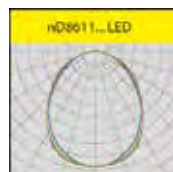
Compact LED Light Fitting ideal for permanent lighting in confined spaces in areas at risk of explosion.

Robust fitting for rough environment.

Perfect by strained field conditions.

Homogeneous illumination by using frosted diffusers, comfortable perception of light.

Fast mounting through external mounting grounding clips.



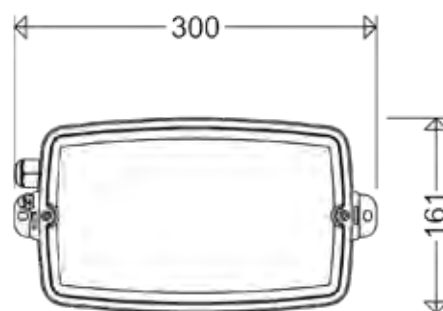
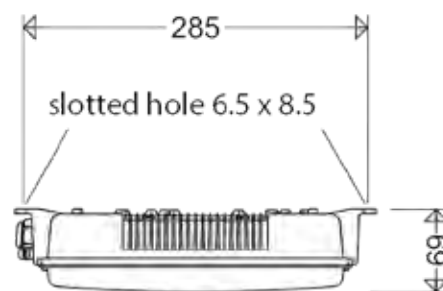
1
LIGHTING

ITEM REFERENCES

Designation:	Power consumption:	Luminous flux:	Luminous efficacy:	Weight:	Item No.:
nD8611 L02 W	4W	150 lm	38 lm/W	0,8 kg	1A2305

TECHNICAL SPECIFICATIONS

Marking:	II 3G Ex nR IIC T4 Gc II 3D Ex tc IIIC T80°C Dc
Certificate:	Declaration of Conformity
Operating conditions:	Indoor / Outdoor
Housing:	Diecast aluminium, natural finish
Cover:	Polycarbonate opalescent white
LED:	Linear module 6.500K, CRI > 80, L80 > 50.000h at max. ambient temperature
Operating temperature:	-20°C a +40°C
Operating frequency:	50/60 Hz
Rated voltage:	220-240 V AC
Ingress protection:	IP65
Connection terminals:	3 or 4 poles, clamping range max. 2,5mm ² .
Cable entries:	1xM20x1,5 plastic cable gland



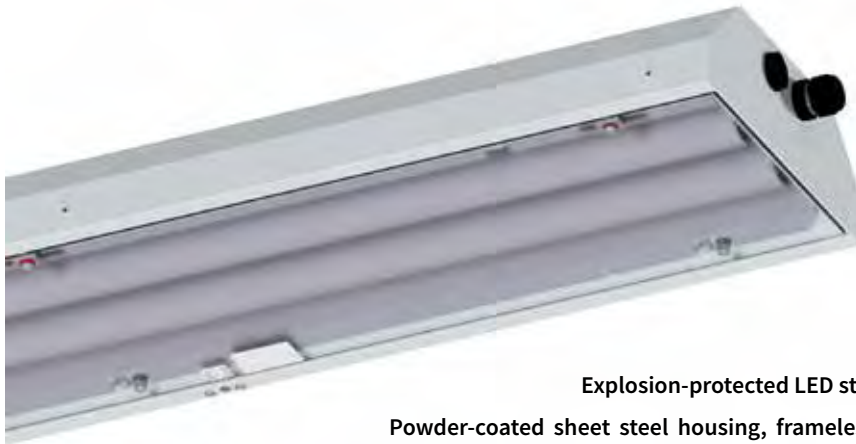
LED-STEEP ROOF LIGHT FITTINGS SERIES ND822

Zones 2, 22

Full catalogue available on our website: www.inpratex.com

LED LIGHT FITTINGS

ZONES 2 (gas) & 22 (dust)



Declaration of Conformity

Supplied without mounting brackets

Explosion-protected LED steep roof light fitting for use in ATEX Zones 2,22.

Powder-coated sheet steel housing, frameless hinged tempered safety glass pane. Central locking system with opposite internal hinges, silicone gasket.

Sheet steel reflector, white powder coated, hingeable and detachable, with encapsulated LED modules and frosted covers for glare limitation.

Encapsulated ECG with overvoltage, overload and short circuit protection.

Central locking system operated by a 5mm allen key, hinges on the opposite side.



Looping the cable on one side:

All light fittings of series nD822... have 2 cable entries on one small side of the housing for cable looping instead of the through wiring system. (3-pole looping standard, 5-pole looping at additional cost)

ITEM REFERENCES

Designation:	Power (substitute for):	Luminous flux:	Luminous efficacy:	T. max.:	Weight:	Item No.:
nD822 06L42	28 W (2x36W)	4110 lm	147 lm/W	40 °C	7,9 kg	1A4501
nD822 06L60	40 W (2x58W)	5600 lm	140 lm/W	40 °C	7,9 kg	1A4502
nD822 12L42	28 W (2v36W)	4260 lm	152 lm/W	40 °C	13,6 kg	1A4503
nD822 12L60	40 W (2x58W)	5900 lm	148 lm/W	40 °C	14,0 kg	1A4504
nD822 12L85	54 W (>2x58W)	8350 lm	155 lm/W	40 °C	14,0 kg	1A4505
nD822 12L120	79 W (>3x58W)	11470 lm	145 lm/W	40 °C	14,0 kg	1A4506

TECHNICAL SPECIFICATIONS

Marking:	 II 3G Ex ec IIC T4 Gc  II 3D Ex tc IIIC T80°C Dc
Certificate:	Declaration of conformity
Housing:	Sheet steel, powder coated in light grey (RAL 7035), silicone foam gasket
Cover:	Impact resistant safety glass pane, frameless / hinged.
LED:	Line modules approx. 5000K. CRI > 80, L70B10 > 100.000h L80B50 > 100.000h L90B50 > 50.000h (each at max. ambient temperature)
Operating temperature:	-30°C to +40°C
Operating frequency:	0 or 50/60 Hz
Rated voltage:	220/240V AC/DC
Ingress protection:	IP65
Connection:	3 poles up to 4 mm ²
Cable entries:	3xM25 x 1,5 (2 plastic cable glands - one of them is plugged)



LED-STEEP ROOF LIGHT FITTINGS SERIES ND822

Zones 2, 22

Full catalogue available on our website: www.inpratex.com

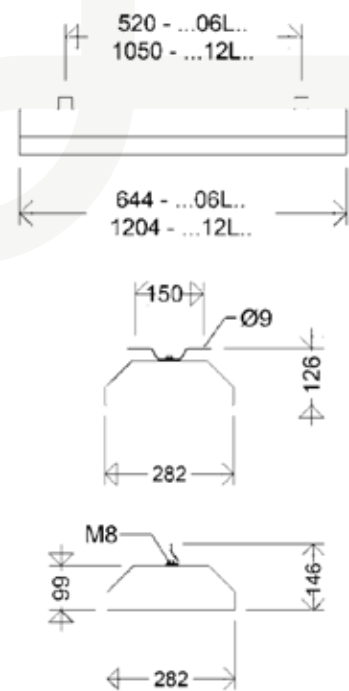


Note: This light fitting is not suitable for application in areas with permanent high humidity in combination with only short periods of operation, such as sewage or stormwater retention tanks or water treatment plants.

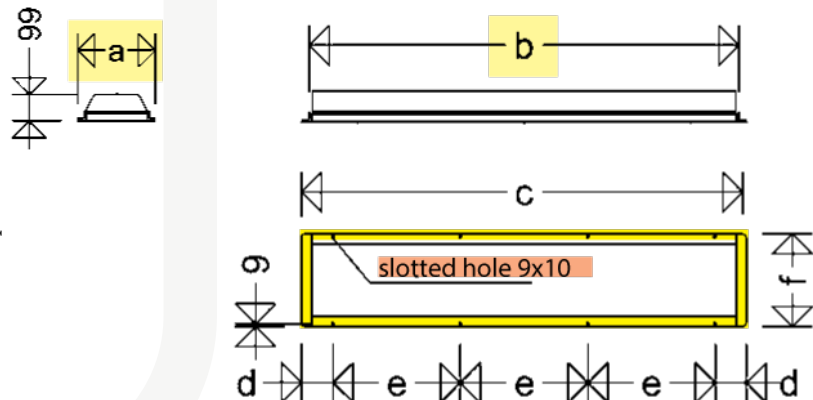
ACCESSORIES	
Designation:	Item No.:
2 suspension eyes, stainless steel	H8V P
2 ceiling brackets, hot galvanized steel	15A P
2 ceiling brackets, stainless steel	15AV P
2 wall/ceiling angle, steel	WD 45 P

Light fittings of series nD822... can be equipped with a frame even at a later stage. Mounting by means of M5 bolts to the long sides of the housing (see drawing).

Attention: When planning the opening for recess installation please allow additional clearance for the cable glands.



FRAME FOR RECESSED INSTALLATION							
Designation:	a	b	c	d	e	f	Item No.:
Frame for narrow housing, e821 06L, nD822 06L	302	660	710	55	300	348	EB 82. 06L
Frame for narrow housing, e821 12L, nD822 12L	302	1224	1270	125	340	348	EB 82. 12L



ATEX LED LINE

Zones 2, 22

Full catalogue available on our website: www.inpratex.com

EX LED LIGHT FITTINGS

ZONES 2 (gas) & 22 (dust)



Industrial LED light fitting, suitable for operation in hazardous areas.

High degree of protection IP66/68.

Aluminum enclosure with mounting slots.

Epoxy resin diffuser.

Color temperature 4000K

Non-replaceable cable.

Cable options 5 and 10 m.

Other lengths on request.



EU-Type Examination Certificate

More information: www.ATEX LED LINE.com

ITEM REFERENCES

Designation:	Length A:	Cable length:	Power::	Luminous flux:	Item No.:
ATEX LED LINE 205	200 mm	5 m	1 W	77 lm	1A4801
ATEX LED LINE 210	200 mm	10 m	1 W	77 lm	1A4802
ATEX LED LINE 305	300 mm	5 m	2 W	152 lm	1A4803
ATEX LED LINE 310	300 mm	10 m	2 W	152 lm	1A4804
ATEX LED LINE 405	400 mm	5 m	3 W	220 lm	1A4805
ATEX LED LINE 410	400 mm	10 m	3 W	220 lm	1A4806
ATEX LED LINE 505	500 mm	5 m	4 W	311 lm	1A4807
ATEX LED LINE 510	500 mm	10 m	4 W	311 lm	1A4808
ATEX LED LINE 605	600 mm	5 m	5 W	385 lm	1A4809
ATEX LED LINE 610	600 mm	10 m	5 W	385 lm	1A4810
ATEX LED LINE 705	700 mm	5 m	6 W	458 lm	1A4811
ATEX LED LINE 710	700 mm	10 m	6 W	458 lm	1A4812
ATEX LED LINE 805	800 mm	5 m	7 W	523 lm	1A4813
ATEX LED LINE 810	800 mm	10 m	7 W	523 lm	1A4814
ATEX LED LINE 905	900 mm	5 m	8 W	623 lm	1A4815
ATEX LED LINE 910	900 mm	10 m	8 W	623 lm	1A4816
ATEX LED LINE 1005	1000 mm	5 m	9 W	675 lm	1A4817
ATEX LED LINE 1010	1000 mm	10 m	9 W	675 lm	1A4818
ATEX LED LINE 1105	1100 mm	5 m	10 W	770 lm	1A4819
ATEX LED LINE 1110	1100 mm	10 m	10 W	770 lm	1A4820
ATEX LED LINE 1205	1200 mm	5 m	11 W	825 lm	1A4821
ATEX LED LINE 1210	1200 mm	10 m	11 W	825 lm	1A4822
ATEX LED LINE 1305	1300 mm	5 m	12 W	899 lm	1A4823
ATEX LED LINE 1310	1300 mm	10 m	12 W	899 lm	1A4824



Options:

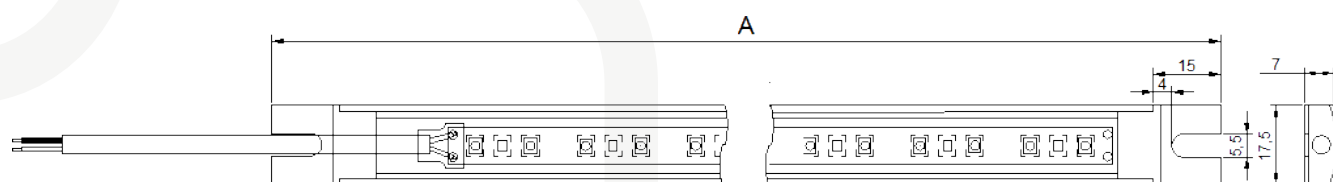
Colors: Red | Green | Blue (on request)

Configuration: Luminaires connected in series (on request)

Other options on request

TECHNICAL SPECIFICATIONS

Marking:	 II 3G Ex mc IIC T6 Gc  II 3D Ex mc IIIC T85°C Dc
Certificate:	EU-Type Examination Certificate
Application:	Industrial
Housing:	Aluminum, RAL 9010
LED:	5000h L80B10 8000h L55B10 13000h L37B10 23000h L12B10
Diffuser:	Epoxy resin
Operating temperature:	-20°C to +45°C
Rated voltage:	24V DC
Ingress protection:	IP66/68 IK08
Energy efficiency class:	F
Cable entries:	Non-replaceable cable. Other configurations available upon request.



A large industrial refinery or chemical plant at night, illuminated by numerous emergency lights. The sky is a dramatic mix of dark blue and orange-red, suggesting a sunset or sunrise. In the foreground, there are large white storage tanks with blue decorative patterns at the base. The background is filled with complex piping, distillation columns, and towers, all glowing with the yellow and white light of the emergency fixtures. The overall scene conveys a sense of continuous industrial activity and safety preparedness.

1.2

EMERGENCY LIGHT FITTINGS

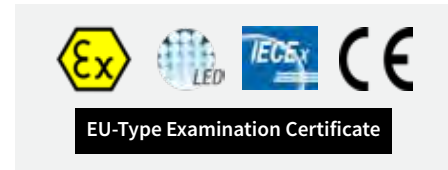
LED EMERGENCY LIGHT FITTINGS SERIES E856

Zones 1, 2, 21, 22

Full catalogue available on our website: www.inpratex.com

ATEX EMERGENCY LIGHT FITTINGS ZONES 1, 2 (gas) & 21, 22 (dust)

Version without battery box. Mounting accessories: see accessories



Options: dimmable via DALI-interface (DIMD)



Small LED Emergency light fitting for hazardous areas in Zones 1, 2 and 21, 22 as safety illumination and as information or escape route lighting.

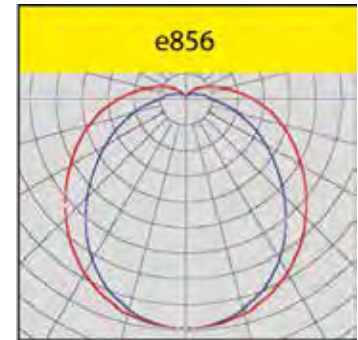
Glass fibre reinforced polyester housing.

Clear polycarbonate, frosted, detachable cover.

Automatic weekly function test and automatic annual duration test. Manual actuation of duration test is possible.

Easy battery replacement due to connector.

White, detachable reflector, carrying the encapsulated LED-modules and glare limitation modules. Central locking system operated by a hexagonal box spanner 13mm.



ITEM REFERENCES (STANDARD VERSION)

Designation:	Cover:	Power: (substitute for)	Luminous flux:	Luminous flux (Emergency):	Luminous efficacy:	T. Max:	Weight:	Item No.:
1h operation time								
e856F L05/1/1,6	Frosted	6 W (1x8 W)	510 lm	510 lm	85 lm/W	55 °C	5,4 kg	1A0610
e856F L10/1/1,6	Frosted	11 W (2x8 W)	1060 lm	560 lm	96 lm/W	40 °C	5,4 kg	1A0611
e856F L20/1/1,6	Frosted	19 W (2x18 W)	2050 lm	560 lm	108 lm/W	40 °C	5,5 kg	1A0612
3h operation time								
e856F L05/3/2,5	Frosted	6 W (1x8 W)	510 lm	260 lm	85 lm/W	55 °C	5,4 kg	1A0613
e856F L10/3/2,5	Frosted	11 W (2x8 W)	1060 lm	260 lm	96 lm/W	40 °C	5,4 kg	1A0614
e856F L20/3/2,5	Frosted	19 W (2x18 W)	2050 lm	260 lm	108 lm/W	40 °C	5,6 kg	1A0615

ITEM REFERENCES (BATTERY BOX VERSION)

Designation:	Cover:	Power: (substitute for)	Luminous flux:	Luminous flux (Emergency):	Luminous efficacy:	T. Max:	Weight:	Item No.:
1h operation time								
e856F L10/1/1,6 H	Frosted	11 W (2x8 W)	1060 lm	560 lm	96 lm/W	55 °C	6,3 kg	1A0616
e856F L20/1/1,6 H	Frosted	19 W (2x18 W)	2050 lm	560 lm	108 lm/W	55 °C	6,4 kg	1A0617
3h operation time								
e856F L10/3/2,5 H	Frosted	11 W (2x8 W)	1060 lm	260 lm	96 lm/W	55 °C	6,4 kg	1A0618
e856F L20/3/2,5 H	Frosted	19 W (2x18 W)	2050 lm	260 lm	108 lm/W	55 °C	6,5 kg	1A0619

LED EMERGENCY LIGHT FITTINGS SERIES E856

Zones 1, 2, 21, 22

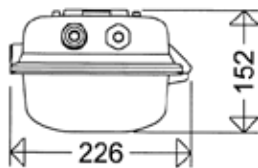
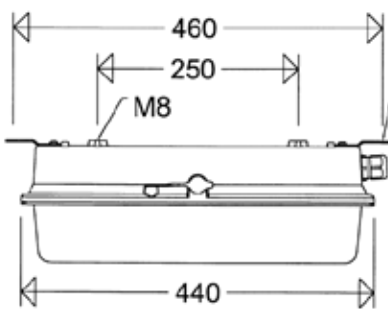
Full catalogue available on our website: www.inpratex.com

1
LIGHTING

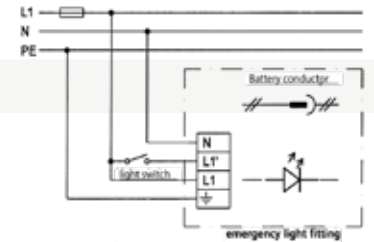
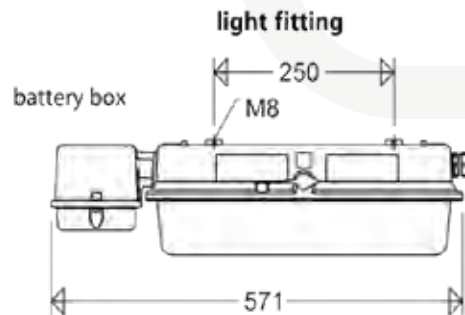
TECHNICAL SPECIFICATIONS

Marking:	
Certificate:	EU-Type Examination Certificate
Housing:	Glass fibre reinforced polyester
Cover:	Polycarbonate
LED:	Line modules ca. 6,500K, CRI > 80 L70B10 > 80.000h, L80B50 > 80.000h each at max. ambient temperature
Battery:	NiCd, electronic charger, short circuit protected battery and reverse battery protection
Re-charging time:	24 h, acc. to EN 60598-2-22
Operating temperature:	-30°C to +55°C. Nominal range acc. to EN 60598-2-22 0°C up to 40° or 50°C (H-Versions). Reduced emergency light duration if operated below 0°C
Operating frequency:	50/60 Hz
Rated voltage:	220/240V AC
Ingress protection:	IP66
Automatic monitoring:	of the emergency light fitting according to EN 62034, indication of the test results by 2-coloured LED (luminescence diode) at the luminaire
Connection:	Prepared for looping the mains cable at one end 4 x 2.5mm ²
Cable entries:	1xM25X1,5 plastic cable gland 1xM25X1,5 plastic plug

e856F ... (without battery box)



e856F ... H (with battery box)



ACCESSORIES

Designation:	Item No.:
2 ceiling brackets, hot galvanized steel	15A P
2 ceiling brackets, stainless steel	15AV P
2 pipe clamps 1 1/2", stainless steel, with support	RO84 112 A P
2 pipe clamps 2", stainless steel, with support	RO84 2 A P
2 wall mounting angles	W26/L P
2 wall mounting angles 30°	W26/30 P
2 wall mounting angles 45°	W26/45 P

Self-adhesive pictograms:	Item No.:
Emergency exit to the left	121/33 W
Emergency exit to the right	121/34 W
Emergency exit below	121/35 W



Self-adhesive pictograms for identification of escape routes acc. to DIN EN ISO 7010 and ASR A1.3. Viewing distance: 25 m

EMERGENCY LIGHT FITTINGS SERIES EXELED 1 N E864

Zones 1, 2, 21, 22

Full catalogue available on our website: www.inpratex.com

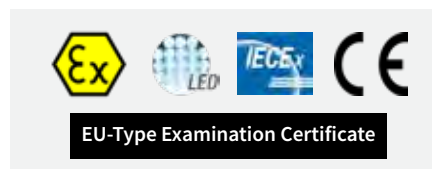
ATEX EMERGENCY LIGHT FITTINGS ZONES 1, 2 (gas) & 21, 22 (dust)

For escape routes and work areas with special risks, reliability of illumination is essential in the event of a failure of the general lighting system to allow safe exit of the affected area. In hazardous areas zone 1 and 21, the explosion-protected LED emergency light fittings with single battery of product series ExeLed 1 N provide this with great reliability and noticeably high efficiency.

Maintained operation: switching over to battery operation in case of mains failure, line modules will be operated with reduced luminous flux as emergency lighting.

Stand-by operation: switching on in case of mains failure.

Supplied without mounting brackets.



Options:
Dimmable via DALI-interface (DIMD)
4.500K, light colour 845

- safety in case of an emergency, instant light with maximum light output
- multifunctional LED with coded indication of the functions, states and potential faults of the electronic device and the battery
- automatic weekly function test
- automatic annual duration test
- easy battery replacement due to connector
- innovative encapsulation with high transmission rate
- LED-Modules protected from mechanical or electrostatic damages by sandwich design of reflector and cover
- homogeneous illumination by using frosted diffusers (versions e864F..) no individual light points visible, comfortable perception of light, brilliant glare limitation
- FastFix mounting, system for variable mounting distances and easy installation (retaining clips HK865 P) without opening the fitting

* This light fitting is not suitable for applications in areas with permanent high humidity in combination with only short periods of operation, such as sewage or stormwater retention tanks or water treatment plants.

ITEM REFERENCES

Designation:	Cover:	Power: (substitute for)	Luminous flux:	Luminous flux (Emergency):	Luminous efficacy:	T. Max:	Weight:	Item No.:
1h operation time								
e864F 06L22/1/1,6	Frosted	18 W (2x18W)	2170 lm	700 lm	121 lm/W	55 °C	6,2 kg	1A400A
e864F 06L42/1/1,6	Frosted	29 W (2x36W)	4100 lm	700 lm	141 lm/W	50 °C	6,4 kg	1A400B
e864F 12L42/1/1,6	Frosted	29 W (2x36W)	4360 lm	750 lm	150 lm/W	55 °C	7,6 kg	1A4001
e864F 12L60/1/1,6	Frosted	41 W (2x58W)	6020 lm	750 lm	147 lm/W	55 °C	7,6 kg	1A4002
e864 12L42/1/1,6	Clear	29 W (2x36W)	4590 lm	800 lm	158 lm/W	55 °C	7,6 kg	1A4003
e864 12L60/1/1,6	Clear	41 W (2x58W)	6320lm	800 lm	155 lm/W	55 °C	7,6 kg	1A4004
3h operation time								
e864F 06L22/3/4	Frosted	18 W (2x18W)	2170 lm	700 lm	121 lm/W	55 °C	6,4 kg	1A400C
e864F 06L42/3/4	Frosted	29 W (2x36W)	4100 lm	700 lm	141 lm/W	50 °C	6,8 kg	1A400D
e864F 12L42/3/4	Frosted	29 W (2x36W)	4360 lm	750 lm	150 lm/W	55 °C	8 kg	1A4005
e864F 12L60/3/4	Frosted	41 W (2x58W)	6020 lm	750 lm	147 lm/W	55 °C	8 kg	1A4006
e864 12L42/3/4	Clear	29 W (2x36W)	4590 lm	800 lm	158 lm/W	55 °C	8 kg	1A4007
e864 12L60/3/4	Clear	41 W (2x58W)	6320lm	800 lm	155 lm/W	55 °C	8 kg	1A4008

EMERGENCY LIGHT FITTINGS SERIES EXELED 1 N E864

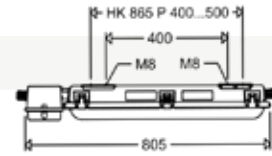
Zones 1, 2, 21, 22

Full catalogue available on our website: www.inpratex.com

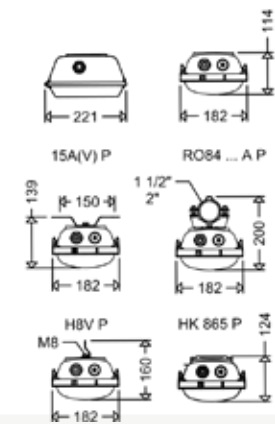
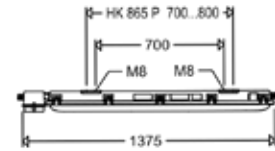
1
LIGHTING

TECHNICAL SPECIFICATIONS	
Marking:	II 2G Ex db eb [ib] mb op is q IIC T4 Gb II 2D Ex op is tb IIIC T80°C Db
Certificate:	EU-Type Examination Certificate
Housing:	Glass fibre reinforced polyester. Stainless steel clips (KE), two of them as safety clip (KES), to be opened with screwdriver only
Cover:	Injected polycarbonate, frosted (F) or clear Silicone gasket
Reflector:	Sheet Steel, painted, carrying the encapsulated LED-modules, clipped into the cover, suspendable
LED:	Line modules Clear cover: 6500K, Frosted cover: 6000K CRI > 80 L ₉₀ > 100.000h at max. ambient temperature L ₉₀ > 95.000h (06L...), L ₉₀ > 85.000h (12L...) each at 25°C ambient temperature
Battery:	NiCd, electronic charger, short circuit protected battery and reverse battery protection
Re-charging time:	24 h, acc. to EN 60598-2-22
Operating temperature:	-30°C to +55°C. Nominal range acc. to EN 60598-2-22 0°C up to 45°C, reduced emergency light duration if operated below 0°C
Operating frequency:	50/60 Hz
Rated voltage:	220/240V AC
Ingress protection:	IP66
Automatic monitoring:	Of the emergency light fitting according to EN 62034, indication of the test results by 2-coloured LED (luminescence diode) at the luminaire
Connection:	4 poles up to 4 mm ²
Cable entries:	2xM25x1,5 (2 plastic cable glands - 1 of them is plugged)

e864 06L... H



e864 12L...



ACCESSORIES	
Designation:	Item No.:
2 suspension brackets, stainless steel	H8V P
2 ceiling brackets, hot galvanized steel	15A P
2 ceiling brackets, stainless steel	15AV P
2 pipe clamps 1 1/2", stainless steel, with support	RO84 112 A P
2 pipe clamps 2", stainless steel, with support	RO84 2 A P
2 retaining clips for variable mounting distances	HK 865 P
2 wall mounting angles	W26 P
2 wall mounting angles 30°	W26/30 P
2 wall mounting angles 45°	W26/45 P



EMERGENCY LIGHT FITTINGS SERIES EXELED 2 N ND867

Zones 2, 22

Full catalogue available on our website: www.inpratex.com

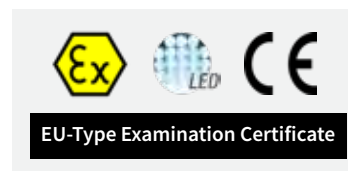
ATEX EMERGENCY LIGHT FITTINGS ZONES 2 (gas) & 22 (dust)

Emergencies are extraordinary situations. When the lighting fails, panic can quickly ensue. Emergency lighting that is fail-safe and reliable can be a matter of life and death. Here the product series ExeLed 2 N, with its automatic self-monitoring and regular function and duration tests, is an excellent choice. Dependable, extremely long-lasting and extraordinarily efficient, it offers the necessary reliability in an emergency.

Maintained operation: switching over to battery operation in case of mains failure, line modules will be operated with reduced luminous flux as emergency lighting. Stand-by operation: switching on in case of mains failure.



Supplied without mounting brackets.



Options: dimmable via DALI-interface (DIMD)

Standard version with integrated battery or separate battery box version for high temperatures.

* This light fitting is not suitable for applications in areas with permanent high humidity in combination with only short periods of operation, such as sewage or stormwater retention tanks or water treatment plants.

ITEM REFERENCES (STANDARD VERSION)

Designation:	Cover:	Power: (substitute for)	Luminous flux:	Luminous flux (Emergency):	Luminous efficacy:	T. Max:	Weight:	Item No.:
1h operation time								
nD867F 06L22/1/4	Frosted	16 W (2x18W)	2170 lm	650 lm	136 lm/W	40 °C	4,2 kg	1A390A
nD867F 06L42/1/4	Frosted	29 W (2x36W)	4360 lm	750 lm	150 lm/W	40 °C	4,4 kg	1A390B
nD867F 12L42/1/4	Frosted	29 W (2x36W)	4360 lm	750 lm	150 lm/W	40 °C	6,3 kg	1A3901
nD867F 12L60/1/4	Frosted	41 W (2x58W)	6020 lm	750 lm	147 lm/W	40 °C	6,3 kg	1A3902
nD867 12L42/1/4	Clear	29 W (2x36W)	4590 lm	800 lm	158 lm/W	40 °C	6,3 kg	1A3903
nD867 12L60/1/4	Clear	41 W (2x58W)	6320 lm	800 lm	155 lm/W	40 °C	6,3 kg	1A3904
3h operation time								
nD867F 06L22/3/4	Frosted	16 W (2x18W)	2170 lm	650 lm	136 lm/W	40 °C	4,2 kg	1A390C
nD867F 06L42/3/4	Frosted	29 W (2x36W)	4360 lm	750 lm	150 lm/W	40 °C	4,4 kg	1A390D
nD867F 12L42/3/4	Frosted	29 W (2x36W)	4360 lm	750 lm	150 lm/W	40 °C	6,3 kg	1A3905
nD867F 12L60/3/4	Frosted	41 W (2x58W)	6020 lm	750 lm	147 lm/W	40 °C	6,3 kg	1A3906
nD867 12L42/3/4	Clear	29 W (2x36W)	4590 lm	800 lm	158 lm/W	40 °C	6,3 kg	1A3907
nD867 12L60/3/4	Clear	41 W (2x58W)	6320 lm	800 lm	155 lm/W	40 °C	6,3 kg	1A3908

ITEM REFERENCES (BATTERY BOX VERSION)

Designation:	Cover:	Power: (substitute for)	Luminous flux:	Luminous flux Emergencia:	Luminous efficacy:	T. Max:	Weight:	Item No.:
1h operation time								
nD867F 06L22/1/4 H	Frosted	16 W (2x18W)	2170 lm	650 lm	136 lm/W	55 °C	5,2 kg	1A390E
nD867F 06L42/1/4 H	Frosted	29 W (2x36W)	4360 lm	750 lm	150 lm/W	55 °C	5,4 kg	1A390F
nD867F 12L42/1/4 H	Frosted	29 W (2x36W)	4360 lm	750 lm	150 lm/W	55 °C	7,3 kg	1A3909
nD867F 12L60/1/4 H	Frosted	41 W (2x58W)	6020 lm	750 lm	147 lm/W	55 °C	7,3 kg	1A3910
nD867 12L42/1/4 H	Clear	29 W (2x36W)	4590 lm	800 lm	158 lm/W	55 °C	7,3 kg	1A3911
nD867 12L60/1/4 H	Clear	41 W (2x58W)	6320 lm	800 lm	155 lm/W	55 °C	7,3 kg	1A3912
3h operation time								
nD867F 06L22/3/4 H	Frosted	16 W (2x18W)	2170 lm	650 lm	136 lm/W	55 °C	5,2 kg	1A390G
nD867F 06L42/3/4 H	Frosted	29 W (2x36W)	4360 lm	750 lm	150 lm/W	55 °C	5,4 kg	1A390H
nD867F 12L42/3/4 H	Frosted	29 W (2x36W)	4360 lm	750 lm	150 lm/W	55 °C	7,3 kg	1A3913
nD867F 12L60/3/4 H	Frosted	41 W (2x58W)	6020 lm	750 lm	147 lm/W	55 °C	7,3 kg	1A3914
nD867 12L42/3/4 H	Clear	29 W (2x36W)	4590 lm	800 lm	158 lm/W	55 °C	7,3 kg	1A3915
nD867 12L60/3/4 H	Clear	41 W (2x58W)	6320 lm	800 lm	155 lm/W	55 °C	7,3 kg	1A3916

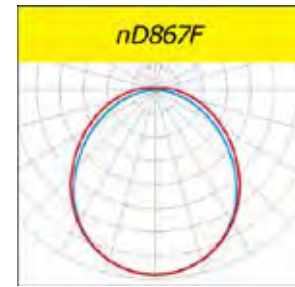
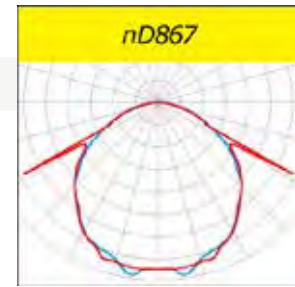
EMERGENCY LIGHT FITTINGS SERIES EXELED 2 N ND867

Zones 2, 22

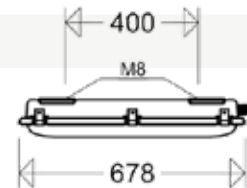
Full catalogue available on our website: www.inpratex.com

1
LIGHTING

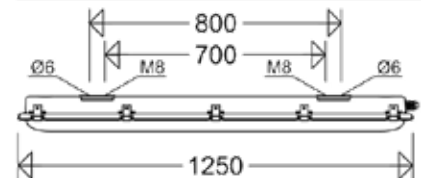
TECHNICAL SPECIFICATIONS	
Marking:	II 3G Ex ec IIC T4 Gc II 3D Ex tc IIC T80°C Dc
Certificate:	EU-Type Examination Certificate
Housing:	Glass fibre reinforced polyester resin. Version H with separate battery box at one small side of the housing. Stainless steel clips (KE), two of them as safety clip (KES), to be opened with screwdriver only.
Cover:	Injected polycarbonate, frosted (F) or clear, silicone gasket.
Reflector:	Sheet Steel, painted, carrying the LED-modules and all electrical components, clipped into the cover, suspendable.
LED:	Line modules 5000K, CRI > 80. Lifetime L80 > 100.000h at max. ambient temperature $L_{90} > 90.000h$ (06L..) $L_{90} > 75.000h$ (12L..) at 25°C ambient temperature
Battery:	NiCd, electronic charger, short circuit protected battery and reverse battery protection
Re-charging time:	24 h, acc. to EN 60598-2-22
Operating temperature:	-30°C to +55°C. Reduced emergency light duration if operated below 0°C. For nD867 H nominal range acc. to EN60598-2-22, 0°C up to 45°C.
Operating frequency:	50/60 Hz
Rated voltage:	220/240V AC, 50-60Hz
Ingress protection:	IP66
Automatic monitoring:	of the emergency light fitting according to EN 62034, indication of the test results by 2-coloured LED (luminescence diode) at the luminaire
Connection:	4 poles up to 2,5 mm ²
Mechanical installation:	Standard: Facing downwards or forwards Direct ceiling mounting is possible. Rubber washers are included. Further mounting options see accessories
Cable entries:	3xM25x1,5 (2 plastic cable glands - one of them is plugged). Versions H with 2 x M25 x 1,5 at the front end of the light fitting



nD867... 06L.. (without battery box)



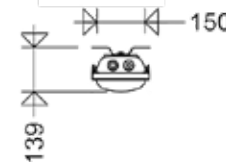
nD867... 12L.. (without battery box)



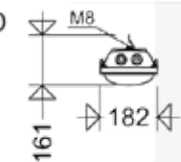
with HK865 P



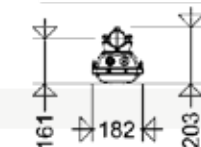
with 15AP



with H8V P



with RO84 ... P



ACCESSORIES	
Designation:	Item No.:
2 suspension brackets, stainless steel	H8V P
2 ceiling brackets, hot galvanized steel	15A P
2 ceiling brackets, stainless steel	15AV P
2 pipe clamps 1 1/2", stainless steel, with support	RO84 112 A P
2 pipe clamps 2", stainless steel, with support	RO84 2 A P
2 retaining clips for variable mounting distances	HK 865 P
2 wall mounting angles	W26 P
2 wall mounting angles 30°	W26/30 P
2 wall mounting angles 45°	W26/45 P

COMPACT LED EMERGENCY LIGHT FITTINGS SERIES ND8611

Zones 2, 22

Full catalogue available on our website: www.inpratex.com

ATEX EMERGENCY LIGHT FITTINGS

ZONES 2 (gas) & 22 (dust)



Outstanding visibility of the indication sign due to a superb and even illumination of the pictogram.

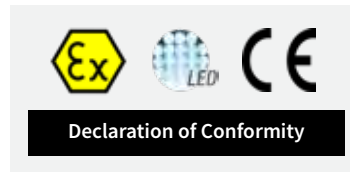
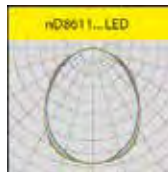
Stable luminous flux in emergency operation.

Compact LED Emergency and Escape Sign Light Fitting for illumination of escape routes and for identification of escape routes in hazardous locations.



2 Modes of operation:

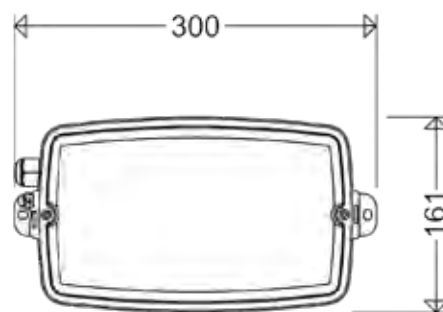
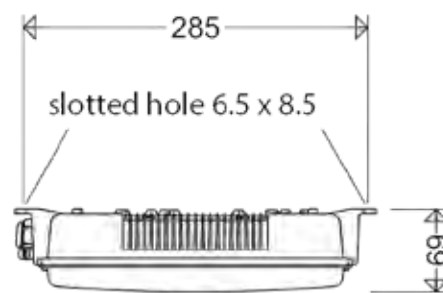
- Stand-by operation: Emergency light switches on in case of mains failure
- Maintained operation: Switching over to battery operation in case of mains failure




Automatic monitoring the emergency light fitting acc. to EN 62034. Indication of the test results by 2-colour LED on the light fitting.



ITEM REFERENCES							
Designation:	Power consumption:	Emergency operation:	Luminous flux:	Luminous flux (emergency):	Luminous efficacy:	Weight:	Item No.:
nD8611 L02/1W	5W	1h NiMH	150 lm	150 lm	30 lm/W	1 kg	1A2303
nD8611 L02/3W	5W	3h NiMh	150 lm	150 lm	30 lm/W	1,2 kg	1A2304

TECHNICAL SPECIFICATIONS	
Marking:	 II 3G Ex nR IIC T4 Gc  II 3D Ex tc IIIC T80°C Dc
Certificate:	Declaration of Conformity
Operating temperature:	-5°C to +30°C (maintained operation) 0°C to +40°C (standby operation)
Operating conditions:	Indoor / Outdoor
Housing:	Diecast aluminium, natural finish
Cover:	Polycarbonate opalescent white (Pictograms, if required, to be ordered separately)
Impact protection:	4 J (at the temperature of -5°C no IK rating given; the 4 J are defined in the ex-proof regulation)
LED:	Linear module 6.500K, CRI > 80, L80 > 50.000h at max. ambient temperature
Battery:	Built-in NiMH. A constant trickle charge to the battery ensures readiness of operation at all times.
Recharging time:	24 h
Operating frequency:	50/60 Hz
Rated voltage:	220-240 V AC
Ingress protection:	IP65
Connection terminals:	3 or 4 poles, clamping range max. 2,5mm ² .
Cable entries:	1xM20x1,5 plastic cable gland



  	Self-adhesive pictogram:	Item No.:
Self-adhesive pictogram for marking escape routes acc.to DIN EN ISO 7010 and ASR A1.3. Viewing = 22m.	Emergency exit to the left	220/110/33
	Emergency exit to the right	220/110/34
	Emergency exit below	220/110/35

A photograph of an industrial refinery at night. The scene is illuminated by numerous bright floodlights and high bays, creating a stark contrast against the dark sky. The refinery's complex structure, including tall distillation columns and piping, is visible. In the foreground, large white storage tanks with blue decorative patterns at the base are prominent. The sky is a mix of deep blues and oranges, suggesting a sunset or sunrise. The overall atmosphere is one of intense industrial activity.

1.3

FLOODLIGHTS & HIGH BAYS

LED FLOODLIGHT SERIES E8820 EXSTREAM

Zones 1, 2, 21, 22

Full catalogue available on our website: www.inpratex.com

ATEX FLOODLIGHTS

ZONES 1, 2 (gas) & 21, 22 (dust)

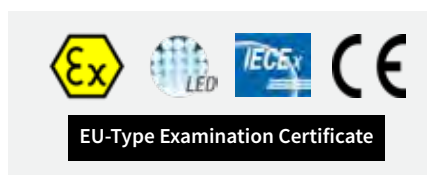
Robust, highly efficient and extremely durable, these are the outstanding properties of the explosion-proof LED floodlight series ExSTREAM. A cooling rib structure that completely encloses each housing segment characterises the design of the Ex light fitting.

The result is excellent heat dissipation, supported by good convection and thus additional cooling of each luminaire segment. In conjunction with high-quality LEDs and electronic ballasts, these are the best prerequisites for a long service life, even at high temperatures. Thanks to the modular structure, you can choose the luminous flux that you need for your project and can therefore efficiently replace conventional luminaires with high pressure sodium vapor lamps up to at least 400W.

Ease of assembly and maintenance were also the focus of the development of the ExSTREAM.

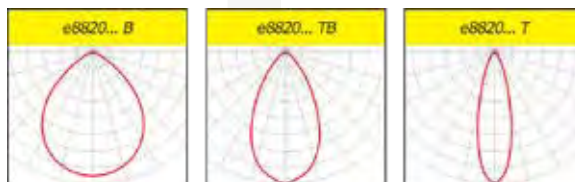
The large connection space with two cable entries not only enables comfortable electrical connection, but also cost-saving in-out wiring without additional junction boxes.

With the mounting bracket, which can be swiveled in 5° steps, the floodlight can be adjusted quickly and easily as required.



Options:

- ECG with DALI interface for dimming (DIMD)
- for ambient temperatures down to -40°C
- seawater-resistant version (SWP)



ITEM REFERENCES

Designation:	Power:	Lumin. flux:	Efficacy lm/W:	T. max.	Weight:	Item No.:
wide beam (available in 2 versions: with 3 or 6 LED modules)						
e8820/3 L120B H55	87W	11.850 lm	136	55°C	15 kg	1B1301
e8820/3 L150B	125W	15.800 lm	126	40°C	15 kg	1B1302
e8820/6 L240B H55	174W	23.700 lm	136	55°C	21 kg	1B1303
e8820/6 L300B	250W	31.600 lm	126	40°C	21 kg	1B1304
narrow wide beam (available in 2 versions: with 3 or 6 LED modules)						
e8820/3 L120TB H55	87W	11.100 lm	128	55°C	15 kg	1B1305
e8820/3 L150TB	125W	14.650 lm	117	40°C	15 kg	1B1306
e8820/6 L240TB H55	174W	22.200 lm	128	55°C	21 kg	1B1307
e8820/6 L300TB	250W	29.300 lm	117	40°C	21 kg	1B1308
narrow beam (available in 2 versions: with 3 or 6 LED modules)						
e8820/3 L120T H55	87W	10.300 lm	118	55°C	15 kg	1B1309
e8820/3 L150T	125W	13.500 lm	108	40°C	15 kg	1B1310
e8820/6 L240T H55	174W	20.600 lm	118	55°C	21 kg	1B1311
e8820/6 L300T	250W	27.000 lm	108	40°C	21 kg	1B1312

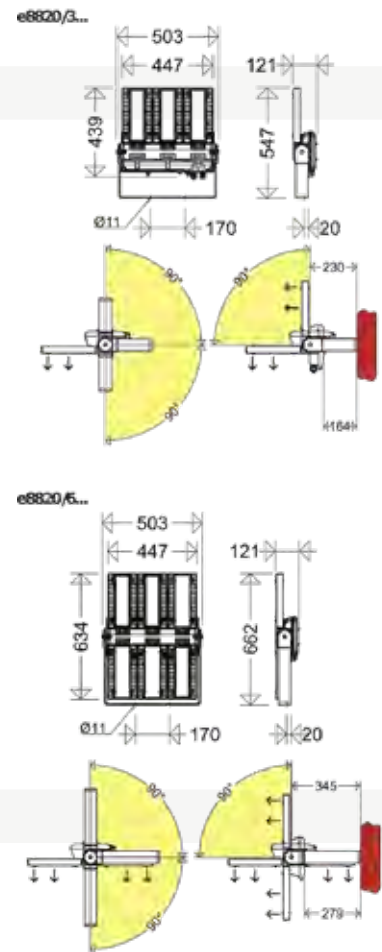
LED FLOODLIGHT SERIES E8820 EXSTREAM

Zones 1, 2, 21, 22

Full catalogue available on our website: www.inpratex.com

Product highlights:

- robust, modular design
- highly efficient due to the use of high quality MID-Power LEDs
- extremely long lifetime even at maximum permissible ambient temperature
- optimized thermal management
 - direct mounting of the LED modules to the aluminum housing
 - separate housings for ECG- and LED-modules
 - LED housing with integrated cooling fin structure
 - large cooling surface, excellent heat dissipation, very good convection
- colour rendering index CRI > 80, according to the workplace guide lines suitable for nearly all plant locations
- homogeneous and effective light distribution by specially calculated lens optics
- inclination angle adjustable in 5 steps
- sustainable, components interchangeable
- eco-friendly with 0 installation (plane surface floodlights), no light emission into the upper half-space, Dark-Sky requirements are fulfilled



TECHNICAL SPECIFICATIONS

Marking:	II 2G Ex eb mb q IIC T4 Gb II 2D Ex tb IIIC T100 °C Db
Certificate:	EU-Type Examination Certificate
Housing:	Die-cast aluminum, multi-part, thermally separated, powder-coated DB702 (mica-iron paint, grey)
LED housing:	With LED modules, optics and safety glass
Device housing:	With built-in control gear, wired ready for connection
Front cover:	Thermally resistant safety glass, impact resistance IK08
LED:	LED-module approx. 5,500K (TB- and B-optics) or approx. 6,500K (T-optics), CRI > 80, life cycle $L_{70B_{10}} > 100.000h$, $L_{80B_{50}} > 100.000h$ at max. ambient temperature
Operating temperature:	-30°C up to +40°C/+55°C (see item tables)
Operating frequency:	0 or 50-60Hz
Rated voltage:	220 - 240V AC/DC overvoltage, overload and short circuit protection
Ingress protection:	IP66
Mounting:	Stainless steel bracket, adjustable in 5° steps around the longitudinal axis of the floodlight
Standard mounting:	Light beam downwards or horizontally
Connection:	5 poles, max. clamping range 4mm ²
Cable entries:	2xM25X1,5 (2 glands - one of them is plugged)

* Due to the inrush current of the electronic ballasts, the maximum permissible number of light fittings per circuit breaker is limited.

BAT86 SERIES LED FLOODLIGHTS

Zones 1, 2, 21, 22

Full catalogue available on our website: www.inpratex.com

ATEX FLOODLIGHTS

ZONES 1, 2 (gas) & 21, 22 (dust)

Explosion-proof LED floodlight for hazardous locations of Zones 1,2 (gas atmosphere) and 21,22 (dust atmosphere). Copper-free aluminium housing, powder coated surface (yellow RAL 1021).

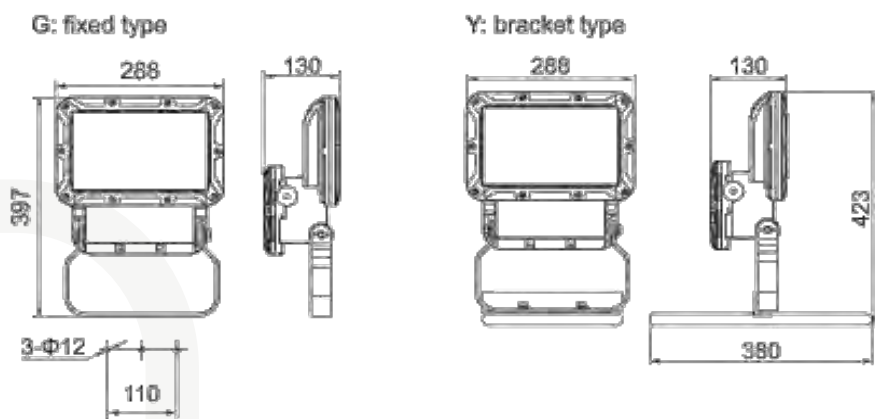
Low-maintenance due to long service life is up to 100,000 operating hours.

Power factor $\geq 0,95$



EU-Type Examination Certificate

BAT86 - 90 | FIXED TYPE OR BRACKET TYPE



ITEM REFERENCES BAT86-90-...

Designation:	Power:	Lumin. flux (lm):	Temperature class:		Weight:	Item No.:
			$-60^{\circ}\text{C} \leq \text{Ta} \leq +40^{\circ}\text{C}$	$-60^{\circ}\text{C} \leq \text{Ta} \leq +60^{\circ}\text{C}$		
BAT86-90-60G	60W	6500 lm	T6/T80°C	T4/T130°C	6,7 kg	1B0811
BAT86-90-90G	90W	9550 lm	T6/T80°C	T4/T130°C	6,7 kg	1B0812
BAT86-90-60Y	60W	6500 lm	T6/T80°C	T4/T130°C	8,5 kg	1B0813
BAT86-90-90Y	90W	9550 lm	T6/T80°C	T4/T130°C	8,5 kg	1B0814

TECHNICAL SPECIFICATIONS

Marking:	II 2G Ex db IIB+H2 T6...T4 Gb II 2D Ex tb IIIC T80°C...T130°C Db
Certificate:	EU-Type Examination Certificate
Operating conditions:	Indoor / Outdoor
Housing:	Copper-free aluminium alloy, powder coated surface (yellow RAL1021). Exposed fastener in stainless steel
Cover:	Toughened glass, stands 4J impact
Operating frequency:	50/60 Hz
Rated voltage:	100~277V AC
LED:	LED module, Multiple LED, $R_a \geq 70$, 5700K
Terminals:	3x1,5~4 mm ² (L+N+PE)
Ingress protection:	IP66
Cable entries:	2xM25x1,5 (Plugs)

BAT86 SERIES LED FLOODLIGHTS

Zones 1, 2, 21, 22

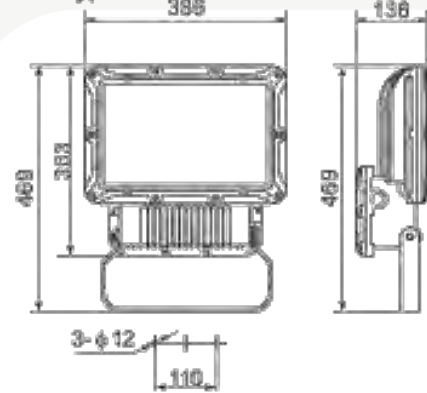
Full catalogue available on our website: www.inpratex.com

1
LIGHTING

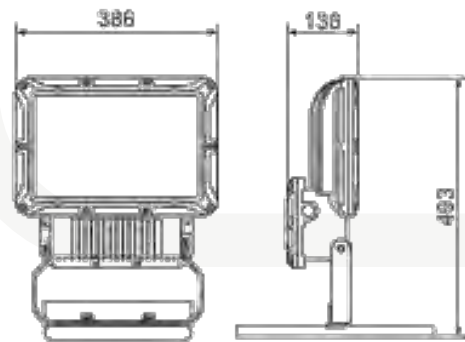
BAT86 - 160 | FIXED TYPE OR BRACKET TYPE



G: fixed type



Y: bracket type



ITEM REFERENCES BAT86-160-...

Designation:	Power:	Lumin. flux (lm):	Temperature class:		Weight:	Item No.:
			-60°C ≤ Ta ≤ +40°C	-60°C ≤ Ta ≤ +60°C		
BAT86-160-120G	120W	14400 lm	T6/T80°C	T5/T95°C	13 kg	1B0801
BAT86-160-160G	160W	19800 lm	T6/T80°C	T5/T95°C	13 kg	1B0802
BAT86-160-120Y	120W	14400 lm	T6/T80°C	T5/T95°C	14,8 kg	1B0803
BAT86-160-160Y	160W	19800 lm	T6/T80°C	T5/T95°C	14,8 kg	1B0804

TECHNICAL SPECIFICATIONS

Marking:	
Certificate:	EU-Type Examination Certificate
Operating conditions:	Indoor / Outdoor
Housing:	Copper-free aluminium alloy, powder coated surface (yellow RAL1021). Exposed fastener in stainless steel
Cover:	Toughened glass, stands 4J impact
Operating frequency:	50/60 Hz
Rated voltage:	100-277 V AC
LED:	LED module, Multiple LED, R _a ≥ 70, 5700K
Terminals:	3x1,5~4 mm ² (L+N+PE)
Ingress protection:	IP66
Cable entries:	2xM25x1,5 (Plugs)

BAT86 SERIES LED FLOODLIGHTS

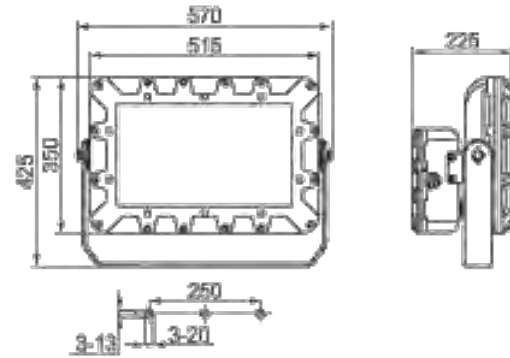
Zones 1, 2, 21, 22

Full catalogue available on our website: www.inpratex.com

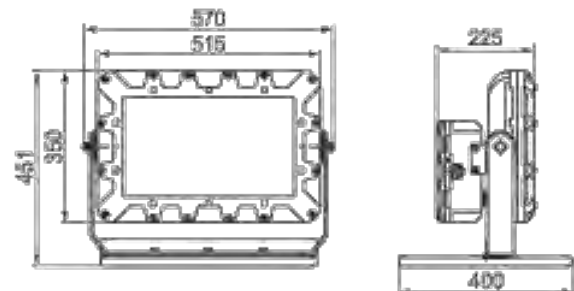
BAT86 - 240 | FIXED TYPE OR BRACKET TYPE



G: fixed type



Y: bracket type



ITEM REFERENCES BAT86-240-...

Designation:	Power:	Lumin. flux (lm):	Temperature class:		Weight:	Item No.:
			-60°C ≤ Ta ≤ +40°C	-60°C ≤ Ta ≤ +60°C		
BAT86-240-200G	200W	23600 lm	T6/T80°C	T4/T130°C	28 kg	1B0806
BAT86-240-240G	240W	28400 lm	T6/T80°C	T4/T130°C	28 kg	1B0807
BAT86-240-200Y	200W	23600 lm	T6/T80°C	T4/T130°C	29,5 kg	1B0809
BAT86-240-240Y	240W	28400 lm	T6/T80°C	T4/T130°C	29,5 kg	1B0810

TECHNICAL SPECIFICATIONS

Marking:	
Certificate:	EU-Type Examination Certificate
Operating conditions:	Indoor / Outdoor
Housing:	Copper-free aluminium alloy, powder coated surface (yellow RAL1021). Exposed fastener in stainless steel
Cover:	Toughened glass, stands 4J impact
Operating frequency:	50/60 Hz
Rated voltage:	100~277V AC
LED:	LED module, Multiple LED, R _a ≥ 70, 5700K
Terminals:	3x1,5~4 mm ² (L+N+PE)
Ingress protection:	IP66
Cable entries:	2xM25x1,5 (Plugs)

BDD95 SERIES LED LIGHTINGS

Zones 1, 2, 21, 22

Full catalogue available on our website: www.inpratex.com

1
LIGHTING

ATEX LIGHTING FIXTURES

ZONES 1, 2 (gas) & 21, 22 (dust)

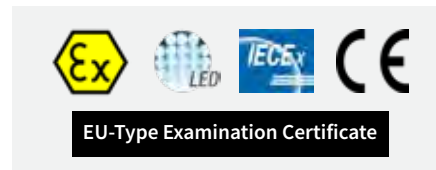


Explosion-proof LED lighting certified for hazardous locations. Can be used as a floodlight or as a suspended light fixture.

Copper-free aluminium cover, powder coated surface (yellow RAL 1021).

Toughened glass cover, stands 4J impact.

Different mounting methods (bracket type or hook type).



ITEM REFERENCES

Designation:	Lamp:	Luminous flux:	Mounting methods:	Weight:	Item No.:
BDD95-90-60K	60 W	6730 lm	Bracket	8,50 kg	1A3201
BDD95-90-90K	90 W	10120 lm	Bracket	8,50 kg	1A3202
BDD95-160-120K	120 W	13420 lm	Bracket	11,40 kg	1A3203
BDD95-160-160K	160 W	17930 lm	Bracket	11,40 kg	1A3204
BDD95-90-60D	60 W	6730 lm	Hook	8,10 kg	1A3205
BDD95-90-90D	90 W	10120 lm	Hook	8,10 kg	1A3206
BDD95-160-120D	120 W	13420 lm	Hook	10,80 kg	1A3207
BDD95-160-160D	160 W	17930 lm	Hook	10,80 kg	1A3208

TECHNICAL SPECIFICATIONS

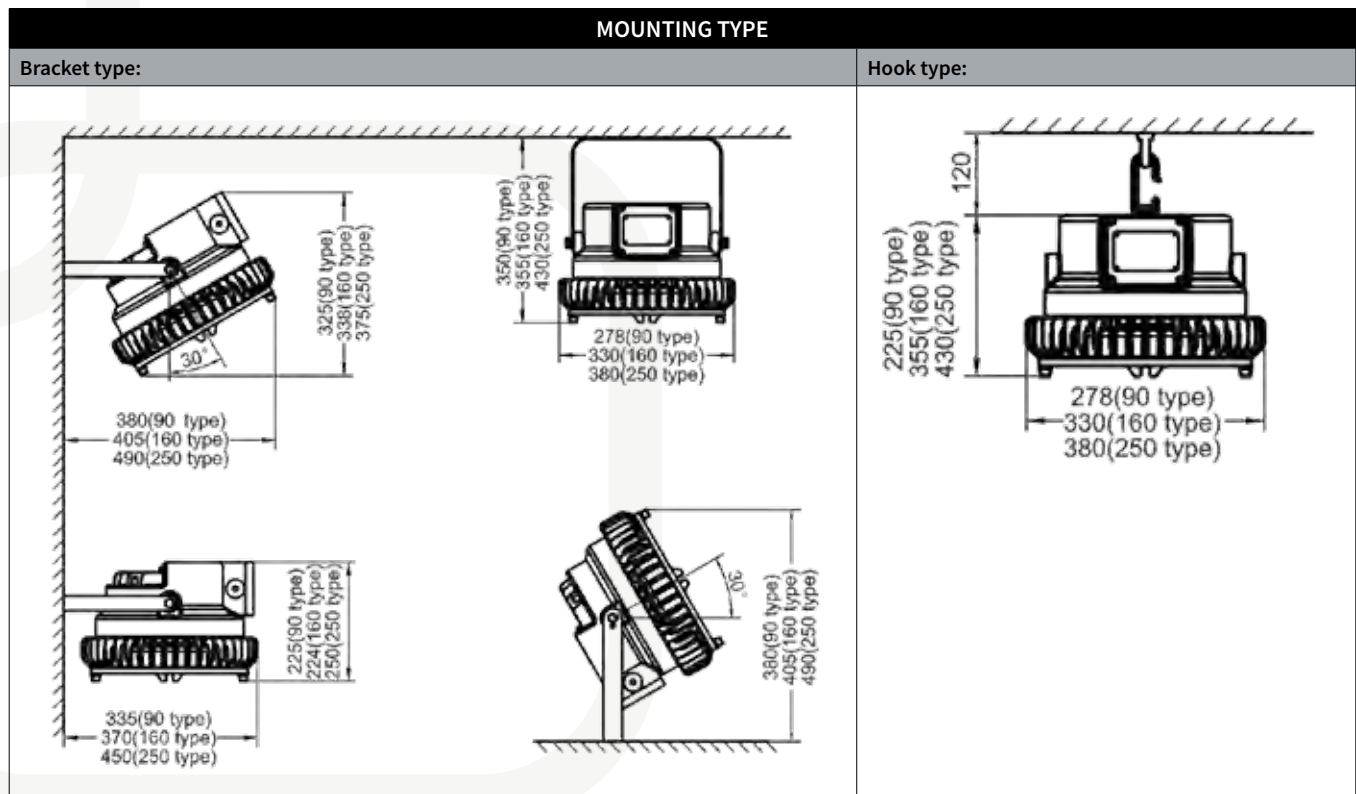
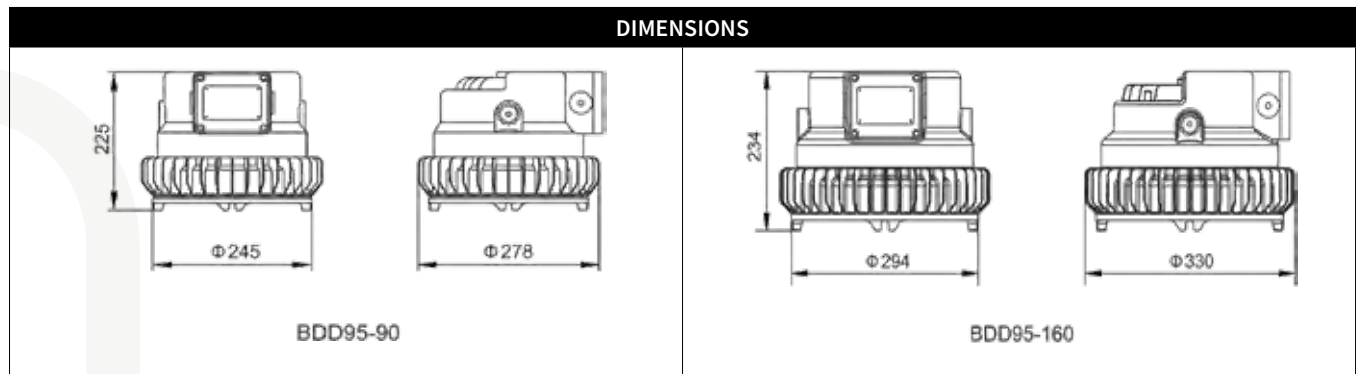
Marking:

Power 60W	Ex II 2G Ex db e IIC T67°C (T6) Gb; II 2D Ex tb IIIC T62°C Db IP66 (-40°C ≤ Ta ≤ +40°C) Ex II 2G Ex db e IIC T82°C (T6) Gb; II 2D Ex tb IIIC T77°C Db IP66 (-40°C ≤ Ta ≤ +55°C)
Power 90W	Ex II 2G Ex db e IIC T87°C (T5) Gb; II 2D Ex tb IIIC T82°C Db IP66 (-40°C ≤ Ta ≤ +40°C) Ex II 2G Ex db e IIC T102°C (T4) Gb; II 2D Ex tb IIIC T97°C Db IP66 (-40°C ≤ Ta ≤ +55°C)
Power 120W	Ex II 2G Ex db e IIC T72°C (T6) Gb; II 2D Ex tb IIIC T67°C Db IP66 (-40°C ≤ Ta ≤ +40°C) Ex II 2G Ex db e IIC T87°C (T5) Gb; II 2D Ex tb IIIC T82°C Db IP66 (-40°C ≤ Ta ≤ +55°C)
Power 160W	Ex II 2G Ex db e IIC T92°C (T5) Gb; II 2D Ex tb IIIC T87°C Db IP66 (-40°C ≤ Ta ≤ +40°C) Ex II 2G Ex db e IIC T107°C (T4) Gb; II 2D Ex tb IIIC T102°C Db IP66 (-40°C ≤ Ta ≤ +55°C)
Certificate:	EU-Type Examination Certificate
Operating conditions:	Indoor / Outdoor
Housing:	Copper-free aluminium (yellow RAL1021)
Operating temperature:	-40°C to +55°C
Operating frequency:	50/60 Hz
Rated voltage:	100-300 V AC
Ingress protection:	IP66
Colour temperature:	5400-6500K
Connection:	3x1,5~4 mm ² (L+N+PE)
Earthing protection:	M5 (internal & external earth bolts)
Cable entries:	2xM25x1,5 Plugs

BDD95 SERIES LED LIGHTINGS

Zones 1, 2, 21, 22

Full catalogue available on our website: www.inpratex.com



BAK85 LED FLOODLIGHT

Zones 1, 2, 21, 22

Full catalogue available on our website: www.inpratex.com

1
LIGHTING

ATEX FLOODLIGHTS

ZONES 1, 2 (gas) and 21, 22 (dust)



Compact and handy ATEX floodlight certified for hazardous areas.
Enclosure in copper-free aluminium (yellow RAL 1021).
Toughened glass cover, stands 4J impact.



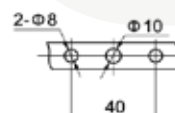
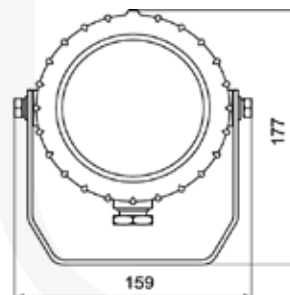
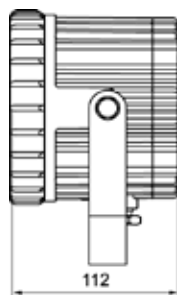
EU-Type Examination Certificate

ITEM REFERENCES

Designation:	Power:	Luminous flux:	Rated voltage:	Item No.:
BAK85-9/277	9 W	912 lm	100~277V AC / 50/60 Hz	1H0301
BAK85-9/48	9 W	912 lm	24V DC	1H0302

TECHNICAL SPECIFICATIONS

Marking:	II 2G Ex db op is IIC T6 Gb II 2D Ex tb op is IIIC T80°C Db
Certificate:	EU-Type Examination Certificate
Housing:	Copper-free aluminium. Exposed fastener in stainless steel
Cover:	Toughened glass cover, stands 4J impact
LED:	5700 K
Operating conditions:	-40°C to +55°C
Ingress protection:	IP66/IP67
Connection:	3 terminals 1,5~2,5 mm ² (L+N+PE)
Power factor:	≥ 0,95
Earthing protection:	M5 internal & external earth bolts
Weight:	2,20 kg
Cable entries:	1xM20x1,5 Supplied with seal gasket and gland nut. Applicable cable outer diameter Ø6 ~ Ø12 mm



LED FLOODLIGHT SERIES ND8700

Zones 2, 22

Full catalogue available on our website: www.inpratex.com

ATEX FLOODLIGHTS

ZONES 2 (gas) & 22 (dust)



LED Floodlight / plane surface floodlight for hazardous locations of Zones 2 (gas atmosphere) and 22 (dust atmosphere), stockyards, building sites, open-air grounds, chemical and petrochemical areas, etc.

Housing and glass retaining frame made from diecast aluminium. Thermal safety glass, impact resistance IK10.

Lens optics:

Wide, narrow-wide, narrow, or asymmetric light distribution.

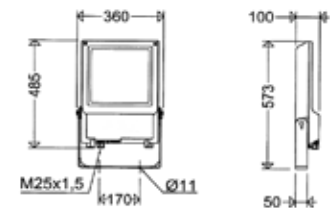
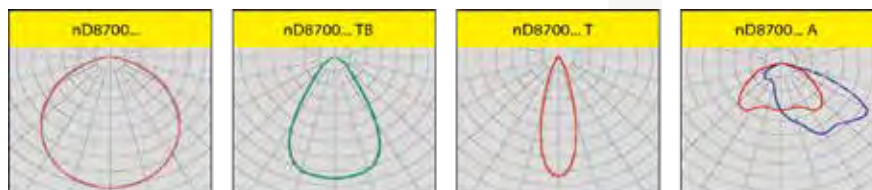
Options: dimmable via DALI-interface (DIMD)



Declaration of Conformity

ITEM REFERENCES

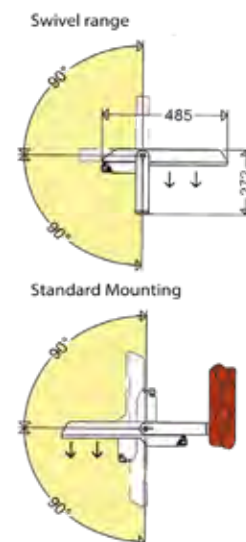
Designation:	Power:	Lumin. flux (lm):	Efficacy lm/W:	Weight (kg):	Item No.:
wide beam					
nD8700 4803	106W	15.200	143	9,7	1B1101
nD8700 6403	140W	20.000	143	9,7	1B1102
narrow wide beam					
nD8700 4803TB	106W	15.200	143	9,7	1B1103
nD8700 6403TB	140W	20.000	143	9,7	1B1104
narrow beam					
nD8700 4803T	106W	15.200	143	9,7	1B1105
nD8700 6403T	140W	20.000	143	9,7	1B1106
asymmetrical beam (plane surface floodlight)					
nD8700 4803A	106W	15.200	143	9,7	1B1107
nD8700 6403A	140W	20.000	143	9,7	1B1108



TECHNICAL SPECIFICATIONS

Marking:	II 3G Ex nR IIC T4 Gc II 3D Ex tc IIIC T100°C Dc
Certificate:	Declaration of Conformity
Housing:	Diecast aluminium, DB 702 (mica-iron paint)
Cover:	Flat safety glass pane, impact resistance IK10
LED:	Zhaga compliant 4,000K, R _a >70 L ₉₀ > 100.000h at max. ambient temperature
Operating temperature:	-30°C to +40°C
Operating frequency:	50/60 Hz
Rated voltage:	220/240V *
Ingress protection:	IP66
Connection:	3-pole terminal max. clamping range 2,5mm ²
Cable entries:	1xM20X1,5 plastic cable gland

* Due to the inrush current of the electronic ballasts, the maximum permissible number of light fittings per circuit breaker is limited. Surge voltage resistance 10kV, excess temperature protection, overload and short circuit protection, temperature monitoring of the LED modules.



LED FLOODLIGHT SERIES ND8800

Zones 2, 22

Full catalogue available on our website: www.inpratex.com

ATEX FLOODLIGHTS

ZONES 2 (gas) & 22 (dust)



LED Floodlight / plane surface floodlight for hazardous locations of Zones 2 (gas atmosphere) and 22 (dust atmosphere), stockyards, building sites, open-air grounds, chemical and petrochemical areas, etc.

Housing and glass retaining frame made from diecast aluminium.

Thermal safety glass (IK09).

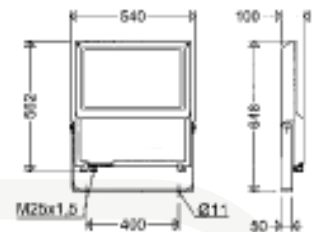
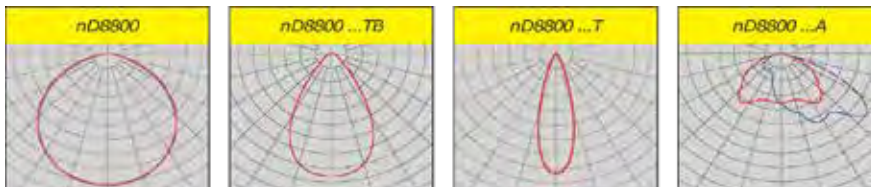


Declaration of Conformity

Options: dimmable via DALI-interface (DIMD)

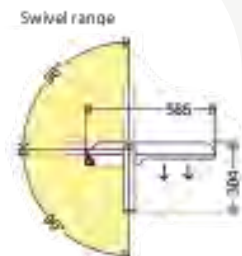
ITEM REFERENCES

Designation:	Power:	Lumin. flux (lm):	Efficacy lm/W:	Weight (kg):	Item No.:
wide beam					
nD8800 6403	140W	20.500	146	15,9	1B1001
nD8800 12803	280W	39.500	141	17,1	1B1002
narrow wide beam					
nD8800 6403TB	140W	20.500	146	15,9	1B1003
nD8800 12802TB	280W	39.500	141	17,2	1B1004
narrow beam					
nD8800 6403T	140W	20.500	146	15,9	1B1005
nD8800 12802T	280W	39.500	141	17,2	1B1006
asymmetrical beam (plane surface floodlight)					
nD8800 6403A	140W	20.500	146	15,9	1B1007
nD8800 12802A	280W	39.500	141	17,2	1B1008

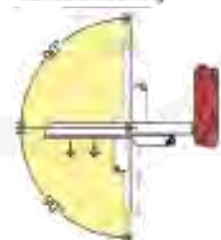


TECHNICAL SPECIFICATIONS

Marking:	II 3G Ex nR IIC T4 Gc II 3D Ex tc IIIC T100°C Dc
Certificate:	Declaration of Conformity
Housing:	Diecast aluminium, DB 702 (mica-iron paint)
Cover:	Thermal safety glass, impact resistance IK09
LED:	Zhaga compliant 4,000K, R _g >70 L ₉₀ > 100.000h at max. ambient temperature
Operating temperature:	-30°C to +40°C
Operating frequency:	50/60 Hz
Rated voltage:	220/240V *
Ingress protection:	IP66
Connection:	3-pole terminal, max. clamping range 2,5mm ²
Cable entries:	1xM25X1,5 plastic cable gland
<p>* Due to the inrush current of the electronic ballasts, the maximum permissible number of light fittings per circuit breaker is limited. Surge voltage resistance 10kV, excess temperature protection, overload and short circuit protection, temperature monitoring of the LED modules.</p>	



Standard Mounting



LED FLOODLIGHT SERIES EXP 17 MLED

Zones 2, 22

Full catalogue available on our website: www.inpratex.com

ATEX FLOODLIGHTS

ZONES 2 (gas) & 22 (dust)

The EXP 17 MLED luminaire is designed to light the industrial areas and facilities, also outdoor spaces with an explosion hazard of gases, vapours and flammable fogs mixed with air and inflammable dust and fibers mixed with air.

Luminaire equipped with lens mounted on LED panel for light pattern shaping and reducing glare.

Available in 1,2 or 3 modules version.

DALI system and Colour temperature 3000K on request.



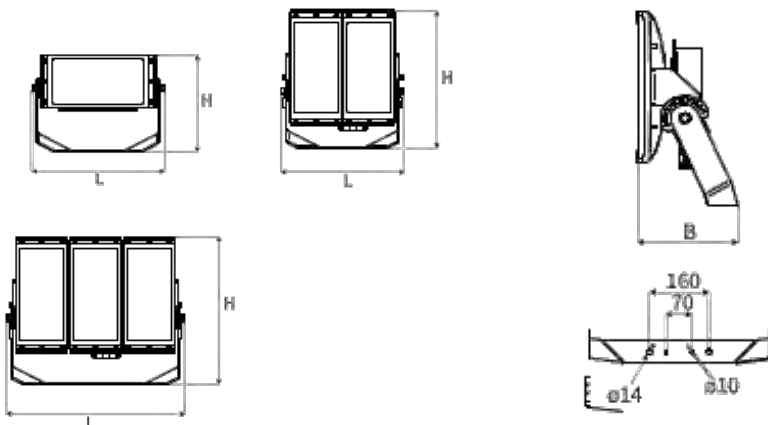
Declaration of Conformity

ITEM REFERENCES

Designation:	Modules:	Power:	Lumin. flux:	Weight:	Item No.:
EXP 17 MLED1/0406/7/740/N	1	45 W	7200 lm	7,5 kg	1B1401
EXP 17 MLED2/0796/7/740/N	2	85 W	14000 lm	11 Kg	1B1402
EXP 17 MLED3/1196/7/740/N	3	130 W	21000 lm	17 kg	1B1403

TECHNICAL SPECIFICATIONS

Marking:	II 3G Ex ec IIC T4 Gb II 3D Ex tc IIIC T100°C Dc
Certificate:	Declaration of Conformity
Operating temperature:	-30°C to +45°C
Housing:	Aluminium, powder painted
Diffuser:	Strengthened glass
Bracket:	Steel, powder painted
Rated voltage:	220-240V AC/DC
LED:	CRI: 70 / Lifetime: 130 000 h / Colour temp.: 4000K / Optics: narrow, symmetrical "N"
Terminals:	2x 3~4 mm ²
Ingress protection:	IP66
Cable entries:	2xM20x1,5 (plastic cable glands 6-12 mm)



DIMENSIONS (mm)

	L	B	H
EXP 17 MLED1	388	147	340
EXP 17 MLED2	312	153	407
EXP 17 MLED3	526	204	436

AR-040 SPOTLED

Zones 2, 22

Full catalogue available on our website: www.inpratex.com

ATEX FLOODLIGHTS

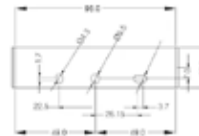
ZONES 2 (gas) & 22 (dust)



The AR-040 explosion-safe SpotLED combines high-performance and energy-efficiency with state-of-the-art LED technology, making it suitable for a wide range of applications. The robust SpotLED can successfully be applied on construction sites, transport vehicles, forklifts, lathes, or milling machines or for the illumination of facades.

The SpotLED is available with LED optics with an angle of 10° (spotlight), 38° (wide-angle light), or a combination of both (work light). The cable has a standard length of 5 meters. Due to the stainless steel bracket and the large 155° rotation angle, the SpotLED is suitable for mounting against walls or sloping surfaces.

The ATEX AR-040 SpotLED is certified in accordance with European Directive 2014/34/EU for use in hazardous areas and is CE marked.

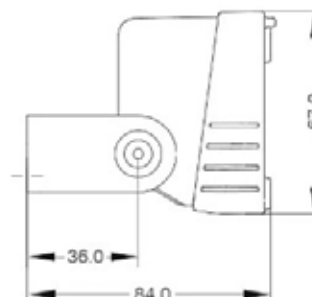
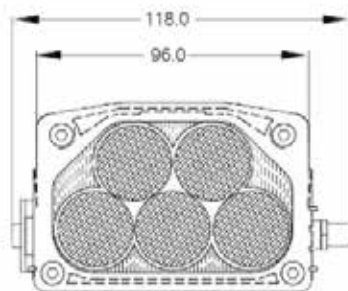


ITEM REFERENCES

Designation:	LED Optics:	Item No.:
AR-040/100	5 x 38°	1H0401
AR-040/110	5 x 10°	1H0402
AR-040/120	3 x 10° / 2 x 38°	1H0403

TECHNICAL SPECIFICATIONS

Marking:	II 3G Ex ec IIC T4 Gc II 3D Ex tc IIIC T135°C Dc
Certificate:	Declaration of Conformity
Power supply:	12 - 30 VDC
Power consumption:	500 mA @ 24 VDC, 950 mA @ 12 VDC
Light source:	Cree 3 Watt PowerLEDs (5x), 780 Lumen
Beam angles:	10° - 38° (depending on the optics used)
Light color:	Neutral white (~6700 K)
Rotation angle:	-50° to +105°
Material:	Die cast aluminum housing and stainless steel bracket, RAL 7001, silver gray Polycarbonate impact-resistant safety glass
Ingress protection level:	IP67 according to EN 60529
Electrical connection:	Fixed cable, length 5 meters (brown = +24 VDC, white = 0 V, green = ground / earth)
Ambient temperature:	-30°C to +50°C
Dimensions:	120 x 62 x 87 mm
Weight:	540 gr



LED HIGH BAY LIGHT FITTINGS SERIES E8825 EXSTREAM

Zones 1, 2, 21, 22

Full catalogue available on our website: www.inpratex.com

ATEX PENDANT LIGHT FITTINGS

ZONES 1, 2 (gas) & 21, 22 (dust)

Robust, highly efficient and extremely durable, these are the outstanding properties of the explosion-proof LED floodlight series ExSTREAM. A cooling rib structure that completely encloses each housing segment characterises the design of the Ex light fitting.

The result is excellent heat dissipation, supported by good convection and thus additional cooling of each luminaire segment. In conjunction with high-quality LEDs and electronic ballasts, these are the best prerequisites for a long service life, even at high temperatures. Thanks to the modular structure, you can choose the luminous flux that you need for your project and can therefore efficiently replace conventional luminaires with high pressure sodium vapor lamps up to at least 400W.

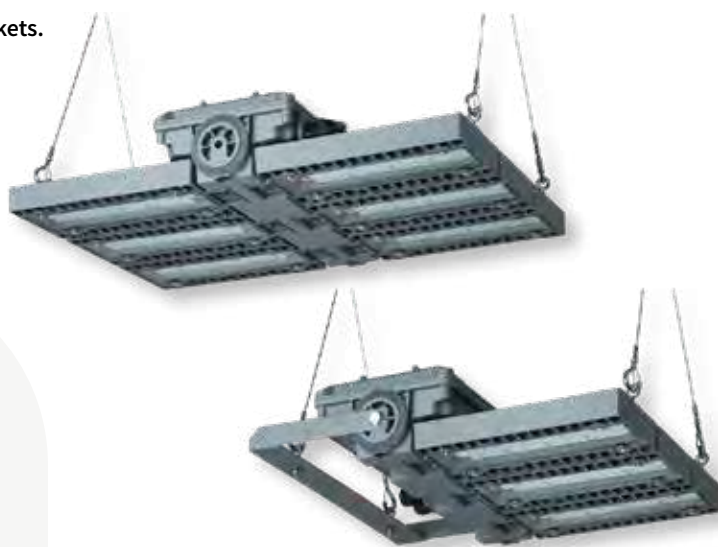
Ease of assembly and maintenance were also the focus of the development of the ExSTREAM.

The large connection space with two cable entries not only enables comfortable electrical connection, but also cost-saving in-out wiring without additional junction boxes.

It can be attached to the ceiling using Y steel cables or brackets.

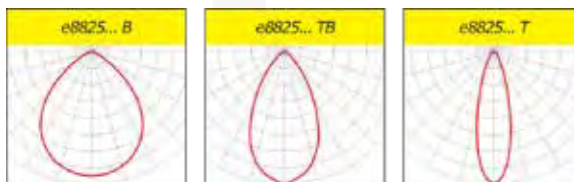


EU-Type Examination Certificate



Options:

- ECG with DALI interface for dimming (DIMD)
- for ambient temperatures down to -40°C



ITEM REFERENCES

Designation:	Power:	Lumin. flux:	Efficacy lm/W:	T. max.	Weight:	Item No.:
wide beam (available in 2 versions: with 3 or 6 LED modules)						
e8825/3 L120B H55	87W	11.850 lm	136	55°C	13 kg	1B1313
e8825/3 L150B	125W	15.800 lm	126	40°C	13 kg	1B1314
e8825/6 L240B H55	174W	23.700 lm	136	55°C	18 kg	1B1315
e8825/6 L300B	250W	31.600 lm	126	40°C	18 kg	1B1316
narrow wide beam (available in 2 versions: with 3 or 6 LED modules)						
e8825/3 L120TB H55	87W	11.100 lm	128	55°C	13 kg	1B1317
e8825/3 L150TB	125W	14.650 lm	117	40°C	13 kg	1B1318
e8825/6 L240TB H55	174W	22.200 lm	128	55°C	18 kg	1B1319
e8825/6 L300TB	250W	29.300 lm	117	40°C	18 kg	1B1320
narrow beam (available in 2 versions: with 3 or 6 LED modules)						
e8825/3 L120T H55	87W	10.300 lm	118	55°C	13 kg	1B1321
e8825/3 L150T	125W	13.500 lm	108	40°C	13 kg	1B1322
e8825/6 L240T H55	174W	20.600 lm	118	55°C	18 kg	1B1323
e8825/6 L300T	250W	27.000 lm	108	40°C	18 kg	1B1324

LED HIGH BAY LIGHT FITTINGS SERIES E8825 EXSTREAM

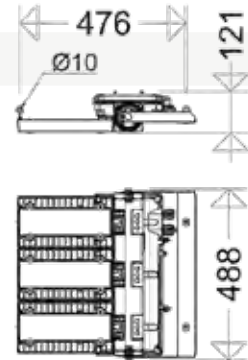
Zones 1, 2, 21, 22

Full catalogue available on our website: www.inpratex.com

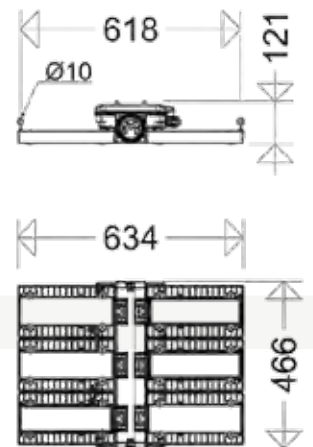
Product highlights:

- robust, modular design
- highly efficient due to the use of high quality MID-Power LEDs
- extremely long lifetime even at maximum permissible ambient temperature
- optimized thermal management
 - direct mounting of the LED modules to the aluminum housing
 - separate housings for ECG- and LED-modules
 - LED housing with integrated cooling fin structure
 - large cooling surface, excellent heat dissipation, very good convection
- colour rendering index CRI > 80, according to the workplace guide lines suitable for nearly all plant locations
- homogeneous and effective light distribution by specially calculated lens optics
- sustainable, components interchangeable

e8825/3...



e8825/6...



ACCESSORIES	
Designation:	Type:
3301/3302 Y P	1 pair of Y-ropes, (2-point-mounting) For indoor use only.
DW 8825 P	1 pair of ceiling brackets steel, powder-coated DB 702

TECHNICAL SPECIFICATIONS	
Marking:	II 2G Ex eb mb q IIC T4 Gb II 2D Ex tb IIIC T100 °C Db
Certificate:	EU-Type Examination Certificate
Housing:	Die-cast aluminum, multi-part, thermally separated, powder-coated DB702 (mica-iron paint, grey)
LED housing:	With LED modules, optics and safety glass
Device housing:	With built-in control gear, wired ready for connection
Front cover:	Thermally resistant safety glass, impact resistance IK08
LED:	LED-module approx. 5,500K (TB- and B-optics) or approx. 6,500K (T-optics) , CRI > 80, life cycle $L_{70}B_{10} > 100.000h$, $L_{80}B_{50} > 100.000h$ at max. ambient temperature
Optics:	Lens optics with narrow, narrow-wide or wide beam light distribution, Multi-Layer technology.
Operating temperature:	-30°C up to +40°C/+55°C (see item tables)
Operating frequency:	0 or 50-60Hz
Rated voltage:	220 - 240V AC/DC overvoltage, overload and short circuit protection
Ingress protection:	IP66
Mounting:	See accessories (4 eyelets included)
Connection:	5 poles, max. clamping range 4mm ²
Cable entries:	2xM25X1,5 (2 glands - one of them is plugged)
* Due to the inrush current of the electronic ballasts, the maximum permissible number of light fittings per circuit breaker is limited.	

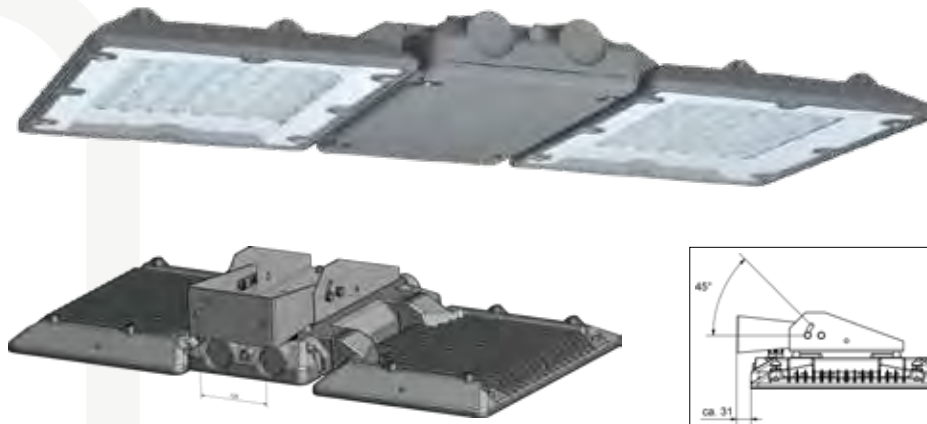
LED HIGH BAY LIGHT FITTINGS SERIES ND8301/ND8302

Zones 2, 22

Full catalogue available on our website: www.inpratex.com

ATEX PENDANT LIGHT FITTINGS

ZONES 2 (gas) & 22 (dust)



Declaration of Conformity

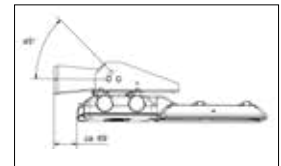
DALI interface (standard) for dimmed operation.

Ideal for production halls and warehouses, workshops, chemical factories, etc.

Option: cable looping

Explosion-proof LED high bay light fittings for hazardous locations, of Zones 2 (gas atmosphere) and 22 (dust atmosphere), for production halls and warehouses, in industrial sectors, workshops and chemical factories, etc.

Two versions are available: 1 or 2 LED wings for substitution of 250W / 400W high pressure discharge lamps.

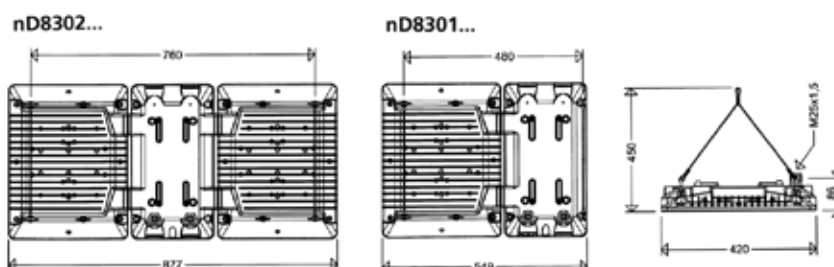


Note: Suitable for indoor use only.

TECHNICAL SPECIFICATIONS

Marking:	II 3G Ex nR IIC T4 Gc II 3D Ex tc IIIC T100°C Dc
Certificate:	Declaration of Conformity
Housing:	Diecast aluminum, DB 702N (mica-iron paint)
Cover:	Tempered safety glass (IK08)
LED:	LED 4,000K, CRI >80, L70 > 100.000h Ambient temperature >50°, L70 > 90.000h
Operating temperature:	-20°C to +40°C / +50°C / +60°C
Operating frequency:	50/60 Hz
Rated voltage:	220/240V AC*
Ingress protection:	IP65
Connection:	3 poles up to 2,5 mm ²
Cable entries:	1xM25X1,5 plastic cable gland

* Due to the inrush current of the electronic ballasts, the maximum permissible number of light fittings per circuit breaker is limited. urge voltage resistance 4kV, excess temperature protection, overload and short circuit protection.



LED HIGH BAY LIGHT FITTINGS SERIES ND8301/ND8302

Zones 2, 22

Full catalogue available on our website: www.inpratex.com



ITEM REFERENCES

Designation:	Power:	Substitute for:*	Luminous flux:	Luminous efficacy:	T. Max:	Weight:	Item No.:
1 LED wing							
nD8301 L110	67 W	HME 250	10800 lm	161 lm/W	40 °C	8,9 kg	1B0911
nD8301 L160	96 W	HIT 250 / HME 400	15000 lm	156 lm/W	40 °C	8,9 kg	1B0912
nD8301 L210	135 W	HIE 400	20200 lm	150 lm/W	40 °C	8,9 kg	1B0913
nD8301 L110B	67 W	HME 250	10800 lm	161 lm/W	40 °C	9,2 kg	1B0914
nD8301 L160B	96 W	HIT 250 / HME 400	15000 lm	156 lm/W	40 °C	9,2 kg	1B0915
nD8301 L210B	135 W	HIE 400	20200 lm	150 lm/W	40 °C	9,2 kg	1B0916
nD8301 L110TB	67 W	HME 250	10800 lm	161 lm/W	40 °C	9,2 kg	1B0917
nD8301 L160TB	96 W	HIT 250 / HME 400	15000 lm	156 lm/W	40 °C	9,2 kg	1B0918
nD8301 L210TB	135 W	HIE 400	20200 lm	150 lm/W	40 °C	9,2 kg	1B0919
2 LED wing							
nD8302 L320	192 W	HIT 400	30000 lm	156 lm/W	40 °C	14,5 kg	1B0920
nD8302 L420	270 W	2 x HIE 400	40400 lm	150 lm/W	40 °C	14,5 kg	1B0921
nD8302 L320B	192 W	HIT 400	30000 lm	156 lm/W	40 °C	14,6 kg	1B0922
nD8302 L420B	270 W	2 x HIE 400	40400 lm	150 lm/W	40 °C	14,6 kg	1B0923
nD8302 L320TB	192 W	HIT 400	30000 lm	156 lm/W	40 °C	14,6 kg	1B0924
nD8302 L420TB	270 W	2 x HIE 400	40400 lm	150 lm/W	40 °C	14,6 kg	1B0925
For ambient temperatures up to +50°C							
1 LED wing							
nD8301 L110 H50	67 W	HME 250	10800 lm	161 lm/W	50 °C	8,9 kg	1B0926
nD8301 L160 H50	96 W	HIT 250 / HME 400	15000 lm	156 lm/W	50 °C	8,9 kg	1B0927
nD8301 L110B H50	67 W	HME 250	10800 lm	161 lm/W	50 °C	8,9 kg	1B0928
nD8301 L160B H50	96 W	HIT 250 / HME 400	15000 lm	156 lm/W	50 °C	8,9 kg	1B0929
nD8301 L110TB H50	67 W	HME 250	10800 lm	161 lm/W	50 °C	8,9 kg	1B0930
nD8301 L160TB H50	96 W	HIT 250 / HME 400	15000 lm	156 lm/W	50 °C	8,9 kg	1B0931
2 LED wing							
nD8302 L220 H50	134 W	HIE 400	21600 lm	161 lm/W	50 °C	14,5 kg	1B0932
nD8302 L320 H50	192 W	HIT 400	30000 lm	156 lm/W	50 °C	14,5 kg	1B0933
nD8302 L220B H50	134 W	HIE 400	21600 lm	161 lm/W	50 °C	14,6 kg	1B0934
nD8302 L320B H50	192 W	HIT 400	30000 lm	156 lm/W	50 °C	14,5 kg	1B0935
nD8302 L220TB H50	134 W	HIE 400	21600 lm	161 lm/W	50 °C	14,6 kg	1B0936
nD8302 L320TB H50	192 W	HIT 400	30000 lm	156 lm/W	50 °C	14,5 kg	1B0937
For ambient temperatures up to +60°C							
1 LED wing							
nD8301 L110 H60	67 W	HME 250	10800 lm	161 lm/W	60 °C	8,9 kg	1B0938
nD8301 L160 H60	96 W	HIT 250 / HME 400	15000 lm	156 lm/W	60 °C	8,9 kg	1B0939
nD8301 L110B H60	67 W	HME 250	10800 lm	161 lm/W	60 °C	9,2 kg	1B0940
nD8301 L110TB H60	67 W	HME 250	10800 lm	161 lm/W	60 °C	9,2 kg	1B0941
2 LED wing							
nD8302 L220 H60	134 W	HIE 400	21600 lm	161 lm/W	60 °C	14,5 kg	1B0942
nD8302 L320 H60	192 W	HIT 400	30000 lm	156 lm/W	60 °C	14,5 kg	1B0943
nD8302 L220B H60	134 W	HIE 400	21600 lm	161 lm/W	60 °C	14,6 kg	1B0944
nD8302 L220TB H60	134 W	HIE 400	21600 lm	161 lm/W	60 °C	14,6 kg	1B0945

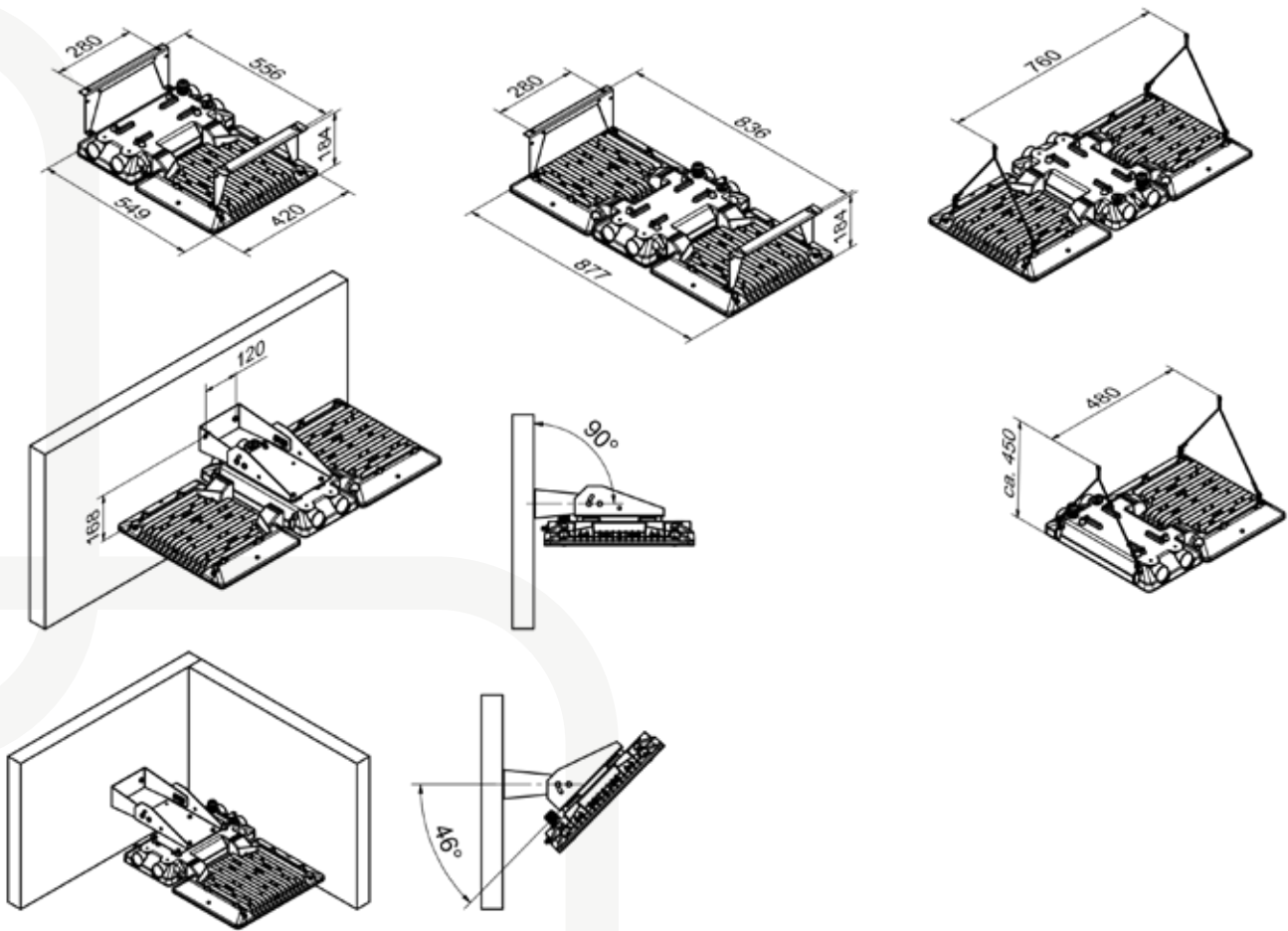
* The given information is for rough orientation only.

LED HIGH BAY LIGHT FITTINGS SERIES ND8301/ND8302

Zones 2, 22

Full catalogue available on our website: www.inpratex.com

INSTALLATION



ACCESSORIES

Type:	Designation:
3301/3302 Y P	1 pair of Y-ropes, (2-point-mounting)
3301/3302 D	1 pair of angle brackets for direct ceiling mounting
3301 W	1 angle bracket, adjustable, for wall mounting series nD8301...*
3302 W	1 angle bracket, adjustable, for wall mounting series nD8302...*

* For mounting these brackets, additional mounting holes are required on the luminaire. Please indicate way of mounting when ordering the luminaire.



LIGHTING FIXTURES FOR PORTHOLES SERIES EVO

Zones 1, 2, 21, 22

Full catalogue available on our website: www.inpratex.com

1



LIGHTING

ATEX LIGHTING FIXTURES

ZONES 1, 2 (gas) & 21, 22 (dust)



Explosion-proof lighting fixtures for portholes, ideal for the optimum viewing area to be monitored.

The built-in switch version allows the lamp to be switched on and off directly from the observation point and the for the observation point and the for the necessary time.

The lamp can be replaced without removing the armor.

Epoxyvinyl internal white coating for optimal luminosity.

Lampholder E27.

External screws in stainless steel AISI 316.

Supplied without light sources.



EU-Type Examination Certificate

ITEM REFERENCES

Designation:	Lamp:	A:	Ø B:	C:	D:	E:	Weight:	Item No.:
EVO 60I	Halogen <42 W	190	130	115	82	135	1,87 kg	1H0201
EVO 100I	Halogen <70 W	240	150	135	96	165	2,10 kg	1H0202

INSTALLATION / LAMP TYPE

Installation:	Halogen <42 W:		Halogen <70 W:		Energy saving lamp / LED	
	24 V	220 V	24 V	220 V	24 V	220 V
Vertical position	✓	✓	✓	✓	✓	✓
Horizontal position	✓	✓	X	X	✓	✓

TEMPERATURES



Halogen <42 W:			Halogen <70 W:			Energy saving lamp / LED		
Temp. class	Max. Surf Temperature	Ambient Temperature	Temp. class	Max. Surf Temperature	Ambient Temperature	Temp. class	Max. Surf Temperature	Ambient Temperature
T4	T85°C	-50°C to +40°C	T3	T200°C	-50°C to +80°C	T6	T85°C	-50°C to +50°C
T3	T100°C	-50°C to +80°C				T5	T100°C	-50°C to +60°C
						T4	T135°C	-50°C to +80°C

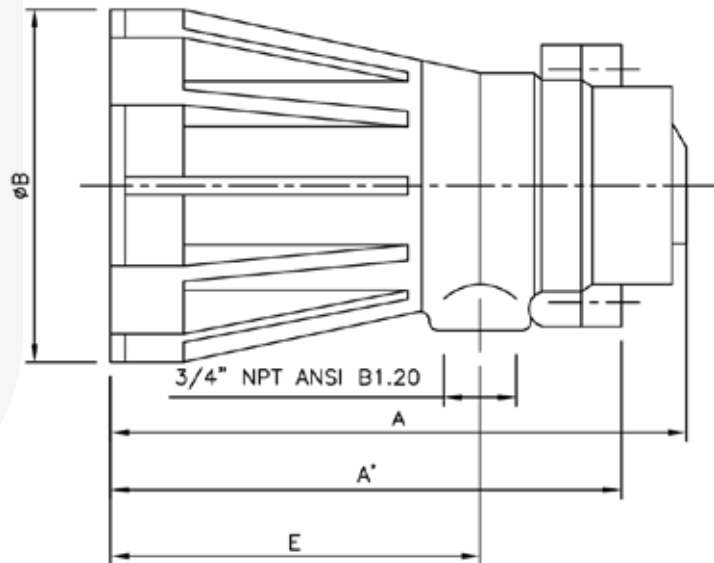
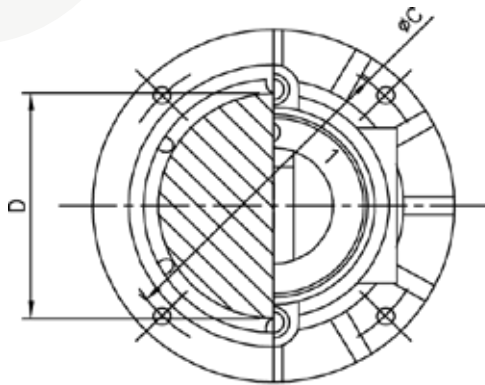
LIGHTING FIXTURES FOR PORTHOLES SERIES EVO

Zones 1, 2, 21, 22

Full catalogue available on our website: www.inpratex.com

TECHNICAL SPECIFICATIONS

Marking:	 II 2G Ex d IIC T6-T3 Gb  II 2D Ex tb IIIC T85°C-T200°C Db
Certificate:	EU-Type Examination Certificate
Housing:	Aluminium light alloy (RAL 7000)
Cover:	Thermal safety glass
Operating temperature:	-20°C to +40°C
Ingress protection:	IP66/67
Lamp Type:	Halogen, Energy saving lamp or LED
Lamp holder:	E27
Max. voltage:	24 - 230 V AC / 230 V DC
Terminal section:	1,5 mm ²
Maximum number of drivers:	3
Cable entries:	1x3/4" NPT cable gland (not included)



A large-scale industrial refinery or chemical plant is shown at night. The facility is illuminated by numerous bright lights, creating a complex network of structures, pipes, and towers. In the foreground, several large, white cylindrical storage tanks are visible, some with blue decorative patterns at their base. The sky above is a dramatic mix of deep blues, purples, and oranges, suggesting a sunset or sunrise. The overall scene conveys a sense of industrial activity and energy.

1.4

PORTABLE LAMPS

LED PORTABLE LAMP E9310F

Zones 1, 2, 21, 22

Full catalogue available on our website: www.inpratex.com

ATEX PORTABLE LAMPS

ZONES 1, 2 (gas) & 21, 22 (dust)

Explosion-protected LED handlamp for ATEX zones 1/2 (gas) and 21/22 (dust). Handle made of rubber (EPDM) with suspension eye, strain relief and cable entry. Electrical kit made of die-cast aluminium with LED module and integrated ECG. Frosted PC cover, wire guard made of galvanised steel with hook for hanging up the handlamp.



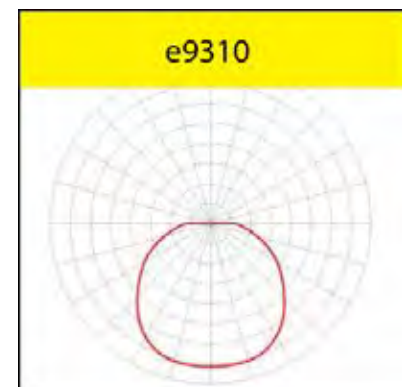
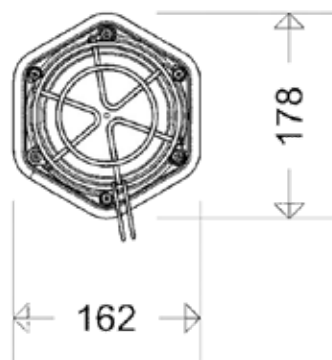
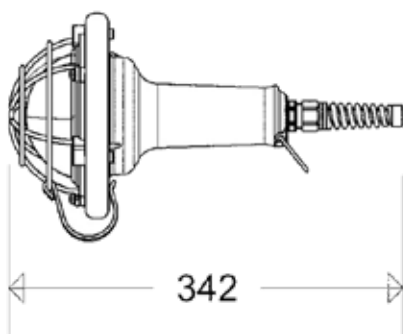
EU-Type Examination Certificate

ITEM REFERENCES

Designation:	Power:	Luminous flux:	Luminous efficacy:	Weight:	Item No.:
e9310F	11 W	600 lm	55 lm/W	1,3 kg	1D0501

TECHNICAL SPECIFICATIONS

Marking:	II 2G Ex eb mb op is IIC T4 Gb II 2D Ex op is tb IIIC T80°C Db
Certificate:	EU-Type Examination Certificate
Handle:	Made of rubber (EPDM), with suspension eye, cable relief
Cover:	Polycarbonate, frosted
Wire guard:	Round steel, cage hook for suspension purpose
LED:	Approx. 6,500K, CRI typically 80
Operating temperature:	-25°C to +40°C
Rated voltage:	220/240V AC/DC
Ingress protection:	IP66
Cable entries:	M20 x 1,5mm ² with bend protection



EVP 50 PORTABLE LAMP

Zones 1, 2, 21, 22

Full catalogue available on our website: www.inpratex.com

ATEX PORTABLE LAMPS

ZONES 1, 2 (gas) & 21, 22 (dust)



Light source and cable not supplied.

Explosion-proof certified portable lamp for use in hazardous areas.

Suitable for incandescent, halogen, energy-saving and LED lamps.

Housing in aluminium light alloy.

Cage, hook and handle covered with Nylon.



EU-Type Examination Certificate

ITEM REFERENCES

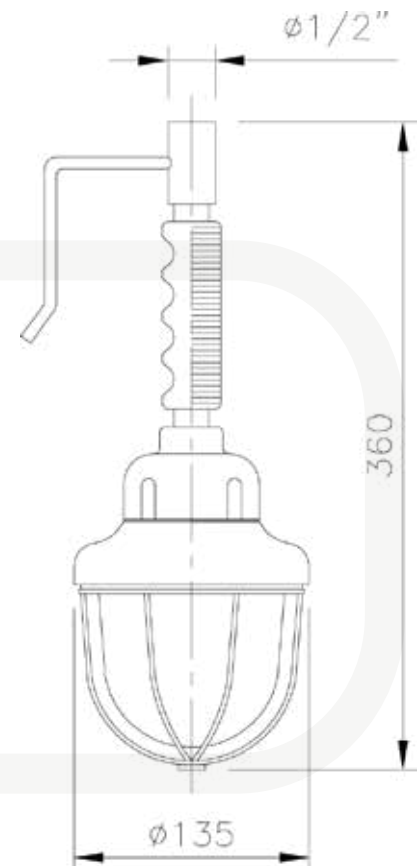
Model:	Lamp:	Lamp holder:	Temp. class:		T. Cable:	Weight:	Item No.:
			Gas	Dust			
EVP 50	Energy-saving up to 15W	E27	T4	T135°C	NC	1,8 Kg	1D0301
	LED up to 9W		T6	T85°C	NC		
	Incandescent up to 100W		T3	T200°C	160°C		
	Halogen up to 100W		T3	T200°C	160°C		

TECHNICAL SPECIFICATIONS

Marking:	II 2G Ex d IIC T6-T3 Gb II 2D Ex tb IIIC T85°C-T200°C Db
Certificate:	EU-Type Examination Certificate
Lamp:	Halogen, Incandescent, Energy-saving or LED
Rated voltage:	AC max.: 440 V AC DC max.: 48 V DC
Ingress protection:	IP65
Operating temperature:	-20°C to +40°C
Cable entries:	1/2" NPT (cable gland not included)

ACCESSORIES

Designation:	Cable length:	Item No.:
Cable H07RN-F 450/750V 3G1,5	5 m	1D0203
	10 m	1D0204
	15 m	1D0205
	20 m	1D0206
	25 m	1D0207
	30 m	1D0208



KE-LED-EX 4003 HAND LAMP

Zones 1, 2, 21, 22

Full catalogue available on our website: www.inpratex.com

ATEX PORTABLE LAMPS

ZONES 1, 2 (gas) & 21, 22 (dust)

The extremely compact, lightweight ATEX hand lamp is ideal for illuminating areas that are difficult to access and where inspection and service are necessary. Three integrated POWER LED modules ensure optimal lighting.

Thanks to the integrated diffuser film, a glare-free and pleasant work is guaranteed. Ideal for use as an inspection lamp.

- 3 POWER LEDs / 6500 K
- Protection tube: polycarbonate, shock-resistant, Ø 40mm
- Handle / end cap: neoprene, black
- Integrated diffuser foil
- Metal hook: yes, plastified, rotatable
- Protection category: IP68 -50 m / 5 h
- Protection class: II / III
- Cable: 10m H07RN-F 2 x 1,00 mm²
- Voltage: 230V / 110V / 42V / 24V / 12V





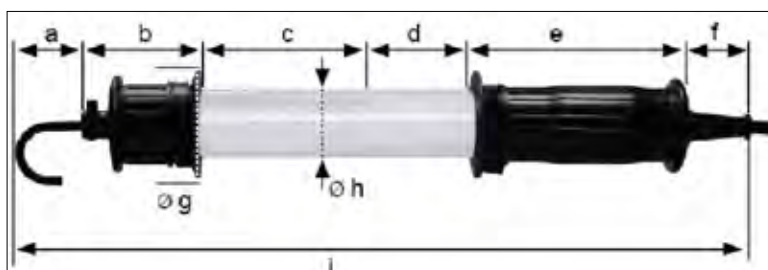
EU-Type Examination Certificate

ITEM REFERENCES

Designation:	Power:	Rated voltage:	Rated current:	Luminous flux:	Protection class:	Item No.:
KE-LED-EX 4003/230	3,3 W	230 V AC	0,03 A	200 lm	II	1D0603
KE-LED-EX 4003/110	3 W	110 V AC/DC	0,025 A	185 lm	II	1D0604
KE-LED-EX 4003/42	3,8 W	42 V AC/DC	0,075 A	180 lm	II	1D0605
KE-LED-EX 4003/24	3 W	24 V AC/DC	0,10 A	255 lm	III	1D0606
KE-LED-EX 4003/12	2,8 W	12 V AC/DC	0,20 A	235 lm	III	1D0607

TECHNICAL SPECIFICATIONS

Marking:	 II 2G Ex eb mb op is IIC T4 Gb  II 2D Ex tb op is IIIC T105° Db IP68
Certificate:	EU-Type Examination Certificate
Operating temperature:	-20°C to +50°C
Protective tube:	Polycarbonate
Impact resistance:	IK10
Ingress protection:	IP68-50m/5h
Color temperature:	6500K
Handle / end cap:	Neopren
Weight:	1,55 kg
Cable:	10m H07RN-F 2x1 mm ² (plug non included)



DIMENSIONS (mm)

a	b	c	d	e	f	g	h	i
40	65	100	70	115	40	43	40	430

KE-LED-EX 5018 HAND LAMP 360°

Zones 1, 2, 21, 22

Full catalogue available on our website: www.inpratex.com

ATEX PORTABLE LAMPS

ZONES 1, 2 (gas) & 21, 22 (dust)

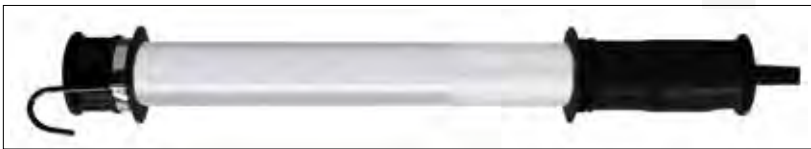
The ATEX LED 360° hand lamp is ideal for illuminating work in explosion-proof areas, such as cleaning work in tanks or silos.

The integrated diffuser foil ensures a glare-free and homogeneous light. The slim design, the low weight (approx. 1.5 kg) and the comfortable neoprene handle allow the use of the light as a hand and inspection light.



EU-Type Examination Certificate

- Circular LED light source of 360°
- 18x POWER LEDs | 6500K
- Polycarbonate protective tube
- Integrated diffuser film
- Electronic ballast with special protection
- Neoprene handle & end cap
- Metal hook: yes, plastified, rotatable

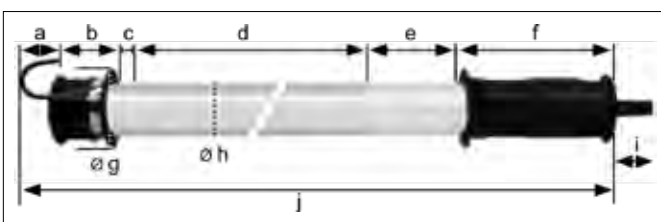


ITEM REFERENCES

Designation:	Power:	Luminous flux:	Colour T.:	Weight:	Item No.:
EX 5018 Hand Lamp	10 W	1000 lm	6500K	1,5 kg	1D0601

TECHNICAL SPECIFICATIONS

Marking:	II 2G Ex eb mb o is IIC T4 Gb II 2D Ex tb op is IIIC T105° Db
Certificate:	EU-Type Examination Certificate
Operating temperature:	-20°C to +40°C
Rated voltage:	24V AC/DC
Current:	0,33 A
Power:	10 W
LED 360°:	18x POWER LED Colour Rendering Index >70 Lifetime >50.000h
Protection class:	III
Ingress protection:	IP68-50m/5h
Protective tube:	Polycarbonat
Impact resistance:	IK10
Integrated diffuser film:	Yes
Handle / end cap:	Neopren
Energy efficiency class:	F
Cable:	10m H07RN-F 2x1 mm ²



DIMENSIONS

a	b	c	d	e	f	g	h	i	j
25	55	35	225	120	140	75	50	45	600

RECHARGEABLE LED SCENE LIGHT XPR-5592GX - GCX

Zones 0, 1, 2

Full catalogue available on our website: www.inpratex.com

ATEX FLOODLIGHTS

ZONES 0,1,2 (gas)



The XPR-5592GX - GCX Rechargeable LED Scene Light is ideal for use when portability is important. ATEX certified Intrinsically Safe for use in hazardous environments, the array of 5 floodlight LEDs perfectly emit an impressive 1,000 lumens on high for 6 hours, or 500 lumens on low for 17 hours when activated using the robust three-position toggle switch. The housing is constructed from lightweight glass-filled nylon polymer, keeping it cool to the touch while being chemical, heat, and impact resistant.

A heavy-duty rare-earth magnetic base is securely mounted on the bottom to provide 360 degrees of hands-free rotation for proper light placement on any job site.

Powered by an integrated lithium-ion battery, the light includes an adjustable steel handle for carrying or hanging and both AC/DC power supplies placed inside a durable blow molded carrying case for ease of use and storage.




EU-Type Examination Certificate

			
Steel-reinforced carry handle also functions as convenient mounting hook where needed.	Locking cam allows carry handle to telescope to ideal length and position.	Large adjustment knobs means light can be positioned and secured for hands-free work.	Sealed switch and charging port cap ensure full IP-67 waterproof & dustproof protection.

ITEM REFERENCES

Designation:	What's included:	Item No.:
XPR-5592GX	Scene Light - AC & DC charging cords - Blow-molded case	1E1901
XPR-5592GCX	Scene Light - 6 foot tripod - AC & DC charging cords - Blow-molded case	1E1902

TECHNICAL SPECIFICATIONS

Marking:	 II 1G Ex ia op is IIC T4 Ga
Certificate:	EU-Type Examination Certificate
Operating temperature:	-20°C to +40°C
Case material:	Glass-filled nylon polymer. Serialized for personal identification
Lumens/Runtime:	High: 1200 lm, 6 hrs. runtime Low: 650 lm, 12 hrs. runtime
Ingress protection:	IP67
Drop rating:	2 m
Dimensions:	Length: 343mm Width: 235mm Depth: 89mm
Weight:	1,928 g
Battery:	Integrated rechargeable li-ion battery



LUMIN LED RECHARGEABLE FLOODLIGHT

Zones 1, 2, 21, 22

Full catalogue available on our website: www.inpratex.com

1
LIGHTING

ATEX PORTABLE LAMPS

ZONES 1, 2 (gas) & 21, 22 (dust)

Lightweight and fully portable, with an intense light output of up to 2000 lumens. Being fully certified for Zones 1 & 2 (Gas) and Zones 21 & 22 (Dust) it has been designed to make working in confined spaces even safer.


Featuring no trailing cables vastly reduces trip hazards, while the powerful light output easily illuminates the working environment. Ergonomically designed for easy maneuverability, it is extremely user friendly





EU-Type Examination Certificate

- Lightweight and portable
- Unique protection system to cope with paint overspray
- Compatible accessory items available
- Maintenance friendly
- Low battery voltage warning
- Specialised charging system
- Waterproof and dustproof

ITEM REFERENCES

Designation:		Item No.:
SARF300		13B0201
SARF300/KIT1	 <p>LUMIN EX LED Rechargeable Floodlight LUMIN Floodlight Protective Shield LUMIN Floodlight Magnetic Bracket LUMIN Floodlight Scaffold Bracket LUMIN Charging Unit</p>	13B0202

TECHNICAL SPECIFICATIONS

Marking:	 II 2G Ex eb ib mb IIC T4 Gb  II 2D Ex tb IIIC T85°C Db
Certificate:	EU-Type Examination Certificate
Operating temperature:	-20°C to +43°C
Ingress protection:	IP66
Battery duration:	12 Hours (Normal) 6 Hours (Boost)
Light output:	1250 lm (Standard) 2000 lm (Boost)
Charge time:	6 Hours
Dimensions:	430mm x 260mm x 390mm
Weight:	13.8kg

ACCESSORIES

Description:		Description:	
 <p>LUMIN Floodlight Scaffold Bracket - SAFL/SN</p>	 <p>LUMIN Floodlight Protective Film - SAFL/PF</p>		
 <p>LUMIN Floodlight Magnetic Bracket - SAFL/MB</p>	 <p>LUMIN Floodlight Tripod Stand - SAFL/TS</p>		
 <p>LUMIN Floodlight Protective Shield - SAFL/PS</p>			

EX GALALED PORTABLE LED LIGHTING

Zones 1, 2, 21, 22

Full catalogue available on our website: www.inpratex.com

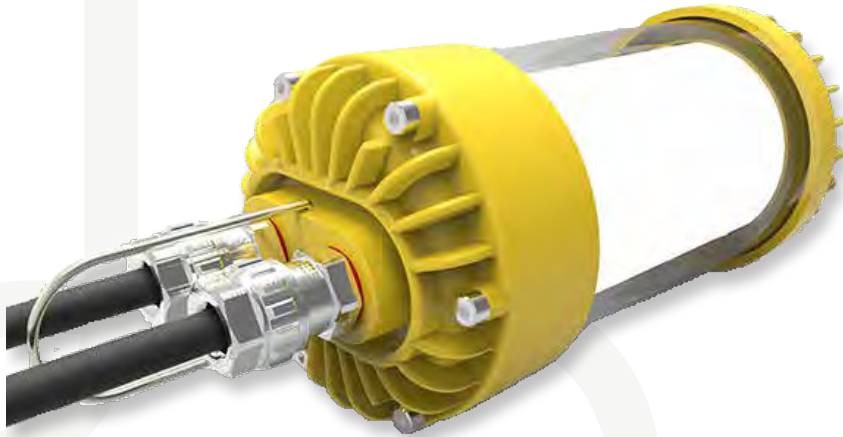
ATEX PORTABLE LAMPS

ZONES 1, 2 (gas) & 21, 22 (dust)

Portable, safety LED lighting with high level of protection intended for use in hazardous areas with explosive gas and dust atmospheres. The lamp is designed for application in shipbuilding and offshore industries, for both indoor and outdoor spaces, can be used as portable lighting and as general fixed in lighting.

- Circular LED light source of 360°
- High light intensity with no glare effect
- Low weight of 2,3kg, high level of mechanical protection (IP66 and IK8)

Ex GalaLED enables outstanding thermal management since the LED engine is attached directly to the top and bottom cover, acting as a heat sink.



ITEM REFERENCES

Designation:	Lumen output:	Efficacy:	Operating voltage:		Power:	Power factor:	Item No.:
Ex GalaLED 42VAC	~3000 lm	~120lm/W	38-48 VAC 38-60 VDC	50-60 Hz	~25W	≥ 0,98 at 42 VAC	1D0401
Ex GalaLED 110VAC	~3000 lm	~120lm/W	90-130 VAC 90-130 VDC	50-60 Hz	~25W	> 0,85 at 110 VAC	1D0402
Ex GalaLED 230VAC	~3500 lm	~115 lm/W	210-250 VAC	50-60 Hz	~30W	> 0,98 at 230 VAC	1D0403
Ex GalaLED 24VAC	>2300 lm	~ 115lm/W	20-30 VAC 20-30 VDC	50-60 Hz	~20W	> 0,98 at 24 VAC	1D0404

TECHNICAL SPECIFICATIONS

Marking:	II 2G Ex db op is IIC T6 Gb II 2D Ex tb op is IIIC T85°C Db
Certificate:	EU-Type Examination Certificate
Operating temperature:	-40°C to +50°C
Housing:	Aluminum alloy powder painted with tempered borosilicate glass tube
Diffuser:	PMMA 2,5 mm
Gasket:	Silicone gasket
Ingress protection:	IP66, IP67 IK08
LED:	360° LED module ~5000K, CRI 80-85, depending on LED type 60 000 working hours temp. 25°C (estimated lifespan)
Connection terminal:	L1,N,PE max 3x2,5 mm ² , External PE Terminal M5
Connection cable:	H07RN-F 3x1,5 mm ² or 3x2,5 mm ²
Weight:	2,3 kg
Dimensions:	D125 x H280 mm
Cable entries:	2xM20 (Cable glands / plugs non included)

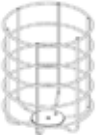








EX GALALED PORTABLE LED LIGHTING

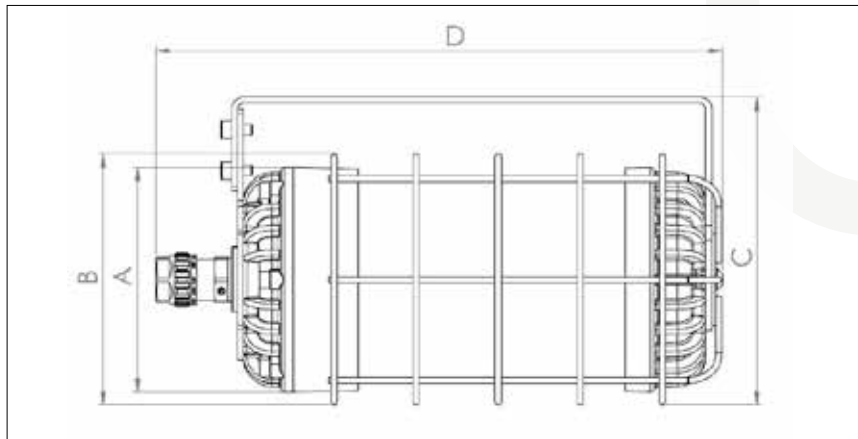
Zones 1, 2, 21, 22

Full catalogue available on our website: www.inpratex.com

1
LIGHTING

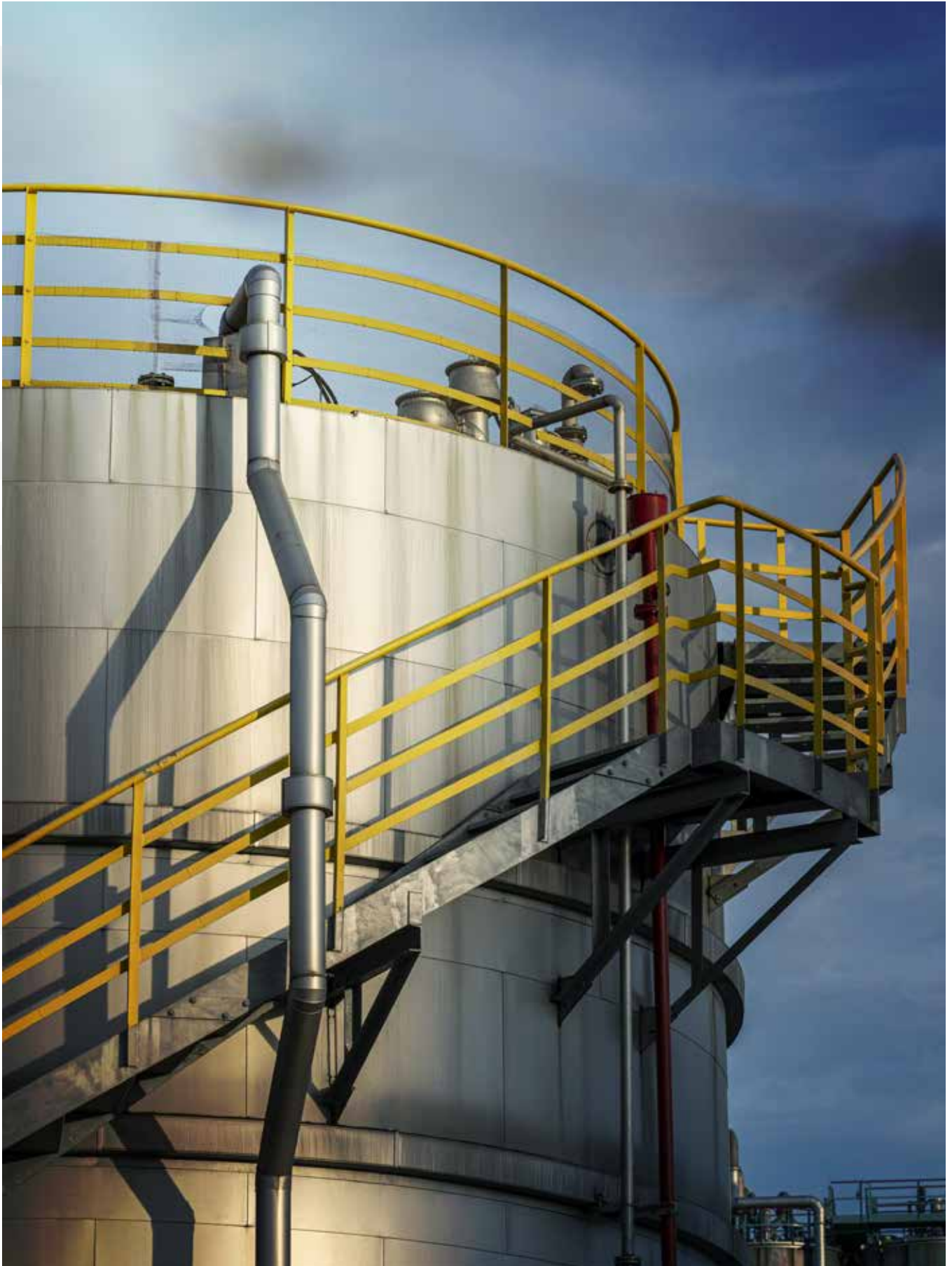
ACCESSORIES

Sketch:	Description:	Sketch:	Description:	Sketch:	Description:
	Protective grid		Hook Eye Set		Ex Plug M20x1.5
	Vertical Cable Hanging Set		Mounting bracket		Antistatic Protective peel off Foil
	Gasket		Ex Gland M20x1.5 ø7-12mm or ø10-15mm		Horizontal Cable Hanging Set



DIMENSIONS	
A	ø110mm
B	ø125mm
C	155mm
D	280mm





1



LIGHTING

Although the information in this catalog is presented in good faith and believed to be correct at the time of printing, Inpratex makes no representations or warranties as to the completeness or accuracy of the information. All corrections made after printing the catalogue, and the updated data sheets, will be displayed on our website www.inpratex.com.

The purchaser accepts our General Conditions of Sale at the time of receipt of our confirmation and/or the acceptance of the ordered goods or services.





Polígono Industrial de Matsaria, 34
20600 Eibar (Guipúzcoa) - Spain
Phone: (+34) 943 530 095 | (+34) 943 530 482
E-mail: inpratex@inpratex.com