



# CONTROL & CONNECTION EQUIPMENT

SPRI  
34 - 1º B  
INPRATEX SL



Polígono Industrial de Matsaria, 34 · 20600 Eibar (Guipúzcoa) · Spain  
Phone: (+34) 943 530 095 | (+34) 943 530 482  
inpratex@inpratex.com

[www.inpratex.com](http://www.inpratex.com)



# EXPLOSION PROOF PRODUCTS AND SOLUTIONS FOR HAZARDOUS AREAS.

## Equipment supply, Engineering and Manufacturing.

Inpratex provides a wide range of custom-made products and solutions for different industries operating in hazardous and potentially explosive environments.



Inpratex SL is based in Eibar (Gipuzkoa, Spain). We are specialists in supplying equipment, in engineering and in the manufacture of products for industries working in Hazardous Areas.

Our engineering team provides solutions combining the limitations related to the use of the equipment with the potentially dangerous environment in which it must be used.

Inpratex supplies ATEX/IECEx equipment and custom-made solutions for manufacturing and process industries.



A photograph of an open industrial control cabinet. The cabinet is light grey with a perforated door. Inside, there is a complex arrangement of electrical components. At the top, there is a terminal block with numerous colored wires (red, blue, yellow, green) connected to it. Below the terminal block, there are several rows of electrical components, including what appears to be a control unit with a digital display and buttons. The cabinet is mounted on a metal frame, and the background shows a wooden ceiling structure.

4

# CONTROL & CONNECTION EQUIPMENT





## 4 - CONTROL & CONNECTION EQUIPMENT

Connection and Control equipment suitable for installation in areas with explosion risk.

Junction and distribution boxes with enclosures manufactured in GRP (Glass Reinforced Polyester), Aluminium or Stainless Steel, fully configurable by the customer in terms of number of terminals and cable entries. Equipped for installations with armoured or unarmoured cable.

ATEX switches and disconnectors with aluminium or GRP housings, suitable for use in petrochemicals, off-shore platforms, Oil&Gas, refineries, etc.

Configurable control stations: start-stop, emergency mushrooms, pushbuttons, Indicator lights, etc...

Plug and socket outlets and compact connectors, manufactured in high performance and completely waterproof polyamide, with built-in cutting power, suitable for use in Zones 1, 2 (gas) and 21, 22 (dust).

ATEX limit switches with a wide range of adaptability and installation options.

Earthing & Grounding devices.

<b>4.1 - ALUMINIUM TERMINAL BOXES</b>	<b>6</b>
<b>4.2 - GRP TERMINAL BOXES</b>	<b>26</b>
<b>4.3 - STAINLESS STEEL TERMINAL BOXES</b>	<b>52</b>
<b>4.4 - SWITCHES</b>	<b>56</b>
<b>4.5 - CONTROL STATIONS</b>	<b>66</b>
<b>4.6 - PLUG &amp; SOCKETS</b>	<b>102</b>
<b>4.7 - LIMIT SWITCHES</b>	<b>116</b>
<b>4.8 - EARTHING &amp; GROUNDING DEVICES</b>	<b>130</b>



4.1

# ALUMINIUM TERMINAL BOXES

# JUNCTION BOX SERIE S

Zones 1, 2, 21, 22

Full catalogue available on our website: [www.inpratex.com](http://www.inpratex.com)

## ATEX JUNCTION BOXES

ZONES 1, 2 (gas) & 21, 22 (dust)



Explosion-proof junction boxes ideal for routing and interconnecting the wires at the intersection of the conduits.

Supplied with rough surface or outside painted according to customer specifications.





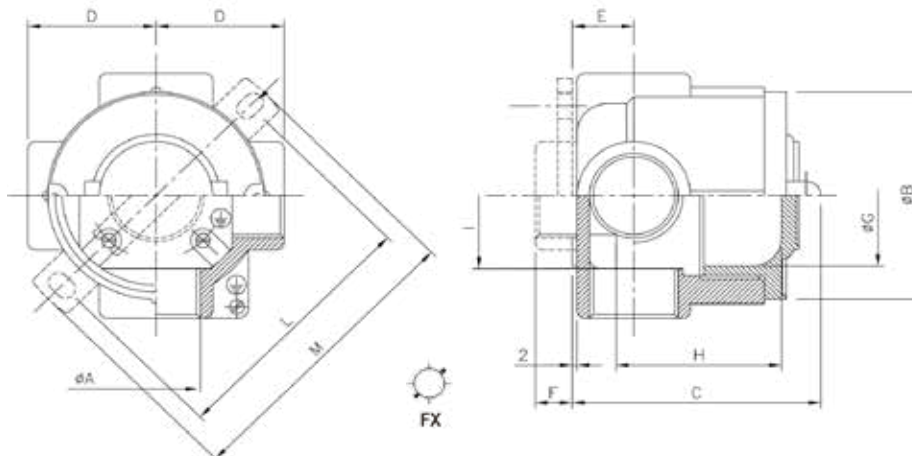
EU-Type Examination Certificate

### ITEM REFERENCES

Designation:	External dimensions (mm):					Internal dimensions (mm):			Mounting brackets (mm):		Weight:	Item No.:
	ØB	C	D	E	ØF	G	H	I	ØL	M		
SFX 16N MM 2-8	90	78	50	20	8	70	49	70	108	126	440 gr	5A0501
SFX 26N MM 2-8	90	78	50	20	8	70	49	70	108	126	440 gr	5A0502

### TECHNICAL SPECIFICATIONS

Marking:	 II 2G Ex d IIC T6 Gb  II 2D Ex tb IIIC T85°C Db
Certificate:	EU-Type Examination Certificate
Housing:	Aluminum light alloy (Aluminox on request)
Operating temperature:	-20°C to +40°C
Terminals:	8 Terminals 2,5mm <sup>2</sup>
Ingress protection:	IP66/67
Cable entries:	
SFX 16N MM 2-8	SFX 26N MM 2-8
1/2" NPT (ØA)	3/4" NPT (ØA)





# BHD51 SERIES EXPLOSION-PROOF JUNCTION BOXES

Zones 1, 2, 21, 22

Full catalogue available on our website: [www.inpratex.com](http://www.inpratex.com)

## ATEX JUNCTION BOXES

ZONES 1, 2 (gas) & 21, 22 (dust)



Explosion-proof Ex d junction boxes.

Manufactured in copper-free aluminium, powder coated surface.



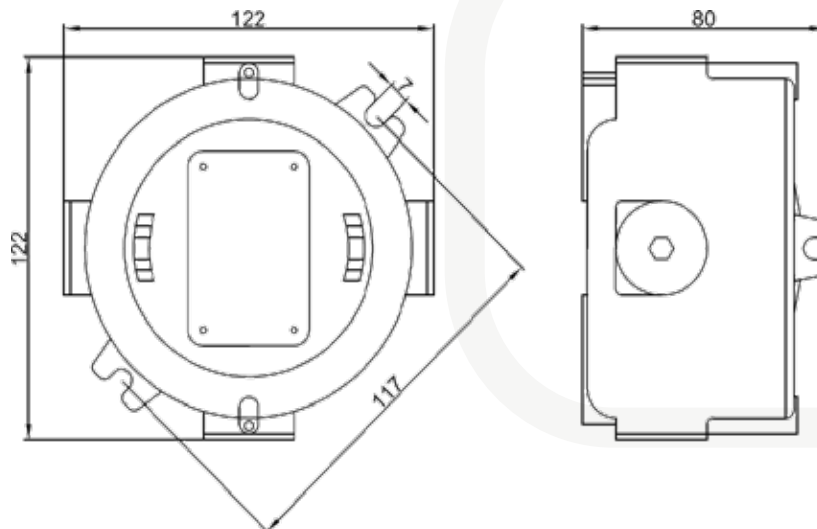
EU-Type Examination Certificate

### ITEM REFERENCES

Designation:	Weight:	Item No.:
BHD51-D/M20x1,5	0,70 kg	5A0101
BHD51-D/M25x1,5	0,70 kg	5A0102

### TECHNICAL SPECIFICATIONS

Marking:	II 2G Ex d IIC T6 Gb II 2D Ex t IIIIC T80°C Db IP66
Certificate:	EU-Type Examination Certificate
Enclosure colour:	Yellow (RAL 1021)
Operating temperature:	-60°C to +55°C
Rated voltage:	Max. 500 VAC
Rated current:	20A
Terminals:	6 terminals 2,5mm <sup>2</sup>
Ingress protection:	IP66





# ALUMINIUM JUNCTION BOX - 2 ENTRIES / 2 TERMINALS

Zones 1, 2, 21, 22

Full catalogue available on our website: [www.inpratex.com](http://www.inpratex.com)

## ATEX JUNCTION BOXES

ZONES 1, 2 (gas) & 21, 22 (dust)



Ex e aluminium junction box for hazardous areas.

The box includes 2 cable entries and is equipped with 2x2.5mm<sup>2</sup> + 1 earth terminal.



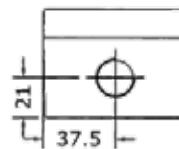
EU-Type Examination Certificate

### ITEM REFERENCES

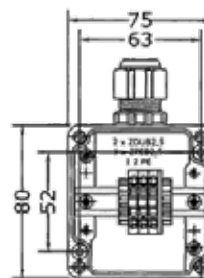
Designation:	Cable glands:	Item No.:
A21-E2-00806+2T2,5+2M20	Without cable glands	5A0806
A21-E1-00806+2T2,5+2PM20	2 plastic cable glands (4-13 mm)	5A0807
A21-E1-00806+2T2,5+1PM20+1PAM20	1 plastic cable gland (4-13 mm) + 1 brass cable gland (9-15,5 mm)	5A0808
A21-E1-00806+2T2,5+1PM20+1PANM20	1 plastic cable glands (4-13 mm) + 1 nickel plated brass cable gland (9-15,5 mm)	5A0809
A21-E1-00806+2T2,5+2PAM20	2 brass cable glands (9-15,5 mm)	5A0810
A21-E1-00806+2T2,5+2PANM20	2 nickel plated brass cable glands (9-15,5 mm)	5A0811

### TECHNICAL SPECIFICATIONS

Marking:	II 2G Ex e IIC T6 Gb II 2D Ex tb IIIC T80°C
Certificate:	EU-Type Examination Certificate
Housing:	Aluminium
Dimensions:	75x80x57mm
Operating temperature:	-20°C to +40°C
Terminals:	2 x 2,5mm <sup>2</sup> + 1 PE
Ingress protection:	IP66
Cable entries:	2xM20x1,5



Side B:  
1 tapped hole M20x1.5



Side A:  
1 plastic cable gland M20x1,5 bk (4-13mm)

# ALUMINIUM JUNCTION BOX - 6 ENTRIES / 18 TERMINALS

Zones 1, 2, 21, 22

Full catalogue available on our website: [www.inpratex.com](http://www.inpratex.com)

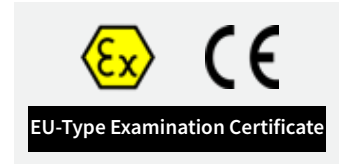
## ATEX JUNCTION BOXES

ZONES 1, 2 (gas) & 21, 22 (dust)

Ex e aluminium junction box for hazardous areas.

Manufactured in aluminum.

The box has 1xM25 and 5xM20 cable entries, and is equipped with 18 2.5mm<sup>2</sup> terminals + 2 ground terminals.

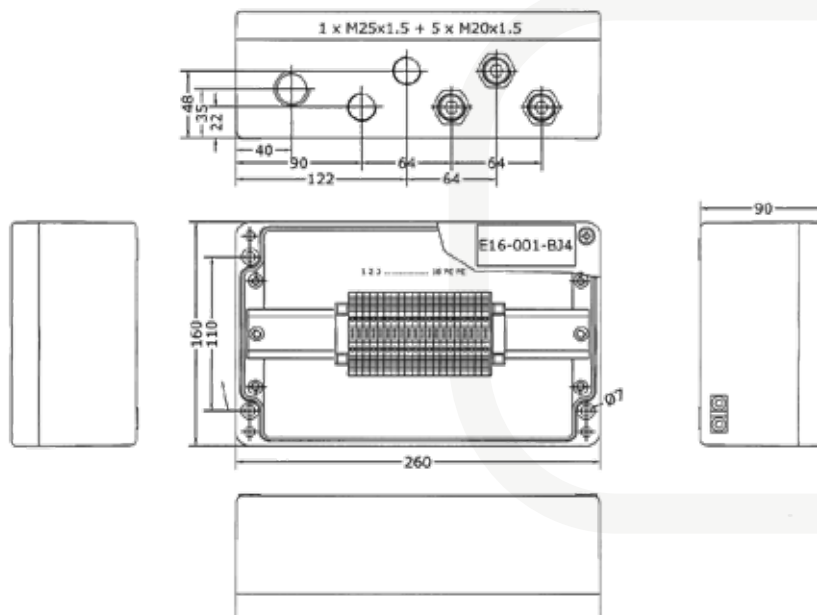


### ITEM REFERENCES

Designation:	Item No.:
A21-E2-02609+18T2,5+1M25+5M20	5A0812

### TECHNICAL SPECIFICATIONS

Marking:	II 2G Ex e IIC T6 Gb II 2D Ex tb IIIC T80°C
Certificate:	EU-Type Examination Certificate
Housing:	Aluminium   Optional tag white background and black text (80x30 mm)
Dimensions:	260x160x90mm
Operating temperature:	-20°C to +40°C
Terminals:	18 x 2,5mm <sup>2</sup> + 2 PE
Ingress protection:	IP65
Cable entries:	1x M25x1,5   5x M20x1,5





# ALUMINIUM JUNCTION BOX - 10 ENTRIES / 36 TERMINALS

Zones 1, 2, 21, 22

Full catalogue available on our website: [www.inpratex.com](http://www.inpratex.com)

## ATEX JUNCTION BOXES

ZONES 1, 2 (gas) & 21, 22 (dust)



Ex e aluminium junction box for hazardous areas.

Manufactured in aluminum.



The box has 1xM25 and 9xM20 entries, and is equipped with 36 2.5mm<sup>2</sup> terminals + 6 ground terminals.

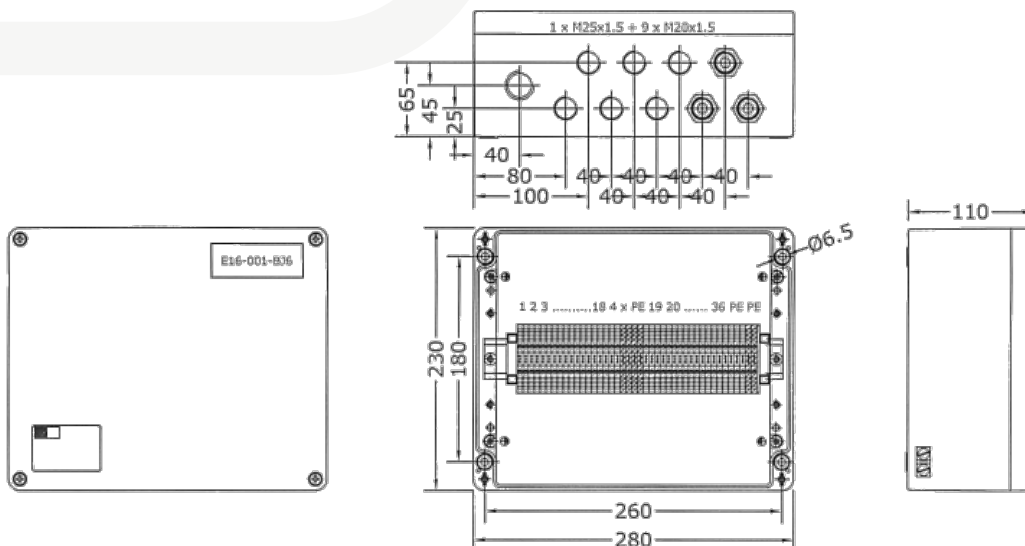


### ITEM REFERENCES

Designation:	Item No.:
A21-E2-02811+36T2,5+1M25+9M20	5A0813

### TECHNICAL SPECIFICATIONS

Marking:	 II 2G Ex e IIC T6 Gb  II 2D Ex tb IIIC T80°C
Certificate:	EU-Type Examination Certificate
Housing:	Aluminium   Optional tag white background and black text (80x30 mm)
Dimensions:	280x230x110mm
Operating temperature:	-20°C to +40°C
Terminals:	36 x 2,5mm <sup>2</sup> + 6 PE
Ingress protection:	IP65
Cable entries:	1x M25x1,5   9x M20x1,5



# EX I ALUMINIUM JUNCTION BOX - 6 ENTRIES / 21 TERMINALS

Zones 1, 2, 21, 22

Full catalogue available on our website: [www.inpratex.com](http://www.inpratex.com)

## ATEX JUNCTION BOXES

## ZONES 1, 2 (gas) & 21, 22 (dust)

Ex i aluminium junction box for hazardous areas.

Manufactured in aluminum.

The box has 1xM25 and 5xM20 cable entries, and is equipped with 21 2.5mm<sup>2</sup> blue terminals + 2 ground terminals.

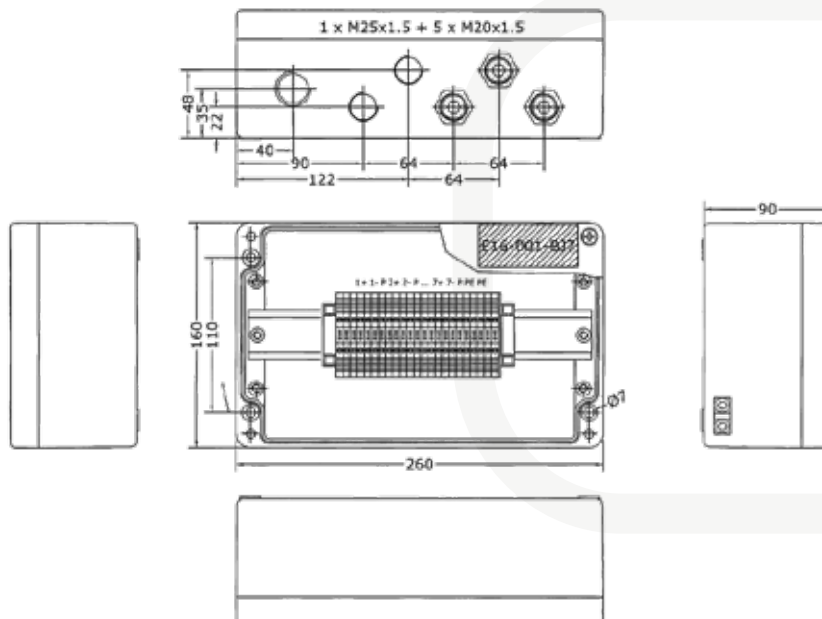


### ITEM REFERENCES

Designation:	Item No.:
A21-I2-02609+21T2,5+1M25+5M20	5A0814

### TECHNICAL SPECIFICATIONS

Marking:	II 2(1)G Ex e [ia Ga] IIC T6 Gb II 2(1)D Ex tb [ia Da] IIIC T80°C
Certificate:	EU-Type Examination Certificate
Housing:	Aluminium   Optional tag blue background and white text (80x30 mm)
Dimensions:	260x160x90mm
Operating temperature:	-20°C a +40°C
Terminals:	21 x 2,5mm <sup>2</sup> + 2 PE
Ingress protection:	IP65
Cable entries:	1x M25x1,5   5x M20x1,5





# EX I ALUMINIUM JUNCTION BOX - 8 ENTRIES / 21 TERMINALS

Zones 1, 2, 21, 22

Full catalogue available on our website: [www.inpratex.com](http://www.inpratex.com)

## ATEX JUNCTION BOXES

ZONES 1, 2 (gas) & 21, 22 (dust)



Ex i aluminium junction box for hazardous areas.

Manufactured in aluminum.

The box has 1xM25 and 7xM20 cable entries, and is equipped with 21 2.5mm<sup>2</sup> blue terminals + 2 ground terminals.



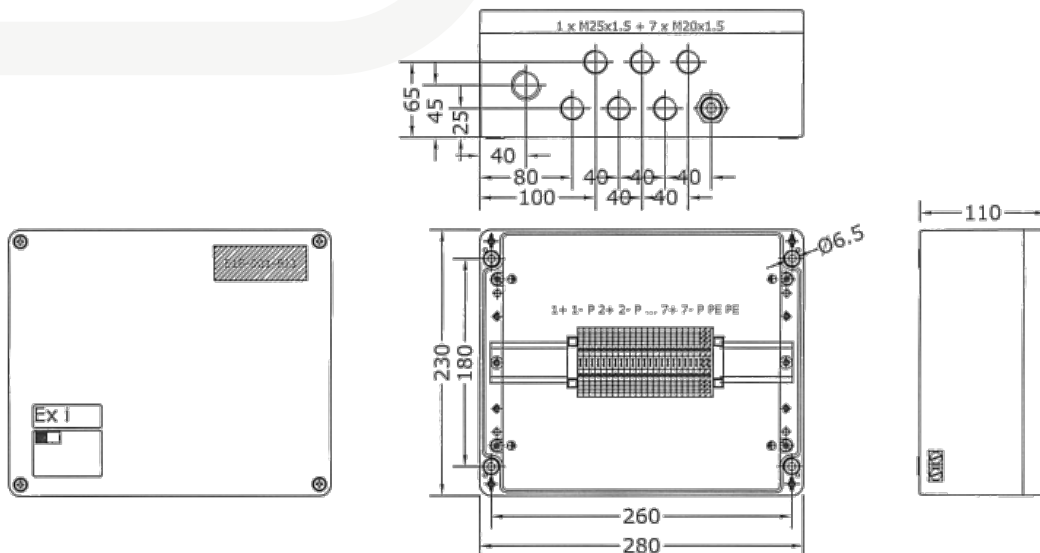
Certificado de examen de tipo

### ITEM REFERENCES

Designation:	Item No.:
A21-E2-02811+21T2,5+1M25+7M20	5A0815

### TECHNICAL SPECIFICATIONS

Marking:	II 2(1)G Ex e [ia Ga] IIC T6 Gb II 2(1)D Ex tb [ia Da] IIIC T80°C
Certificate:	CEU-Type Examination Certificate
Housing:	Aluminium   Optional tag blue background and white text (80x30 mm)
Dimensions:	280x230x110mm
Operating temperature:	-20°C to +40°C
Terminals:	21 x 2,5mm <sup>2</sup> + 2 PE
Ingress protection:	IP65
Cable entries:	1x M25x1,5   7x M20x1,5



# EX I ALUMINIUM JUNCTION BOX - 1 ENTRY / 2 EX I CONNECTORS

Zones 1, 2

Full catalogue available on our website: [www.inpratex.com](http://www.inpratex.com)



## ATEX JUNCTION BOXES

## ZONES 1, 2 (gas)



Ex i junction box certified for use in hazardous areas

Equipped with 10 x MPT 1,5S/BU terminals, 1x M20x1.5 EMC cable gland and 2x M12 Ex i connectors (male and female).



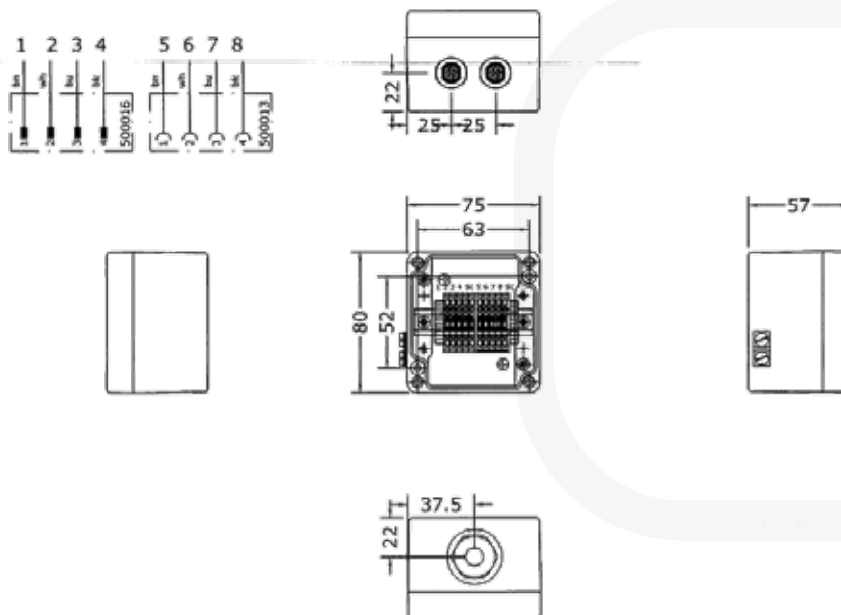
EU-Type Examination Certificate

### ITEM REFERENCES

Designation:	Configuration:	Item No.:
A21-I2-00806+10T1,5+1M20+2C	1xM20x1,5 EMC cable gland + 1 Flange plug + 1 Flange socket	5A0817

### TECHNICAL SPECIFICATIONS

Marking:	II 2(1)G Ex ia IIC T6 Gb
Certificate:	EU-Type Examination Certificate
Housing:	Aluminium
Dimensions:	75x80x57mm
Operating temperature:	-20°C to +40°C
Terminals:	10 x MPT 1,5S/BU (1 external earth connection)
Ingress protection:	IP65
Cable entries:	1xM20x1,5 nickel plated brass EMC cable gland (6-13mm)
Ex i connectors:	1 Flange plug 4 Poles (4 wires length 0,5 m) (coupler not included) 1 Flange socket 4 Poles (4 wires length 0,5 m) (plug not included)





# CONFIGURABLE EX-PROOF ALUMINIUM TERMINAL BOXES

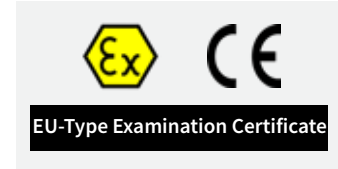
Zones 1, 2, 21, 22

Full catalogue available on our website: [www.inpratex.com](http://www.inpratex.com)

## ATEX JUNCTION BOXES

ZONES 1, 2 (gas) & 21, 22 (dust)

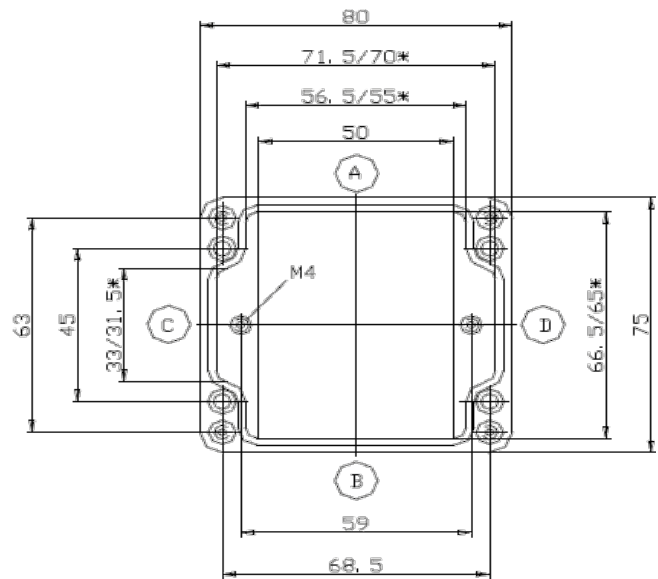
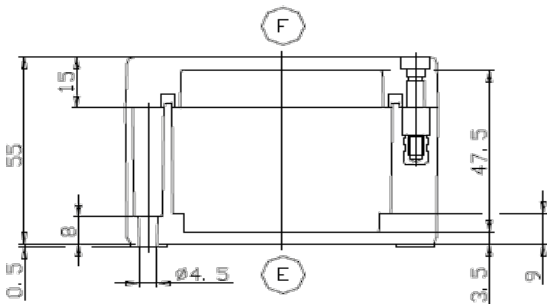
ATEX Zones 1,2,21,22 rated explosion-proof aluminium alloy junction boxes. These enclosures are suitable for those industries where potentially explosive environments exist, e.g. chemical, petrochemical and pharmaceutical industries, Oil&Gas, et...



**We don't supply empty "U" certified enclosures. These terminal boxes must be configured with the number of terminals and cable entries.**

### ITEM REFERENCES

Type:	Max. number of terminals:						Max. number of cable entries (plastic glands):							Item No.:	
	2,5 mm <sup>2</sup>	4 mm <sup>2</sup>	6 mm <sup>2</sup>	10 mm <sup>2</sup>	16 mm <sup>2</sup>	35 mm <sup>2</sup>	Size:	M16	M20	M25	M32	M40	M50		M63
Number:	8	0	0	0	0	0	A	2	1	1	0	0	0	0	5A0301..xx*
							B	2	1	1	0	0	0	0	
							C	2	1	0	0	0	0	0	
							D	2	1	0	0	0	0	0	



- \* The following should be attached to the reference of each box size:
- 1 - Type and number of terminals required (never exceed the maximum quantity shown in the table)
  - 2 - Size and number of cable entries:
    - For unarmoured cable, it may never exceed the maximum quantity shown in the table.
    - If armoured cable is used, the number of entries must be defined in each case.
- The value 0 indicates that this type of terminal / cable entry size can't be used in this box model

### TECHNICAL SPECIFICATIONS

Marking:	II 2G Ex e II T4/T6 Gb II 2G Ex ia IIC T6 Gb II 2D Ex tD A21 IP65 T80°C
Certificate:	EU-Type Examination Certificate
Operating temperature:	-50°C to +60°C
Dimensions:	75x80x57 mm
Ingress protection:	IP65
Weight:	280 g (empty)
Colour:	RAL 7001

# CONFIGURABLE EX-PROOF ALUMINIUM TERMINAL BOXES

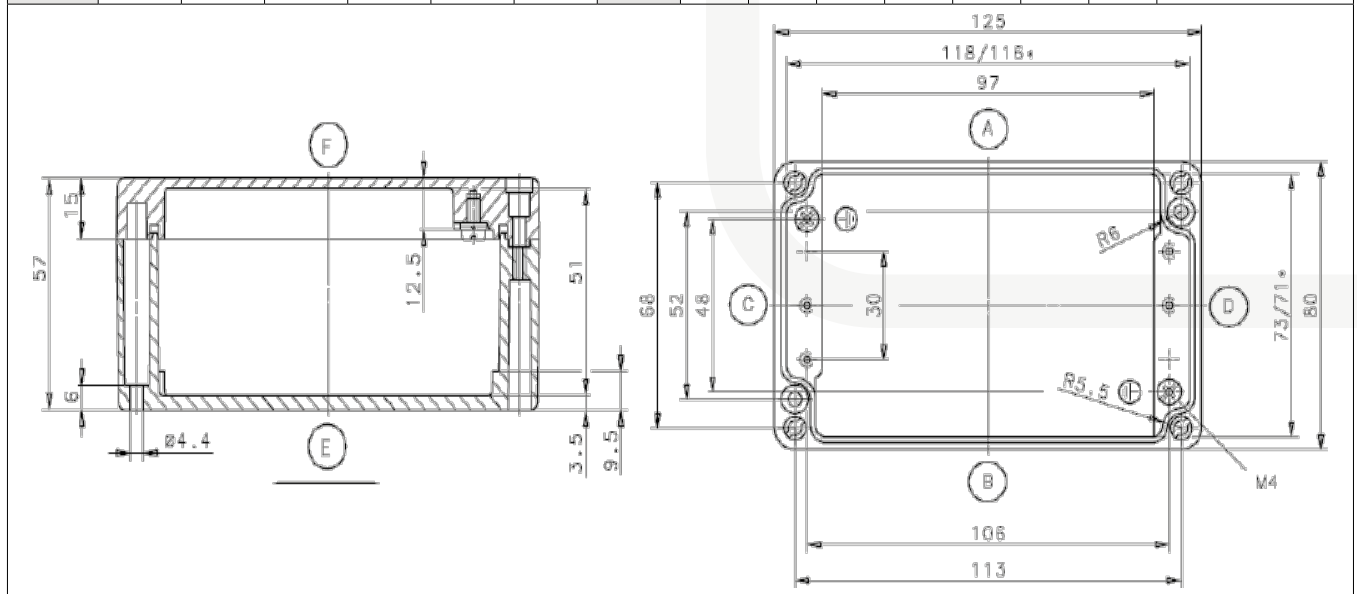
Zones 1, 2, 21, 22

Full catalogue available on our website: [www.inpratex.com](http://www.inpratex.com)

The number of cable entries and the number of terminals is configurable according to the customer's needs. The boxes are supplied finished, with the necessary terminals and with the cable entries already made.

**We don't supply empty "U" certified enclosures. These terminal boxes must be configured with the number of terminals and cable entries.**

ITEM REFERENCES															
Type:	Max. number of terminals:						Max. number of cable entries (plastic glands):							Item No.:	
	2,5 mm <sup>2</sup>	4 mm <sup>2</sup>	6 mm <sup>2</sup>	10 mm <sup>2</sup>	16 mm <sup>2</sup>	35 mm <sup>2</sup>	Size:	M16	M20	M25	M32	M40	M50		M63
Number:	17	0	0	0	0	0	A	4	3	2	0	0	0	0	5A0302..xx*
							B	4	3	2	0	0	0	0	
							C	2	1	0	0	0	0	0	
							D	2	1	0	0	0	0	0	



\* The following should be attached to the reference of each box size:  
 1 - Type and number of terminals required (never exceed the maximum quantity shown in the table)  
 2 - Size and number of cable entries:  
 - For unarmoured cable, it may never exceed the maximum quantity shown in the table.  
 - If armoured cable is used, the number of entries must be defined in each case.  
 The value 0 indicates that this type of terminal / cable entry size can't be used in this box model

TECHNICAL SPECIFICATIONS	
Marking:	II 2G Ex e II T4/T6 Gb II 2G Ex ia IIC T6 Gb II 2D Ex tD A21 IP65 T80°C
Certificate:	EU-Type Examination Certificate
Operating temperature:	-50°C to +60°C
Dimensions:	125x80x57 mm
Ingress protection:	IP65
Weight:	435 g (empty)
Colour:	RAL 7001

# CONFIGURABLE EX-PROOF ALUMINIUM TERMINAL BOXES

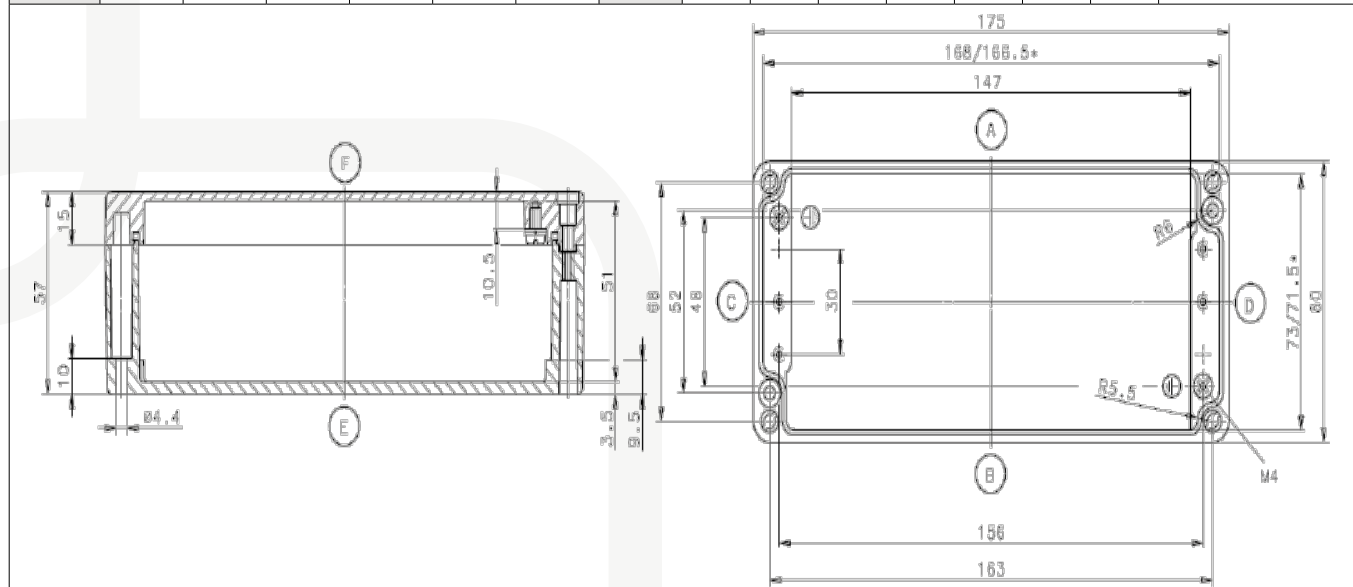
Zones 1, 2, 21, 22

Full catalogue available on our website: [www.inpratex.com](http://www.inpratex.com)

The number of cable entries and the number of terminals is configurable according to the customer's needs. The boxes are supplied finished, with the necessary terminals and with the cable entries already made.

**We don't supply empty "U" certified enclosures. These terminal boxes must be configured with the number of terminals and cable entries.**

ITEM REFERENCES															
Max. number of terminals:							Max. number of cable entries (plastic glands):							Item No.:	
Type:	2,5 mm <sup>2</sup>	4 mm <sup>2</sup>	6 mm <sup>2</sup>	10 mm <sup>2</sup>	16 mm <sup>2</sup>	35 mm <sup>2</sup>	Size::	M16	M20	M25	M32	M40	M50	M63	5A0303..xx*
Number:	27	0	0	0	0	0	A	6	4	4	0	0	0	0	
							B	6	4	4	0	0	0	0	
							C	2	1	0	0	0	0	0	
							D	2	1	0	0	0	0	0	



\* The following should be attached to the reference of each box size:  
 1 - Type and number of terminals required (never exceed the maximum quantity shown in the table)  
 2 - Size and number of cable entries:  
 - For unarmoured cable, it may never exceed the maximum quantity shown in the table.  
 - If armoured cable is used, the number of entries must be defined in each case.  
 The value 0 indicates that this type of terminal / cable entry size can't be used in this box model

TECHNICAL SPECIFICATIONS	
Marking:	II 2G Ex e II T4/T6 Gb II 2G Ex ia IIC T6 Gb II 2D Ex tD A21 IP65 T80°C
Certificate:	EU-Type Examination Certificate
Operating temperature:	-50°C to +60°C
Dimensions:	175x80x57 mm
Ingress protection:	IP65
Weight:	530 g (empty)
Colour:	RAL 7001



# CONFIGURABLE EX-PROOF ALUMINIUM TERMINAL BOXES

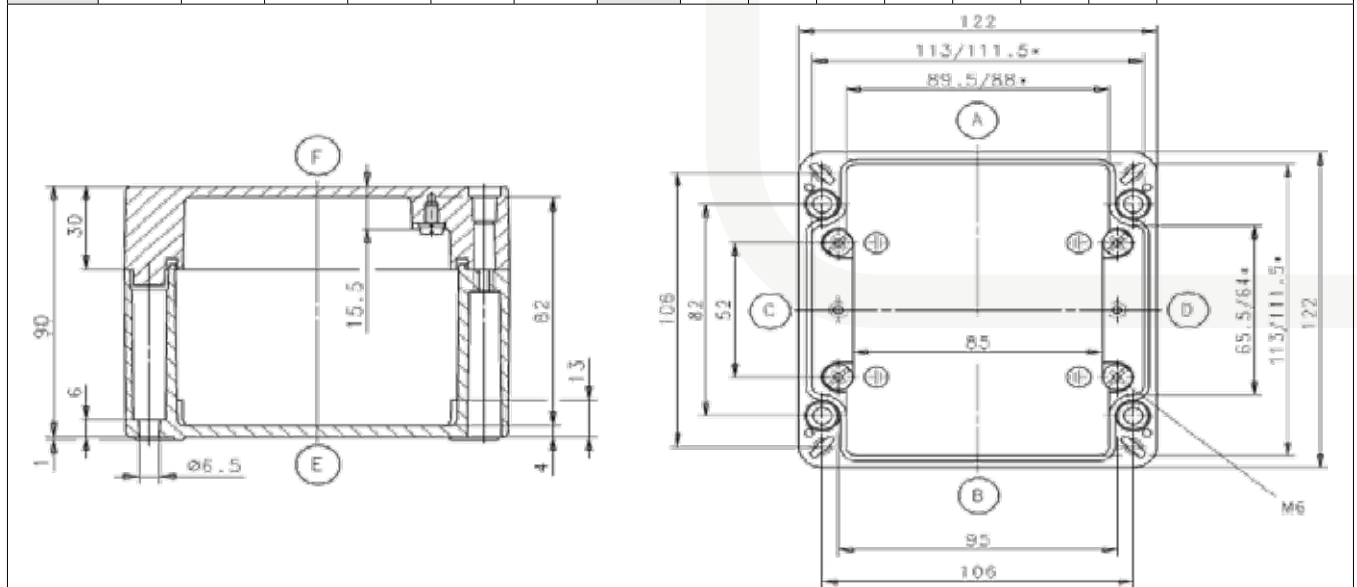
Zones 1, 2, 21, 22

Full catalogue available on our website: [www.inpratex.com](http://www.inpratex.com)

The number of cable entries and the number of terminals is configurable according to the customer's needs. The boxes are supplied finished, with the necessary terminals and with the cable entries already made.

**We don't supply empty "U" certified enclosures. These terminal boxes must be configured with the number of terminals and cable entries.**

ITEM REFERENCES															
Type:	Max. number of terminals:						Max. number of cable entries (plastic glands):							Item No.:	
	2,5 mm <sup>2</sup>	4 mm <sup>2</sup>	6 mm <sup>2</sup>	10 mm <sup>2</sup>	16 mm <sup>2</sup>	35 mm <sup>2</sup>	Size:	M16	M20	M25	M32	M40	M50		M63
Number:	15	13	9	7	0	0	A	6	4	2	2	1	0	0	5A0304..xx*
							B	6	4	2	2	1	0	0	
							C	2	1	1	0	0	0	0	
							D	2	1	1	0	0	0	0	



\* The following should be attached to the reference of each box size:  
 1 - Type and number of terminals required (never exceed the maximum quantity shown in the table)  
 2 - Size and number of cable entries:  
 - For unarmoured cable, it may never exceed the maximum quantity shown in the table.  
 - If armoured cable is used, the number of entries must be defined in each case.  
 The value 0 indicates that this type of terminal / cable entry size can't be used in this box model

TECHNICAL SPECIFICATIONS	
Marking:	II 2G Ex e II T4/T6 Gb II 2G Ex ia IIC T6 Gb II 2D Ex tD A21 IP65 T80°C
Certificate:	EU-Type Examination Certificate
Operating temperature:	-50°C to +60°C
Dimensions:	122x122x90 mm
Ingress protection:	IP65
Weight:	920 g (empty)
Colour:	RAL 7001

# CONFIGURABLE EX-PROOF ALUMINIUM TERMINAL BOXES

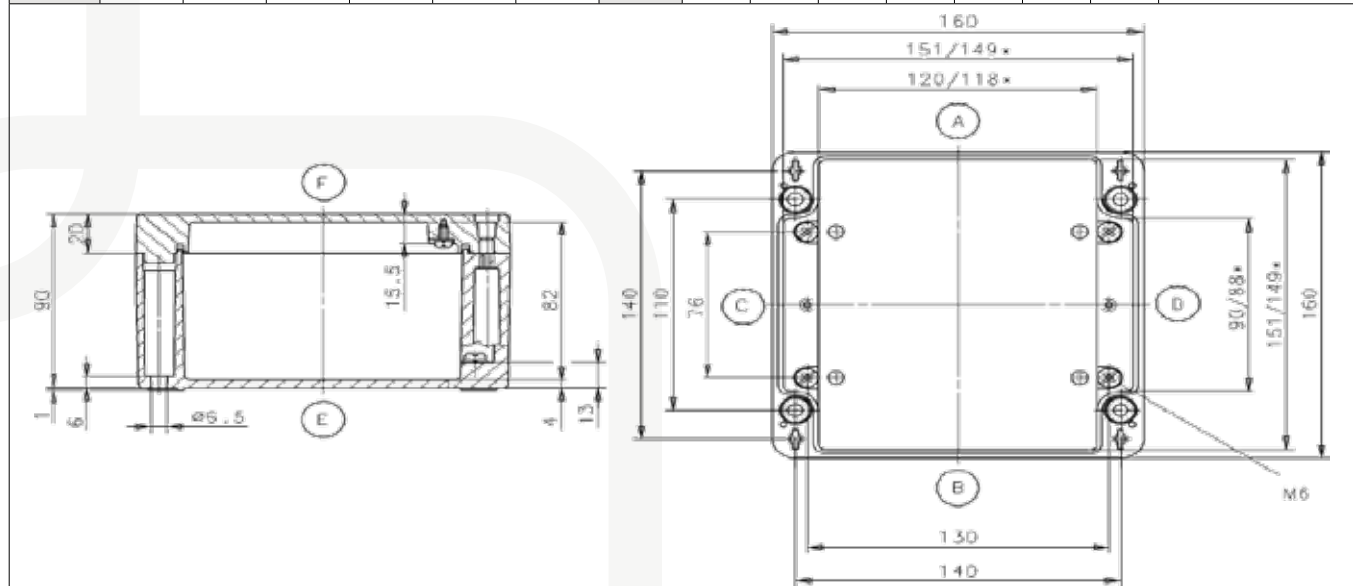
Zones 1, 2, 21, 22

Full catalogue available on our website: [www.inpratex.com](http://www.inpratex.com)

The number of cable entries and the number of terminals is configurable according to the customer's needs. The boxes are supplied finished, with the necessary terminals and with the cable entries already made.

**We don't supply empty "U" certified enclosures. These terminal boxes must be configured with the number of terminals and cable entries.**

ITEM REFERENCES															
Max. number of terminals:							Max. number of cable entries (plastic glands):							Item No.:	
Type:	2,5 mm <sup>2</sup>	4 mm <sup>2</sup>	6 mm <sup>2</sup>	10 mm <sup>2</sup>	16 mm <sup>2</sup>	35 mm <sup>2</sup>	Size:	M16	M20	M25	M32	M40	M50	M63	5A0305..xx*
Number:	22	18	13	11	9	0	A	9	6	4	2	2	1	0	
							B	9	6	4	2	2	1	0	
							C	4	3	2	2	0	0	0	
							D	4	3	2	2	0	0	0	



\* The following should be attached to the reference of each box size:  
 1 - Type and number of terminals required (never exceed the maximum quantity shown in the table)  
 2 - Size and number of cable entries:  
 - For unarmoured cable, it may never exceed the maximum quantity shown in the table.  
 - If armoured cable is used, the number of entries must be defined in each case.  
 The value 0 indicates that this type of terminal / cable entry size can't be used in this box model

TECHNICAL SPECIFICATIONS	
Marking:	II 2G Ex e II T4/T6 Gb II 2G Ex ia IIC T6 Gb II 2D Ex td A21 IP65 T80°C
Certificate:	EU-Type Examination Certificate
Operating temperature:	-50°C to +60°C
Dimensions:	160x160x90 mm
Ingress protection:	IP65
Weight:	1410 g (empty)
Colour:	RAL 7001

# CONFIGURABLE EX-PROOF ALUMINIUM TERMINAL BOXES

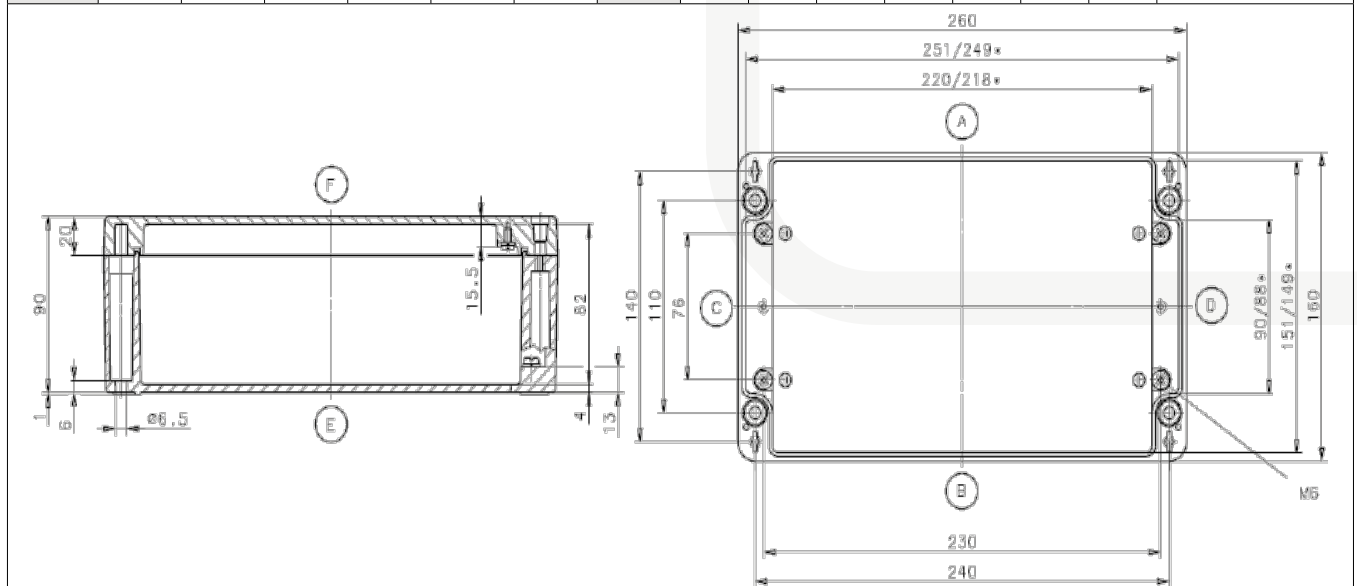
Zones 1, 2, 21, 22

Full catalogue available on our website: [www.inpratex.com](http://www.inpratex.com)

The number of cable entries and the number of terminals is configurable according to the customer's needs. The boxes are supplied finished, with the necessary terminals and with the cable entries already made.

**We don't supply empty "U" certified enclosures. These terminal boxes must be configured with the number of terminals and cable entries.**

ITEM REFERENCES															
Max. number of terminals:							Max. number of cable entries (plastic glands):							Item No.:	
Type:	2,5 mm <sup>2</sup>	4 mm <sup>2</sup>	6 mm <sup>2</sup>	10 mm <sup>2</sup>	16 mm <sup>2</sup>	35 mm <sup>2</sup>	Size:	M16	M20	M25	M32	M40	M50	M63	5A0306..xx*
Number:	42	35	26	21	17	0	A	17	12	7	4	3	3	0	
							B	17	12	7	4	3	3	0	
							C	4	3	2	2	0	0	0	
							D	4	3	2	2	0	0	0	



\* The following should be attached to the reference of each box size:

- 1 - Type and number of terminals required (never exceed the maximum quantity shown in the table)
- 2 - Size and number of cable entries:
  - For unarmoured cable, it may never exceed the maximum quantity shown in the table.
  - If armoured cable is used, the number of entries must be defined in each case.

The value 0 indicates that this type of terminal / cable entry size can't be used in this box model

TECHNICAL SPECIFICATIONS	
Marking:	II 2G Ex e II T4/T6 Gb II 2G Ex ia IIC T6 Gb II 2D Ex tD A21 IP65 T80°C
Certificate:	EU-Type Examination Certificate
Operating temperature:	-50°C to +60°C
Dimensions:	260x160x90 mm
Ingress protection:	IP65
Weight:	1960 g (empty)
Colour:	RAL 7001



# CONFIGURABLE EX-PROOF ALUMINIUM TERMINAL BOXES

Zones 1, 2, 21, 22

Full catalogue available on our website: [www.inpratex.com](http://www.inpratex.com)

The number of cable entries and the number of terminals is configurable according to the customer's needs. The boxes are supplied finished, with the necessary terminals and with the cable entries already made.

**We don't supply empty "U" certified enclosures. These terminal boxes must be configured with the number of terminals and cable entries.**

4



CONTROL & CONNECTION EQUIPMENT

ITEM REFERENCES															
Max. number of terminals:							Max. number of cable entries (plastic glands):							Item No.:	
Type:	2,5 mm <sup>2</sup>	4 mm <sup>2</sup>	6 mm <sup>2</sup>	10 mm <sup>2</sup>	16 mm <sup>2</sup>	35 mm <sup>2</sup>	Size:	M16	M20	M25	M32	M40	M50	M63	5A0307..xx*
Number:	62	51	38	31	25	0	A	26	18	11	6	5	4	0	
							B	26	18	11	6	5	4	0	
							C	4	3	2	2	0	0	0	
							D	4	3	2	2	0	0	0	

\* The following should be attached to the reference of each box size:  
 1 - Type and number of terminals required (never exceed the maximum quantity shown in the table)  
 2 - Size and number of cable entries:  
 - For unarmoured cable, it may never exceed the maximum quantity shown in the table.  
 - If armoured cable is used, the number of entries must be defined in each case.  
 The value 0 indicates that this type of terminal / cable entry size can't be used in this box model

TECHNICAL SPECIFICATIONS	
Marking:	II 2G Ex e II T4/T6 Gb II 2G Ex ia IIC T6 Gb II 2D Ex td A21 IP65 T80°C
Certificate:	EU-Type Examination Certificate
Operating temperature:	-50°C to +60°C
Dimensions:	360x160x90 mm
Ingress protection:	IP65
Weight:	2550 g (empty)
Colour:	RAL 7001

# CONFIGURABLE EX-PROOF ALUMINIUM TERMINAL BOXES

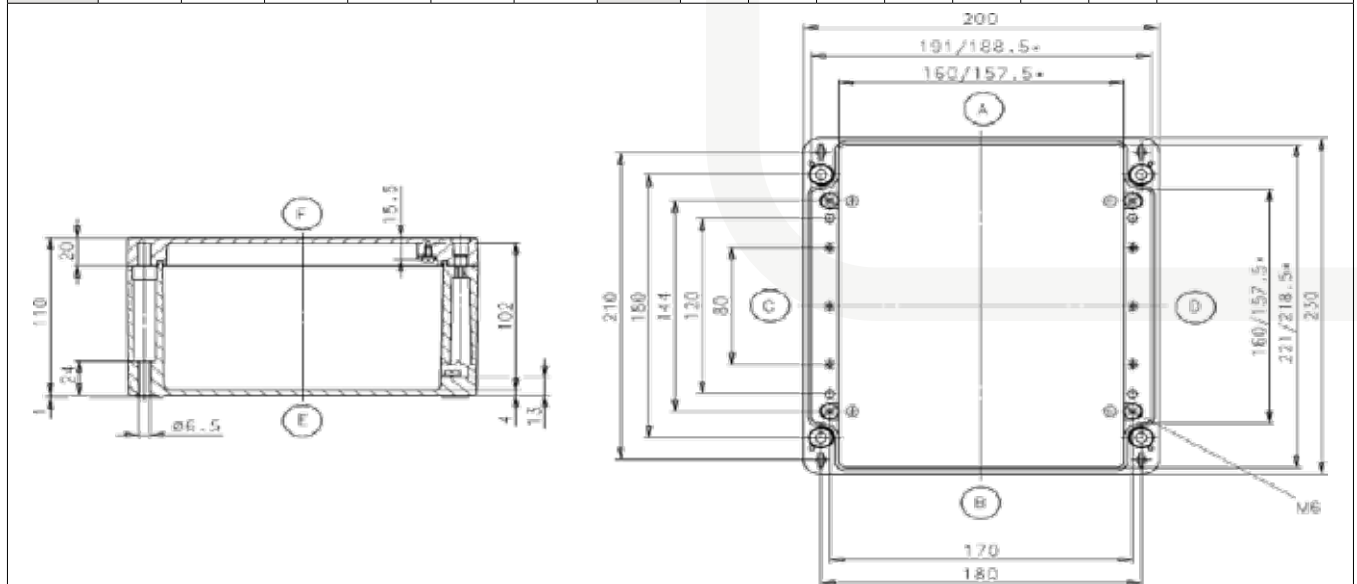
Zones 1, 2, 21, 22

Full catalogue available on our website: [www.inpratex.com](http://www.inpratex.com)




The number of cable entries and the number of terminals is configurable according to the customer's needs. The boxes are supplied finished, with the necessary terminals and with the cable entries already made.

**We don't supply empty "U" certified enclosures. These terminal boxes must be configured with the number of terminals and cable entries.**

ITEM REFERENCES														
Max. number of terminals:							Max. number of cable entries (plastic glands):							Item No.:
Type:	2,5 mm <sup>2</sup>	4 mm <sup>2</sup>	6 mm <sup>2</sup>	10 mm <sup>2</sup>	16 mm <sup>2</sup>	35 mm <sup>2</sup>	Size:	M16	M20	M25	M32	M40	M50	M63
Number:	60	50	18	15	12	0	A	15	12	8	4	3	2	2
							B	15	12	8	4	3	2	2
							C	12	8	5	3	2	2	1
							D	12	8	5	3	2	2	1
														5A0308..xx*



\* The following should be attached to the reference of each box size:  
 1 - Type and number of terminals required (never exceed the maximum quantity shown in the table)  
 2 - Size and number of cable entries:  
 - For unarmoured cable, it may never exceed the maximum quantity shown in the table.  
 - If armoured cable is used, the number of entries must be defined in each case.  
 The value 0 indicates that this type of terminal / cable entry size can't be used in this box model

TECHNICAL SPECIFICATIONS	
Marking:	 II 2G Ex e II T4/T6 Gb  II 2G Ex ia IIC T6 Gb  II 2D Ex tD A21 IP65 T80°C
Certificate:	EU-Type Examination Certificate
Operating temperature:	-50°C to +60°C
Dimensions::	200x230x110 mm
Ingress protection:	IP65
Weight:	2730 g (empty)
Colour:	RAL 7001

# CONFIGURABLE EX-PROOF ALUMINIUM TERMINAL BOXES

Zones 1, 2, 21, 22

Full catalogue available on our website: [www.inpratex.com](http://www.inpratex.com)

The number of cable entries and the number of terminals is configurable according to the customer's needs. The boxes are supplied finished, with the necessary terminals and with the cable entries already made.

**We don't supply empty "U" certified enclosures. These terminal boxes must be configured with the number of terminals and cable entries.**

4



CONTROL & CONNECTION EQUIPMENT

ITEM REFERENCES															
Max. number of terminals:							Max. number of cable entries (plastic glands):							Item No.:	
Type:	2,5 mm <sup>2</sup>	4 mm <sup>2</sup>	6 mm <sup>2</sup>	10 mm <sup>2</sup>	16 mm <sup>2</sup>	35 mm <sup>2</sup>	Size:	M16	M20	M25	M32	M40	M50	M63	5A0309..xx*
Number:	92	76	28	23	19	14	A	25	18	11	7	4	3	3	
							B	25	18	11	7	4	3	3	
							C	12	8	5	3	2	2	1	
							D	12	8	5	3	2	2	1	

\* The following should be attached to the reference of each box size:  
 1 - Type and number of terminals required (never exceed the maximum quantity shown in the table)  
 2 - Size and number of cable entries:  
 - For unarmoured cable, it may never exceed the maximum quantity shown in the table.  
 - If armoured cable is used, the number of entries must be defined in each case.  
 The value 0 indicates that this type of terminal / cable entry size can't be used in this box model

TECHNICAL SPECIFICATIONS	
Marking:	II 2G Ex e II T4/T6 Gb II 2G Ex ia IIC T6 Gb II 2D Ex td A21 IP65 T80°C
Certificate:	EU-Type Examination Certificate
Operating temperature:	-50°C to +60°C
Dimensions:	280x230x110 mm
Ingress protection:	IP65
Weight:	3840 g (empty)
Colour:	RAL 7001



# CONFIGURABLE EX-PROOF ALUMINIUM TERMINAL BOXES

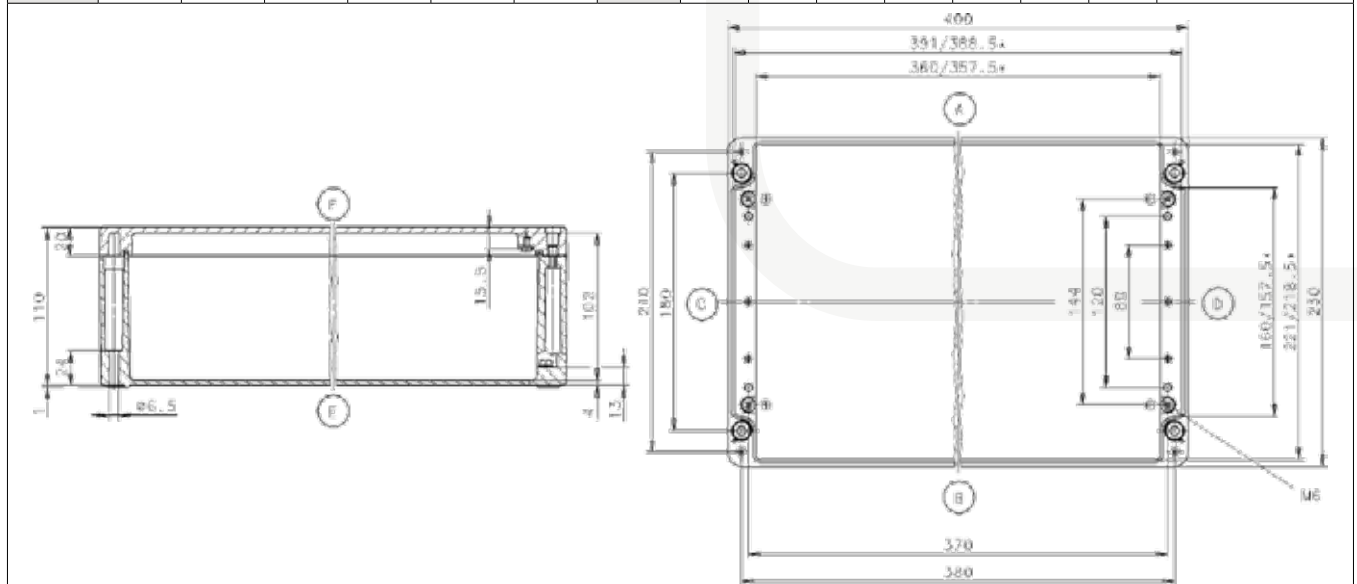
Zones 1, 2, 21, 22

Full catalogue available on our website: [www.inpratex.com](http://www.inpratex.com)




The number of cable entries and the number of terminals is configurable according to the customer's needs. The boxes are supplied finished, with the necessary terminals and with the cable entries already made.

**We don't supply empty "U" certified enclosures. These terminal boxes must be configured with the number of terminals and cable entries.**

ITEM REFERENCES														
Max. number of terminals:							Max. number of cable entries (plastic glands):							Item No.:
Type:	2,5 mm <sup>2</sup>	4 mm <sup>2</sup>	6 mm <sup>2</sup>	10 mm <sup>2</sup>	16 mm <sup>2</sup>	35 mm <sup>2</sup>	Size:	M16	M20	M25	M32	M40	M50	M63
Number:	140	116	43	35	29	21	A	38	27	17	11	6	5	4
							B	38	27	17	11	6	5	4
							C	12	8	5	3	2	2	1
							D	12	8	5	3	2	2	1
5A0310..xx*														




- \* The following should be attached to the reference of each box size:
- 1 - Type and number of terminals required (never exceed the maximum quantity shown in the table)
  - 2 - Size and number of cable entries:
    - For unarmoured cable, it may never exceed the maximum quantity shown in the table.
    - If armoured cable is used, the number of entries must be defined in each case.
- The value 0 indicates that this type of terminal / cable entry size can't be used in this box model

TECHNICAL SPECIFICATIONS	
Marking:	 II 2G Ex e II T4/T6 Gb  II 2G Ex ia IIC T6 Gb  II 2D Ex tD A21 IP65 T80°C
Certificate:	EU-Type Examination Certificate
Operating temperature:	-50°C to +60°C
Dimensions:	400x230x110 mm
Ingress protection:	IP65
Weight:	4870 g (empty)
Colour:	RAL 7001





A photograph of an open industrial terminal box. The box is light grey with a perforated door. The interior is filled with various electrical components, including a terminal block with many colored wires (red, blue, yellow, green) connected to it. Below the terminal block, there are several rows of terminal blocks and a large grey control unit with a red emergency stop button and a green start button. The box is mounted on a metal rack in a factory or industrial setting.

4.2

# GRP TERMINAL BOXES

# CONFIGURABLE EX E GRP JUNCTION BOXES

Zones 1, 2, 21, 22

Full catalogue available on our website: [www.inpratex.com](http://www.inpratex.com)

## ATEX JUNCTION BOXES

ZONES 1, 2 (gas) & 21, 22 (dust)



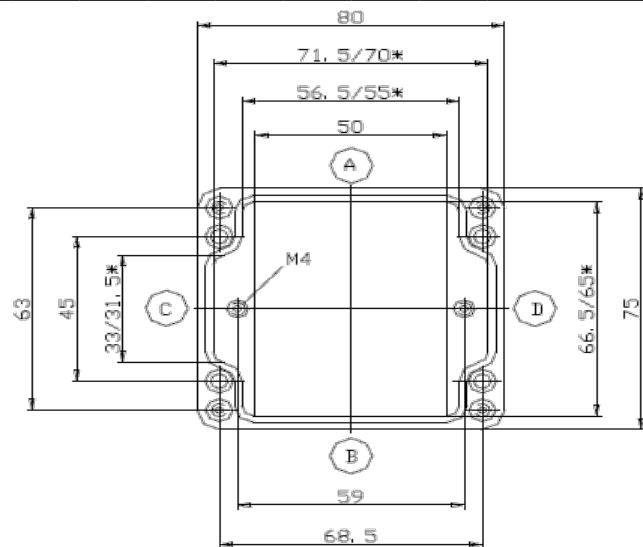
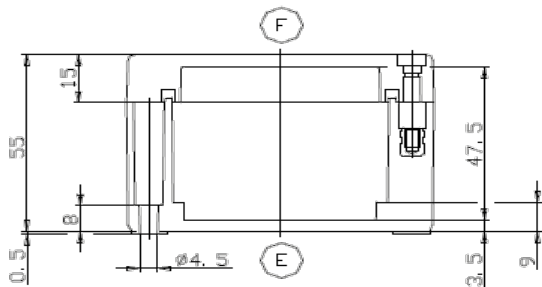
EU-Type Examination Certificate

**We don't supply empty "U" certified enclosures. These terminal boxes must be configured with the number of terminals and cable entries.**

GRP (glass-reinforced polyester) junction box range, suitable for use within ATEX-rated Ex e Increased Safety areas. Supplied fully assembled and certified, please confirm your terminal and gland size/s and quantity requirements when enquiring.

### ITEM REFERENCES

Type:	Max. number of terminals:						Max. number of cable entries (plastic glands):							Item No.:	
	2,5 mm <sup>2</sup>	4 mm <sup>2</sup>	6 mm <sup>2</sup>	10 mm <sup>2</sup>	16 mm <sup>2</sup>	35 mm <sup>2</sup>	Size:	M16	M20	M25	M32	M40	M50		M63
Number:	7	0	0	0	0	0	A	2	2	1	0	0	0	0	5A0201..xx*
							B	2	2	1	0	0	0	0	
							C	1	1	0	0	0	0	0	
							D	1	1	0	0	0	0	0	



\* The following should be attached to the reference of each box size:

1 - Type and number of terminals required (never exceed the maximum quantity shown in the table)

2 - Size and number of cable entries:

- For unarmoured cable, it may never exceed the maximum quantity shown in the table.

- If armoured cable is used, the number of entries must be defined in each case.

The value 0 indicates that this type of terminal / cable entry size can't be used in this box model

### TECHNICAL SPECIFICATIONS

Marking:	II 2G Ex e II T4/T6 Gb II 2G Ex ia IIC T6 Gb II 2D Ex tD A21 IP65 T80°C
Certificate:	EU-Type Examination Certificate
Operating temperature:	-50°C to +60°C
Dimensions:	80x75x55 mm
Ingress protection:	IP65
Weight:	230 g (empty)
Colour:	RAL 9005





# CONFIGURABLE EX E GRP JUNCTION BOXES

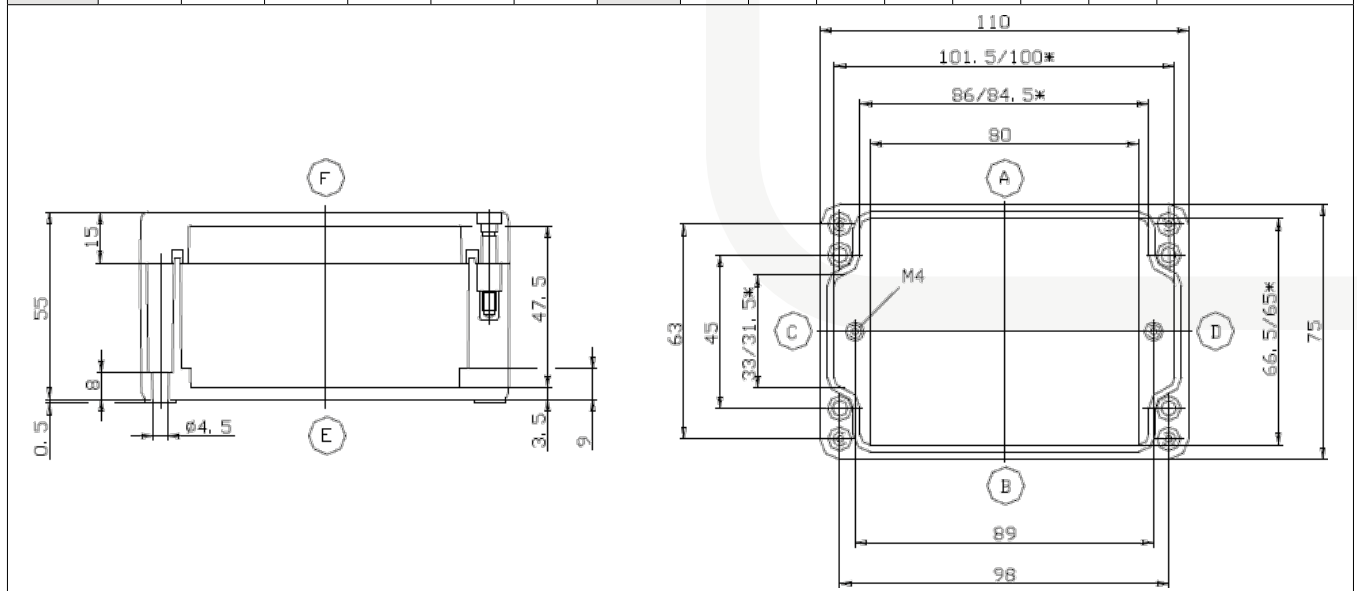
Zones 1, 2, 21, 22

Full catalogue available on our website: [www.inpratex.com](http://www.inpratex.com)

The number of cable entries and the number of terminals is configurable according to the customer's needs. The boxes are supplied finished, with the necessary terminals and with the cable entries already made.

**We don't supply empty "U" certified enclosures. These terminal boxes must be configured with the number of terminals and cable entries.**

ITEM REFERENCES														
Max. number of terminals:							Max. number of cable entries (plastic glands):							Item No.:
Type:	2,5 mm <sup>2</sup>	4 mm <sup>2</sup>	6 mm <sup>2</sup>	10 mm <sup>2</sup>	16 mm <sup>2</sup>	35 mm <sup>2</sup>	Size:	M16	M20	M25	M32	M40	M50	M63
Number:	13	0	0	0	0	0	A	3	3	2	0	0	0	0
							B	3	3	2	0	0	0	0
							C	1	1	0	0	0	0	0
							D	1	1	0	0	0	0	0
														5A0202..xx*



\* The following should be attached to the reference of each box size:

- 1 - Type and number of terminals required (never exceed the maximum quantity shown in the table)
- 2 - Size and number of cable entries:
  - For unarmoured cable, it may never exceed the maximum quantity shown in the table.
  - If armoured cable is used, the number of entries must be defined in each case.

The value 0 indicates that this type of terminal / cable entry size can't be used in this box model

TECHNICAL SPECIFICATIONS	
Marking:	II 2G Ex e II T4/T6 Gb II 2G Ex ia IIC T6 Gb II 2D Ex tD A21 IP65 T80°C
Certificate:	EU-Type Examination Certificate
Operating temperature:	-50°C to +60°C
Dimensions:	110x75x55 mm
Ingress protection:	IP65
Weight:	295 g (empty)
Colour:	RAL 9005

# CONFIGURABLE EX E GRP JUNCTION BOXES

Zones 1, 2, 21, 22

Full catalogue available on our website: [www.inpratex.com](http://www.inpratex.com)

The number of cable entries and the number of terminals is configurable according to the customer's needs. The boxes are supplied finished, with the necessary terminals and with the cable entries already made.

**We don't supply empty "U" certified enclosures. These terminal boxes must be configured with the number of terminals and cable entries.**

4



CONTROL & CONNECTION EQUIPMENT

ITEM REFERENCES															
Max. number of terminals:							Max. number of cable entries (plastic glands):							Item No.:	
Type:	2,5 mm <sup>2</sup>	4 mm <sup>2</sup>	6 mm <sup>2</sup>	10 mm <sup>2</sup>	16 mm <sup>2</sup>	35 mm <sup>2</sup>	Size:	M16	M20	M25	M32	M40	M50	M63	5A0203..xx*
Number:	22	0	0	0	0	0	A	5	4	3	0	0	0	0	
							B	5	4	3	0	0	0	0	
							C	1	1	0	0	0	0	0	
							D	1	1	0	0	0	0	0	

\* The following should be attached to the reference of each box size:  
 1 - Type and number of terminals required (never exceed the maximum quantity shown in the table)  
 2 - Size and number of cable entries:  
 - For unarmoured cable, it may never exceed the maximum quantity shown in the table.  
 - If armoured cable is used, the number of entries must be defined in each case.  
 The value 0 indicates that this type of terminal / cable entry size can't be used in this box model

TECHNICAL SPECIFICATIONS	
Marking:	II 2G Ex e II T4/T6 Gb II 2G Ex ia IIC T6 Gb II 2D Ex td A21 IP65 T80°C
Certificate:	EU-Type Examination Certificate
Operating temperature:	-50°C to +60°C
Dimensions:	160x75x55 mm
Ingress protection:	IP65
Weight:	405 g (empty)
Colour:	RAL 9005

# CONFIGURABLE EX E GRP JUNCTION BOXES

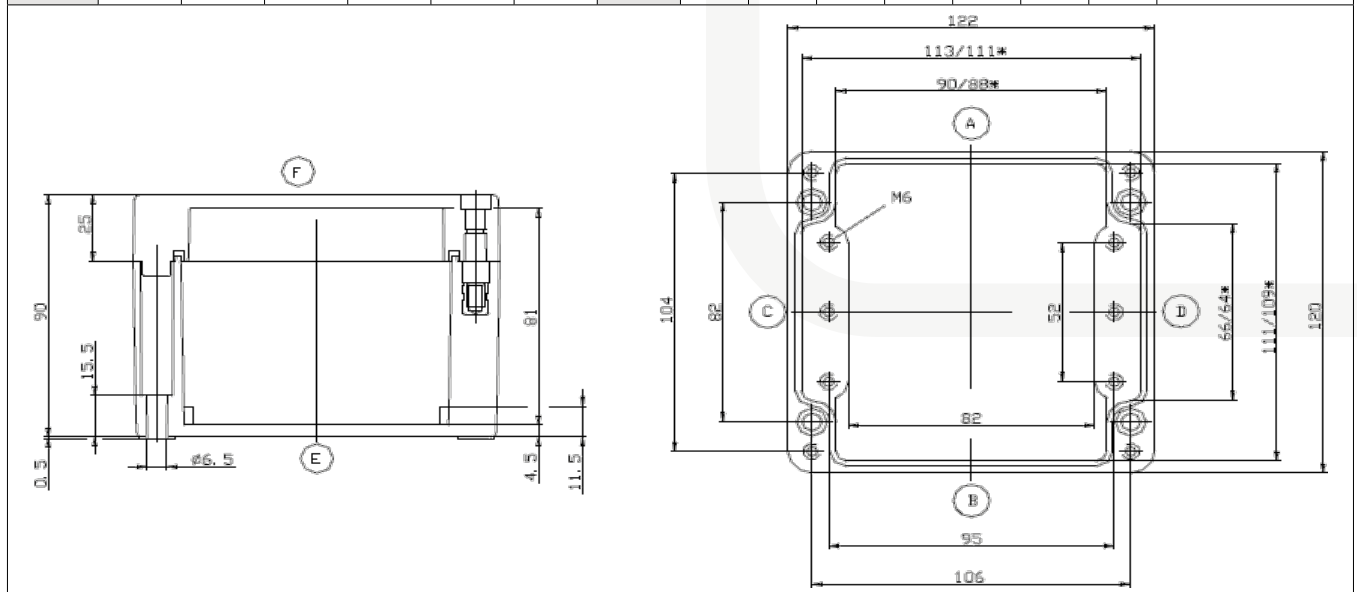
Zones 1, 2, 21, 22

Full catalogue available on our website: [www.inpratex.com](http://www.inpratex.com)

The number of cable entries and the number of terminals is configurable according to the customer's needs. The boxes are supplied finished, with the necessary terminals and with the cable entries already made.

**We don't supply empty "U" certified enclosures. These terminal boxes must be configured with the number of terminals and cable entries.**




ITEM REFERENCES															
Type:	Max. number of terminals:						Max. number of cable entries (plastic glands):							Item No.:	
	2,5 mm <sup>2</sup>	4 mm <sup>2</sup>	6 mm <sup>2</sup>	10 mm <sup>2</sup>	16 mm <sup>2</sup>	35 mm <sup>2</sup>	Size:	M16	M20	M25	M32	M40	M50		M63
Number:	16	13	10	6	0	0	A	5	4	3	2	1	0	0	5A0204...xxx*
							B	5	4	3	2	1	0	0	
							C	3	2	2	1	0	0	0	
							D	3	2	2	1	0	0	0	



\* The following should be attached to the reference of each box size:

- 1 - Type and number of terminals required (never exceed the maximum quantity shown in the table)
- 2 - Size and number of cable entries:
  - For unarmoured cable, it may never exceed the maximum quantity shown in the table.
  - If armoured cable is used, the number of entries must be defined in each case.

The value 0 indicates that this type of terminal / cable entry size can't be used in this box model

TECHNICAL SPECIFICATIONS	
Marking:	 II 2G Ex e II T4/T6 Gb  II 2G Ex ia IIC T6 Gb  II 2D Ex tD A21 IP65 T80°C
Certificate:	EU-Type Examination Certificate
Operating temperature:	-50°C to +60°C
Dimensions:	122x120x90 mm
Ingress protection:	IP65
Weight:	750 g (empty)
Colour:	RAL 9005

# CONFIGURABLE EX E GRP JUNCTION BOXES

Zones 1, 2, 21, 22

Full catalogue available on our website: [www.inpratex.com](http://www.inpratex.com)

The number of cable entries and the number of terminals is configurable according to the customer's needs. The boxes are supplied finished, with the necessary terminals and with the cable entries already made.

**We don't supply empty "U" certified enclosures. These terminal boxes must be configured with the number of terminals and cable entries.**

4



CONTROL & CONNECTION EQUIPMENT

ITEM REFERENCES															
Max. number of terminals:							Max. number of cable entries (plastic glands):							Item No.:	
Type:	2,5 mm <sup>2</sup>	4 mm <sup>2</sup>	6 mm <sup>2</sup>	10 mm <sup>2</sup>	16 mm <sup>2</sup>	35 mm <sup>2</sup>	Size:	M16	M20	M25	M32	M40	M50	M63	5A0205..xx*
Number:	22	18	13	11	9	0	A	8	6	4	2	2	1	0	
							B	8	6	4	2	2	1	0	
							C	4	3	2	2	1	0	0	
							D	4	3	2	2	1	0	0	

\* The following should be attached to the reference of each box size:  
 1 - Type and number of terminals required (never exceed the maximum quantity shown in the table)  
 2 - Size and number of cable entries:  
 - For unarmoured cable, it may never exceed the maximum quantity shown in the table.  
 - If armoured cable is used, the number of entries must be defined in each case.  
 The value 0 indicates that this type of terminal / cable entry size can't be used in this box model

TECHNICAL SPECIFICATIONS	
Marking:	II 2G Ex e II T4/T6 Gb II 2G Ex ia IIC T6 Gb II 2D Ex tD A21 IP65 T80°C
Certificate:	EU-Type Examination Certificate
Operating temperature:	-50°C to +60°C
Dimensions:	160x160x91 mm
Ingress protection:	IP65
Weight:	1130 g (empty)
Colour:	RAL 9005



# CONFIGURABLE EX E GRP JUNCTION BOXES

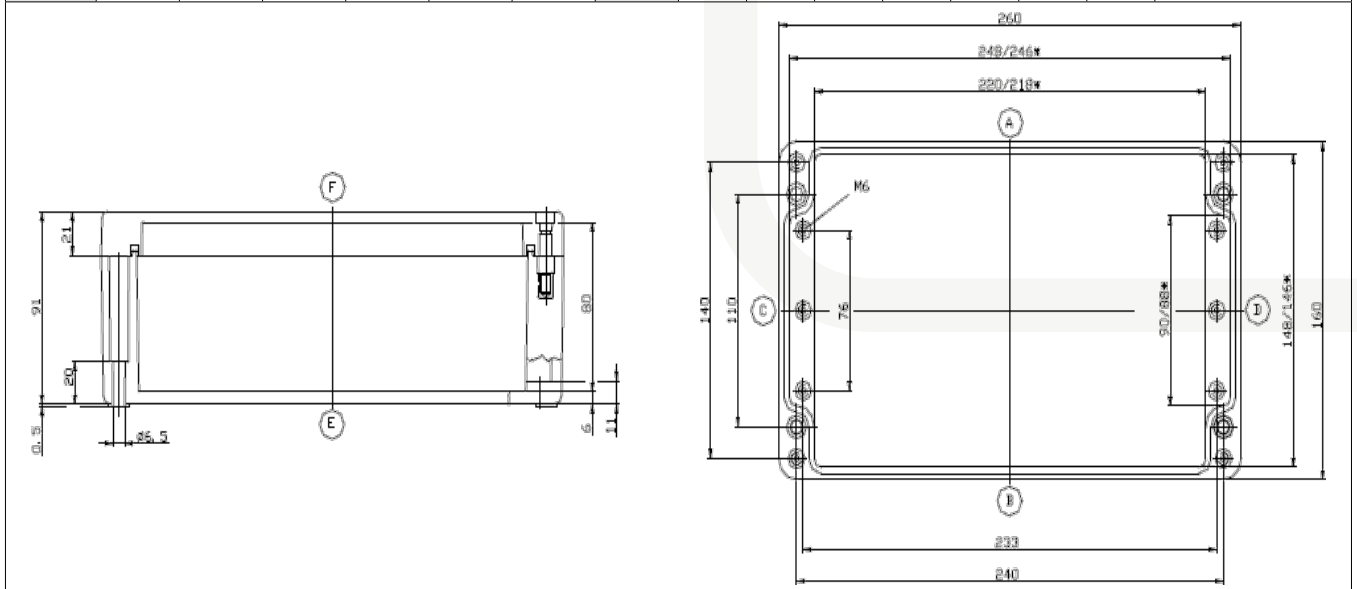
Zones 1, 2, 21, 22

Full catalogue available on our website: [www.inpratex.com](http://www.inpratex.com)

The number of cable entries and the number of terminals is configurable according to the customer's needs. The boxes are supplied finished, with the necessary terminals and with the cable entries already made.

**We don't supply empty "U" certified enclosures. These terminal boxes must be configured with the number of terminals and cable entries.**

ITEM REFERENCES														
Max. number of terminals:							Max. number of cable entries (plastic glands):							Item No.:
Type:	2,5 mm <sup>2</sup>	4 mm <sup>2</sup>	6 mm <sup>2</sup>	10 mm <sup>2</sup>	16 mm <sup>2</sup>	35 mm <sup>2</sup>	Size:	M16	M20	M25	M32	M40	M50	M63
Number:	42	35	26	21	17	0	A	15	12	8	4	3	3	0
							B	15	12	8	4	3	3	0
							C	4	3	2	2	1	0	0
							D	4	3	2	2	1	0	0
														5A0206..xx*



\* The following should be attached to the reference of each box size:

- 1 - Type and number of terminals required (never exceed the maximum quantity shown in the table)
- 2 - Size and number of cable entries:
  - For unarmoured cable, it may never exceed the maximum quantity shown in the table.
  - If armoured cable is used, the number of entries must be defined in each case.

The value 0 indicates that this type of terminal / cable entry size can't be used in this box model

TECHNICAL SPECIFICATIONS	
Marking:	
Certificate:	EU-Type Examination Certificate
Operating temperature:	-50°C to +60°C
Dimensions:	260x160x91 mm
Ingress protection:	IP65
Weight:	1710 g (empty)
Colour:	RAL 9005

# CONFIGURABLE EX E GRP JUNCTION BOXES

Zones 1, 2, 21, 22

Full catalogue available on our website: [www.inpratex.com](http://www.inpratex.com)

The number of cable entries and the number of terminals is configurable according to the customer's needs. The boxes are supplied finished, with the necessary terminals and with the cable entries already made.

**We don't supply empty "U" certified enclosures. These terminal boxes must be configured with the number of terminals and cable entries.**

ITEM REFERENCES															
Max. number of terminals:							Max. number of cable entries (plastic glands):							Item No.:	
Type:	2,5 mm <sup>2</sup>	4 mm <sup>2</sup>	6 mm <sup>2</sup>	10 mm <sup>2</sup>	16 mm <sup>2</sup>	35 mm <sup>2</sup>	Size:	M16	M20	M25	M32	M40	M50	M63	5A0207..xx*
Number:	62	51	38	31	25	0	A	23	18	11	7	5	4	0	
							B	23	18	11	7	5	4	0	
							C	4	3	2	2	1	0	0	
							D	4	3	2	2	1	0	0	

\* The following should be attached to the reference of each box size:  
 1 - Type and number of terminals required (never exceed the maximum quantity shown in the table)  
 2 - Size and number of cable entries:  
 - For unarmoured cable, it may never exceed the maximum quantity shown in the table.  
 - If armoured cable is used, the number of entries must be defined in each case.  
 The value 0 indicates that this type of terminal / cable entry size can't be used in this box model

TECHNICAL SPECIFICATIONS	
Marking:	II 2G Ex e II T4/T6 Gb II 2G Ex ia IIC T6 Gb II 2D Ex td A21 IP65 T80°C
Certificate:	EU-Type Examination Certificate
Operating temperature:	-50°C to +60°C
Dimensions:	360x160x91 mm
Ingress protection:	IP65
Weight:	2150 g (empty)
Colour:	RAL 9005

# CONFIGURABLE EX E GRP JUNCTION BOXES

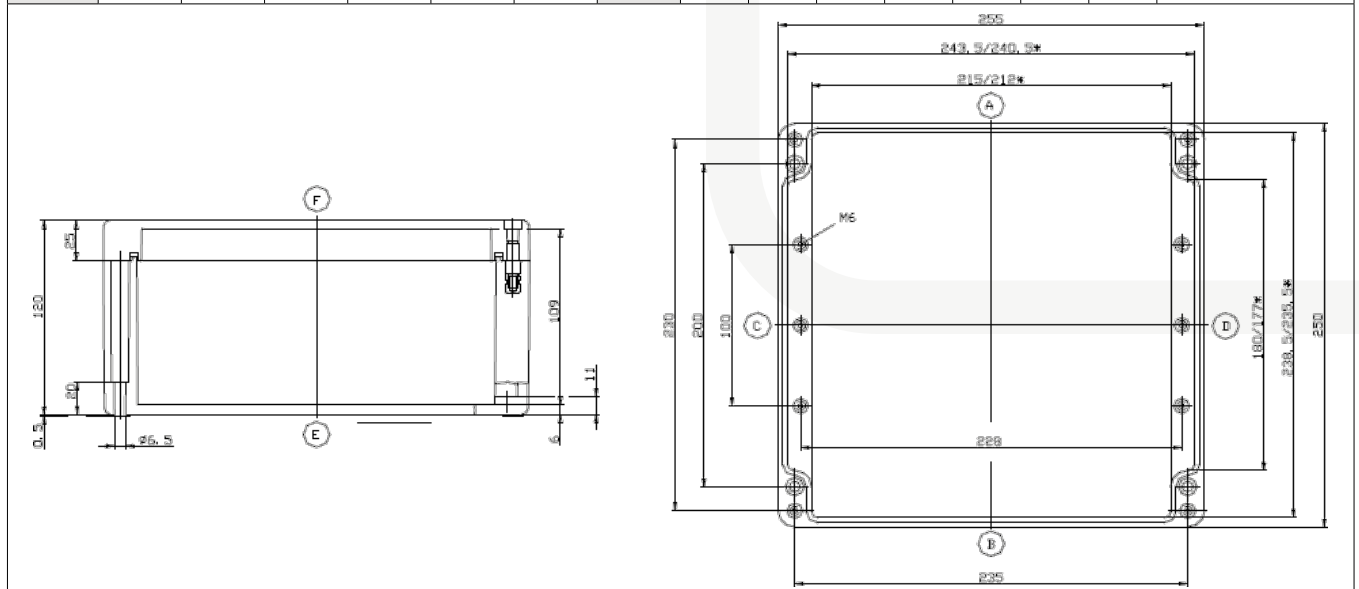
Zones 1, 2, 21, 22

Full catalogue available on our website: [www.inpratex.com](http://www.inpratex.com)

The number of cable entries and the number of terminals is configurable according to the customer's needs. The boxes are supplied finished, with the necessary terminals and with the cable entries already made.

**We don't supply empty "U" certified enclosures. These terminal boxes must be configured with the number of terminals and cable entries.**

ITEM REFERENCES														
Max. number of terminals:							Max. number of cable entries (plastic glands):							Item No.:
Type:	2,5 mm <sup>2</sup>	4 mm <sup>2</sup>	6 mm <sup>2</sup>	10 mm <sup>2</sup>	16 mm <sup>2</sup>	35 mm <sup>2</sup>	Size:	M16	M20	M25	M32	M40	M50	M63
Number:	80	66	25	20	16	12	A	23	17	11	7	4	3	3
							B	23	17	11	7	4	3	3
							C	14	10	8	4	3	2	2
							D	14	10	8	4	3	2	2
5A0208..xx*														



\* The following should be attached to the reference of each box size:  
 1 - Type and number of terminals required (never exceed the maximum quantity shown in the table)  
 2 - Size and number of cable entries:  
 - For unarmoured cable, it may never exceed the maximum quantity shown in the table.  
 - If armoured cable is used, the number of entries must be defined in each case.  
 The value 0 indicates that this type of terminal / cable entry size can't be used in this box model

TECHNICAL SPECIFICATIONS	
Marking:	II 2G Ex e II T4/T6 Gb II 2G Ex ia IIC T6 Gb II 2D Ex tD A21 IP65 T80°C
Certificate:	EU-Type Examination Certificate
Operating temperature:	-50°C to +60°C
Dimensions:	255x250x120 mm
Ingress protection:	IP65
Weight:	2650 g (empty)
Colour:	RAL 9005

# CONFIGURABLE EX E GRP JUNCTION BOXES

Zones 1, 2, 21, 22

Full catalogue available on our website: [www.inpratex.com](http://www.inpratex.com)

The number of cable entries and the number of terminals is configurable according to the customer's needs. The boxes are supplied finished, with the necessary terminals and with the cable entries already made.

**We don't supply empty "U" certified enclosures. These terminal boxes must be configured with the number of terminals and cable entries.**



ITEM REFERENCES															
Max. number of terminals:							Max. number of cable entries (plastic glands):							Item No.:	
Type:	2,5 mm <sup>2</sup>	4 mm <sup>2</sup>	6 mm <sup>2</sup>	10 mm <sup>2</sup>	16 mm <sup>2</sup>	35 mm <sup>2</sup>	Size:	M16	M20	M25	M32	M40	M50	M63	5A0209..xx*
Number:	140	116	43	35	29	21	A	38	27	17	13	6	5	4	
							B	38	27	17	13	6	5	4	
							C	14	10	8	4	3	2	2	
							D	14	10	8	4	3	2	2	

\* The following should be attached to the reference of each box size:  
 1 - Type and number of terminals required (never exceed the maximum quantity shown in the table)  
 2 - Size and number of cable entries:  
 - For unarmoured cable, it may never exceed the maximum quantity shown in the table.  
 - If armoured cable is used, the number of entries must be defined in each case.  
 The value 0 indicates that this type of terminal / cable entry size can't be used in this box model

TECHNICAL SPECIFICATIONS	
Marking:	II 2G Ex e II T4/T6 Gb II 2G Ex ia IIC T6 Gb II 2D Ex td A21 IP65 T80°C
Certificate:	EU-Type Examination Certificate
Operating temperature:	-50°C to +60°C
Dimensions:	400x250x120 mm
Ingress protection:	IP65
Weight:	3650 g (empty)
Colour:	RAL 9005



# CONFIGURABLE EX E GRP JUNCTION BOXES

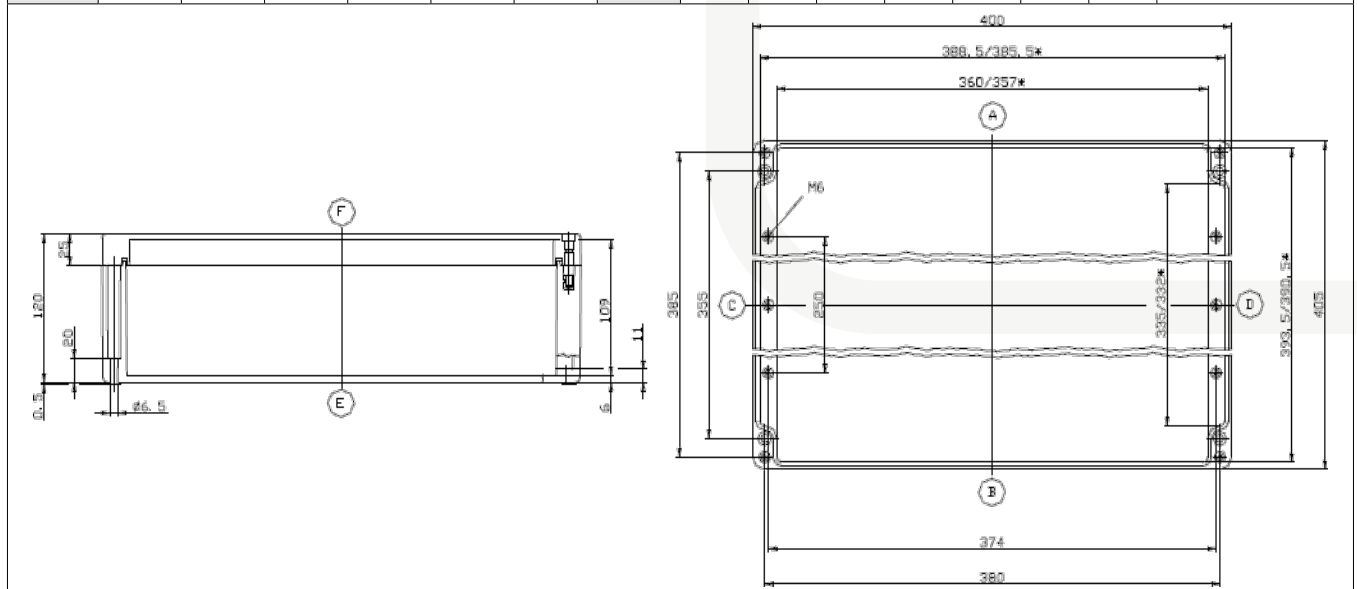
Zones 1, 2, 21, 22

Full catalogue available on our website: [www.inpratex.com](http://www.inpratex.com)

The number of cable entries and the number of terminals is configurable according to the customer's needs. The boxes are supplied finished, with the necessary terminals and with the cable entries already made.

**We don't supply empty "U" certified enclosures. These terminal boxes must be configured with the number of terminals and cable entries.**

ITEM REFERENCES														
Max. number of terminals:							Max. number of cable entries (plastic glands):							Item No.:
Type:	2,5 mm <sup>2</sup>	4 mm <sup>2</sup>	6 mm <sup>2</sup>	10 mm <sup>2</sup>	16 mm <sup>2</sup>	35 mm <sup>2</sup>	Size:	M16	M20	M25	M32	M40	M50	M63
Number:	210	174	86	35	29	21	A	38	27	17	13	6	5	4
							B	38	27	17	13	6	5	4
							C	29	20	15	7	5	4	4
							D	29	20	15	7	5	4	4
5A0210..xx*														



\* The following should be attached to the reference of each box size:  
 1 - Type and number of terminals required (never exceed the maximum quantity shown in the table)  
 2 - Size and number of cable entries:  
 - For unarmoured cable, it may never exceed the maximum quantity shown in the table.  
 - If armoured cable is used, the number of entries must be defined in each case.  
 The value 0 indicates that this type of terminal / cable entry size can't be used in this box model

TECHNICAL SPECIFICATIONS	
Marking:	II 2G Ex e II T4/T6 Gb II 2G Ex ia IIC T6 Gb II 2D Ex tD A21 IP65 T80°C
Certificate:	EU-Type Examination Certificate
Operating temperature:	-50°C to +60°C
Dimensions:	400x405x120 mm
Ingress protection:	IP65
Weight:	5580 g (empty)
Colour:	RAL 9005

# CONFIGURABLE EX E GRP JUNCTION BOXES

Zones 1, 2, 21, 22

Full catalogue available on our website: [www.inpratex.com](http://www.inpratex.com)

The number of cable entries and the number of terminals is configurable according to the customer's needs. The boxes are supplied finished, with the necessary terminals and with the cable entries already made.

**We don't supply empty "U" certified enclosures. These terminal boxes must be configured with the number of terminals and cable entries.**

4



CONTROL & CONNECTION EQUIPMENT

ITEM REFERENCES															
Max. number of terminals:							Max. number of cable entries (plastic glands):							Item No.:	
Type:	2,5 mm <sup>2</sup>	4 mm <sup>2</sup>	6 mm <sup>2</sup>	10 mm <sup>2</sup>	16 mm <sup>2</sup>	35 mm <sup>2</sup>	Size:	M16	M20	M25	M32	M40	M50	M63	5A0211..xx*
Number:	220	182	68	55	45	34	A	84	52	24	18	10	6	4	
							B	84	52	24	18	10	6	4	
							C	14	10	8	4	3	2	2	
							D	14	10	8	4	3	2	2	

\* The following should be attached to the reference of each box size:  
 1 - Type and number of terminals required (never exceed the maximum quantity shown in the table)  
 2 - Size and number of cable entries:  
 - For unarmoured cable, it may never exceed the maximum quantity shown in the table.  
 - If armoured cable is used, the number of entries must be defined in each case.  
 The value 0 indicates that this type of terminal / cable entry size can't be used in this box model

TECHNICAL SPECIFICATIONS	
Marking:	II 2G Ex e II T4/T6 Gb II 2G Ex ia IIC T6 Gb II 2D Ex td A21 IP65 T80°C
Certificate:	EU-Type Examination Certificate
Operating temperature:	-50°C to +60°C
Dimensions:	600x250x120 mm
Ingress protection:	IP65
Weight:	5380 g (empty)
Colour:	RAL 9005

# GRP JUNCTION BOX 2 CABLE ENTRIES - 2 TERMINALS

Zones 1, 2, 21, 22

Full catalogue available on our website: [www.inpratex.com](http://www.inpratex.com)

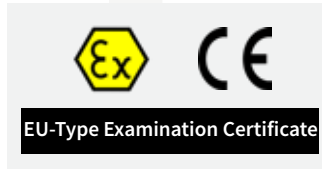
## ATEX JUNCTION BOXES

## ZONES 1, 2 (gas) & 21, 22 (dust)



GRP (glass-reinforced polyester) junction box, suitable for use within ATEX rated Ex e Increased Safety areas.

Equipped with 2 cable entries and 2 2,5mm<sup>2</sup> + 1 PE terminals.

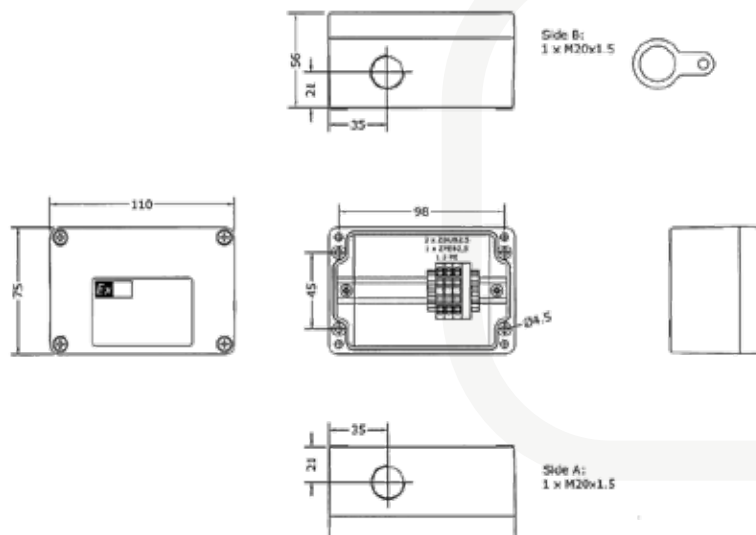


### ITEM REFERENCES

Designation:	Cable glands:	Item No.:
A21-E1-01106+2T2,5+2M20	Without cable glands	5A1003
A21-E1-01106+2T2,5+1PM20+1PAM20	1 plastic cable gland (4-13 mm) + 1 brass cable gland (9-15,5 mm)	5A1004
A21-E1-01106+2T2,5+1PM20+1PANM20	1 plastic cable glands (4-13 mm) + 1 nickel plated brass cable gland (9-15,5 mm)	5A1005

### TECHNICAL SPECIFICATIONS

Marking:	II 2G Ex eb IIC T6 Gb II 2D Ex tb IIIC T80°C Db
Certificate:	EU-Type Examination Certificate
Housing:	Glass Reinforced Polyester (GRP)
Dimensions:	110x75x55 mm
Operating temperature:	-20°C to +40°C
Rated voltage:	max. 550V
Rated current:	max. 21 A
Terminals:	2 x 2,5mm <sup>2</sup> + 1 PE
Ingress protection:	IP65
Cable entries:	2xM20x1,5



# GRP JUNCTION BOX 4 CABLE ENTRIES - 12 TERMINALS

Zones 1, 2, 21, 22

Full catalogue available on our website: [www.inpratex.com](http://www.inpratex.com)

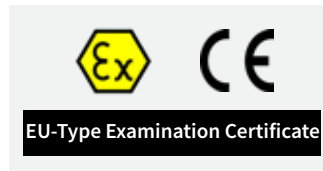
## ATEX JUNCTION BOXES

ZONES 1, 2 (gas) & 21, 22 (dust)



GRP (glass-reinforced polyester) junction box, suitable for use within ATEX rated Ex e Increased Safety areas.

Equipped with 4 cable entries and 12 terminals 2,5mm<sup>2</sup> + 2 PE Terminals.



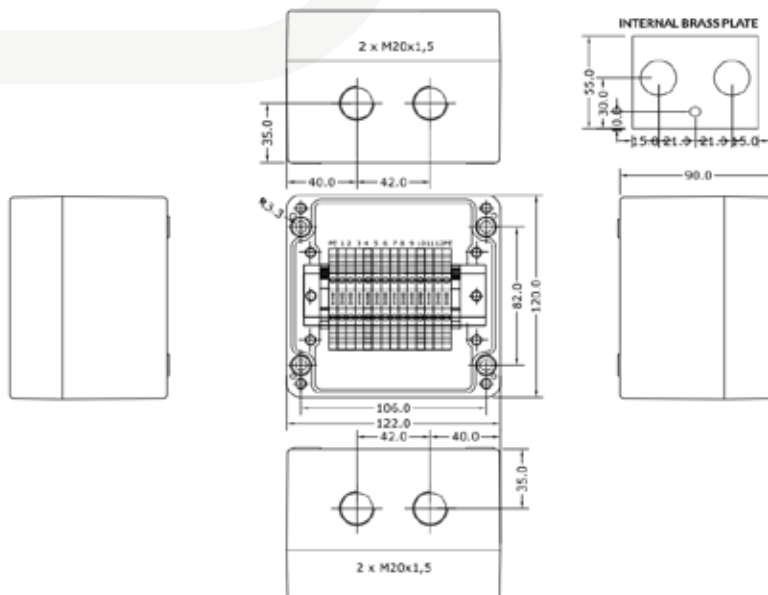
\* Supplied without cable glands and plugs

### ITEM REFERENCES

Designation:	Item No.:
A21-E1-01209+12T2,5+4M20	5A0601
3 mm inner grounding plate for armoured cable	5A0602

### TECHNICAL SPECIFICATIONS

Marking:	II 2G Ex e IIC T6 Gb II 2D Ex tb IIIC T80°C
Certificate:	EU-Type Examination Certificate
Housing:	Glass Reinforced Polyester (GRP)
Dimensions:	122x120x90 mm
Operating temperature:	-40°C to +40°C
Rated voltage:	max. 500V
Rated current:	max. 13 A
Terminals:	12 x 2,5mm <sup>2</sup> + 2 PE
Ingress protection:	IP65
Cable entries:	4xM20x1,5 (Supplied without cable glands and plugs)





# GRP JUNCTION BOX 4 CABLE ENTRIES - 19 TERMINALS

Zones 1, 2, 21, 22

Full catalogue available on our website: [www.inpratex.com](http://www.inpratex.com)

## ATEX JUNCTION BOXES

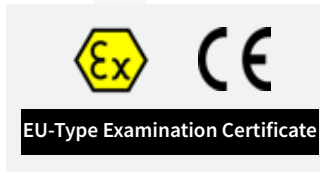
ZONES 1, 2 (gas) & 21, 22 (dust)



ATEX junction boxes certified for installation in hazardous areas.

Manufactured in Glass Reinforced Polyester (GRP)

The box is configured with 4 unplugged M25x1.5 cable entries, and is equipped with 19 2.5mm<sup>2</sup> terminals, 3 grounding terminals and a brass grounding plate inside.



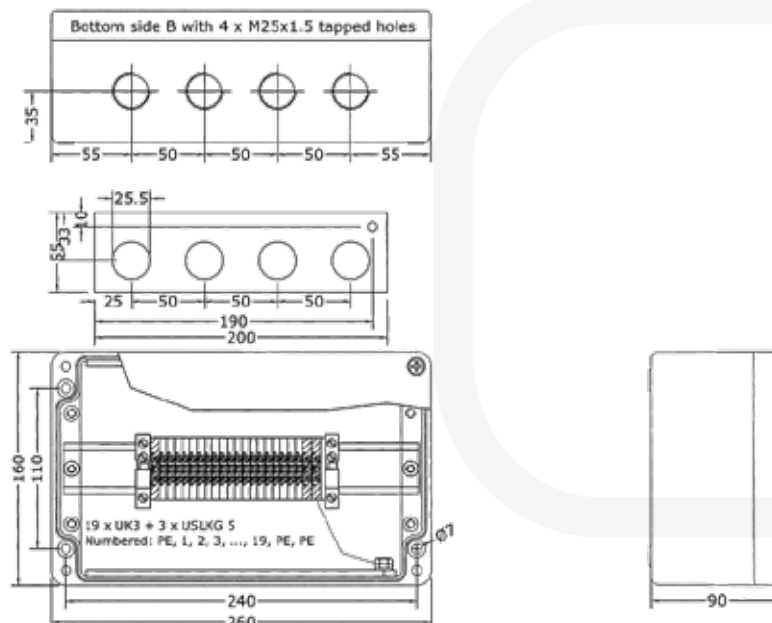
\* Supplied without cable glands and plugs

### ITEM REFERENCES

Designation:	Item No.:
A21-E1-02609+19T2,5+4M25	5A1001

### TECHNICAL SPECIFICATIONS

Marking:	II 2G Ex eb IIC T6 Gb II 2D Ex tb IIIC T80°C Db
Certificate:	EU-Type Examination Certificate
Housing:	Glass Reinforced Polyester (GRP)
Dimensions:	260x160x90 mm
Operating temperature:	-20°C to +40°C
Rated voltage:	max. 500V
Rated current:	max. 10 A
Terminals:	19 x 2,5mm <sup>2</sup> + 3 PE
Ingress protection:	IP66
Cable entries:	4xM25x1,5 (Cable glands / plugs not included)



# GRP JUNCTION BOX 5 CABLE ENTRIES - 20 TERMINALS

Zones 1, 2, 21, 22

Full catalogue available on our website: [www.inpratex.com](http://www.inpratex.com)

## ATEX JUNCTION BOXES

ZONES 1, 2 (gas) & 21, 22 (dust)

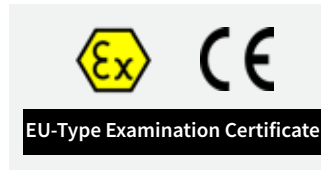
ATEX junction boxes certified for installation in hazardous areas.

Manufactured in Glass Reinforced Polyester (GRP)

The box is configured with 4 unplugged M25x1.5 and 1 M32x1,5 cable entries, and is equipped with 20 2.5mm<sup>2</sup> terminals, 3 grounding terminals and a brass grounding plate inside.





\* Supplied without cable glands and plugs

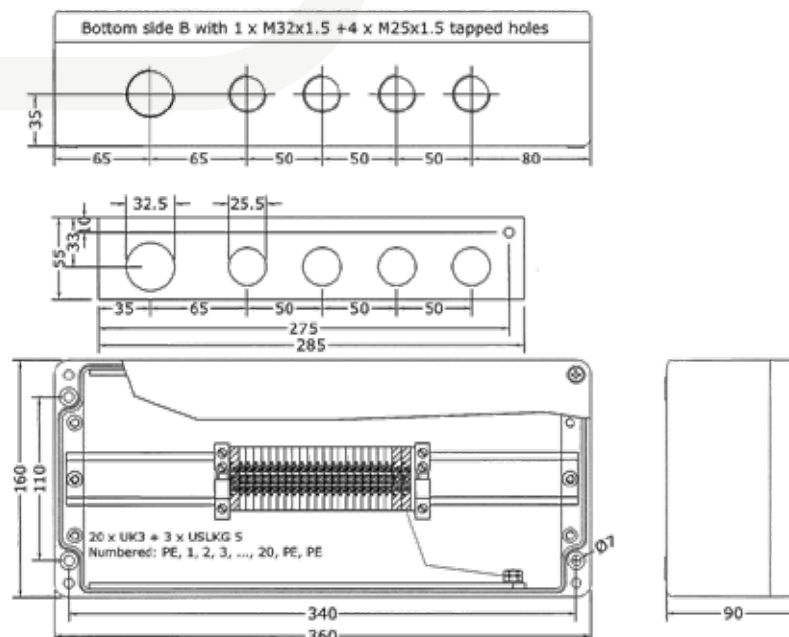


### ITEM REFERENCES

Designation:	Item No.:
A21-E1-03609+20T2,5+4M25+1M32	5A1002

### TECHNICAL SPECIFICATIONS

Marking:	 II 2G Ex eb IIC T6 Gb  II 2D Ex tb IIIC T80°C Db
Certificate:	EU-Type Examination Certificate
Housing:	Glass Reinforced Polyester (GRP)
Dimensions:	360x160x90 mm
Operating temperature:	-20°C to +40°C
Rated voltage:	max. 500V
Rated current:	max. 10 A
Terminals:	20 x 2,5mm <sup>2</sup> + 3 PE
Ingress protection:	IP66
Cable entries:	4xM25x1,5   1xM32x1,5 (Cable glands / plugs not included)



# GRP JUNCTION BOX 10 CABLE ENTRIES - 14 TERMINALS

Zones 1, 2, 21, 22

Full catalogue available on our website: [www.inpratex.com](http://www.inpratex.com)

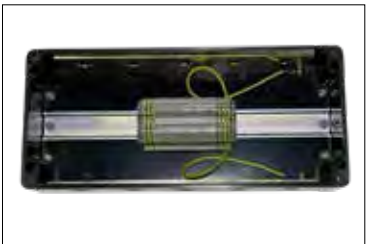
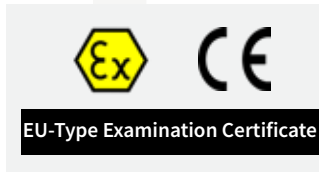
## ATEX JUNCTION BOXES

ZONES 1, 2 (gas) & 21, 22 (dust)



ATEX junction boxes certified for installation in hazardous areas. Manufactured in Glass Reinforced Polyester (GRP)

The box is configured with 3xM20x1.5 and 2xM25x1.5 entries on its upper side, and 2xM20x1.5 and 3xM25x1.5 entries on its lower side, and is equipped with 14 2.5mm<sup>2</sup> terminals, 6 grounding terminals and a 2 brass grounding plates inside.



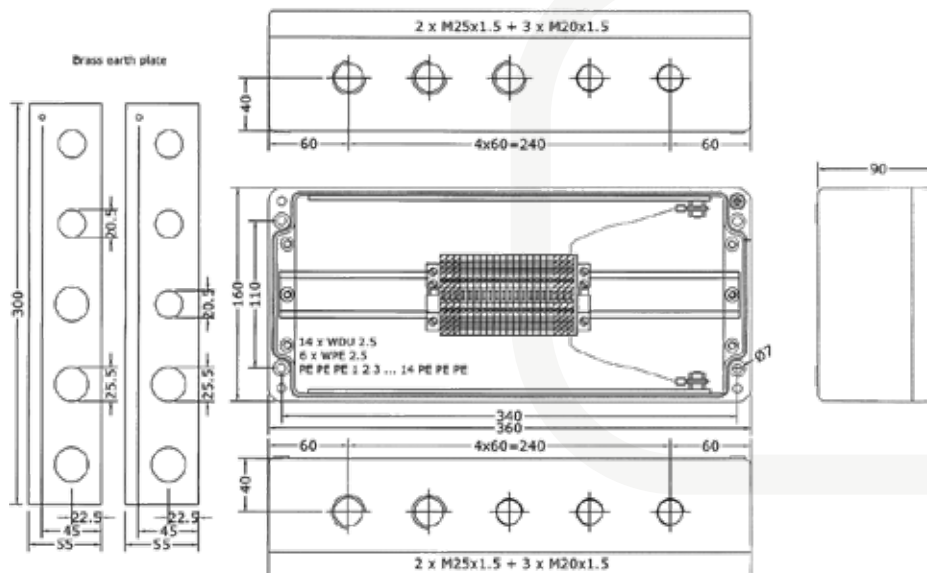
\* Supplied without cable glands and plugs

### ITEM REFERENCES

Designation:	Item No.:
A21-E1-03609+14T2,5+5M20+5M25	5A0816

### TECHNICAL SPECIFICATIONS

Marking:	II 2G Ex eb IIC T6 Gb II 2D Ex tb IIIC T80°C Db
Certificate:	EU-Type Examination Certificate
Housing:	Glass Reinforced Polyester (GRP)
Dimensions:	360x160x90 mm
Operating temperature:	-20°C to +40°C
Rated voltage:	max. 500V
Rated current:	max. 12 A
Terminals:	14 x 2,5mm <sup>2</sup> + 6 PE
Ingress protection:	IP65
Cable entries:	Upper side: 3xM20x1,5, 2xM25x1,5 (Cable glands / plugs not included) Bottom side: 2xM20x1,5, 3xM25x1,5 (Cable glands / plugs not included)



# GRP JUNCTION BOX ZONE 2,22 - 4 ENTRIES ARMoured CABLE

Zones 2, 22

Full catalogue available on our website: [www.inpratex.com](http://www.inpratex.com)

## ATEX JUNCTION BOXES

ZONES 2 (gas) & 22 (dust)



ATEX junction box for hazardous areas (Zones 2,22).



Manufactured in fibreglass reinforced polyester.

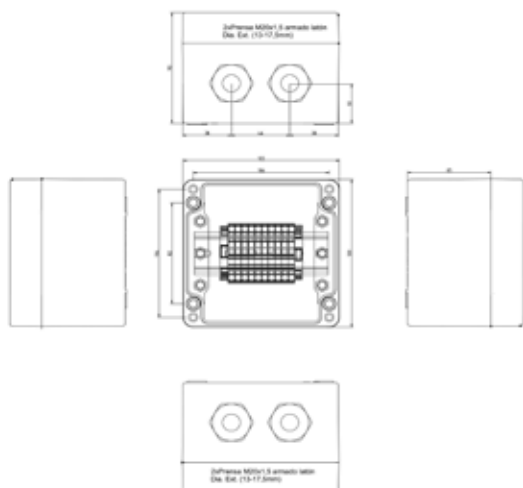
It is equipped with 4 M20x1,5 entries for armoured cable, 6 x 2,5mm<sup>2</sup> terminals and 4x2,5mm<sup>2</sup> PE terminals.

### ITEM REFERENCES

Designation:	Cable entries:	Item No.:
Junction Box EX 12212090 GRP L	4 x M20x1,5 brass cable gland (14-20,5 mm)	5A0701
Junction Box EX 12212090 GRP LN	4 x M20x1,5 nickel plated brass cable gland (14-20,5 mm)	5A0702
Junction Box EX 12212090 GRP TP	4 x M20x1,5 plastic cable glands (Grounding plates included)	5A0703

### TECHNICAL SPECIFICATIONS

Marking:	 II 3G Ex e IIC T6 Gc  II 3D Ex tb IIIC T80°C Dc
Certificate:	Declaration of conformity
Housing:	Glass Reinforced Polyester (GRP)
Dimensions:	122x120x90 mm
Operating temperature:	-20°C to +60°C -50°C to +60°C (Whenever permitted by the terminal used)
Terminals:	6 x 2,5mm <sup>2</sup> with jumpers (1, 2/3, 4/5, 6) + 4 PE terminals 2,5mm <sup>2</sup> (PE)
Ingress protection:	IP66   IK08
Cable entries:	4xM20x1,5 brass cable glands for armoured cable / plugs



4



CONTROL & CONNECTION EQUIPMENT

# GRP JUNCTION BOX ZONE 2,22 - 4 ENTRIES NON ARMOURED CABLE

Zones 2, 22

Full catalogue available on our website: [www.inpratex.com](http://www.inpratex.com)

## ATEX JUNCTION BOXES

## ZONES 2 (gas) & 22 (dust)



ATEX junction box for hazardous areas (Zones 2,22).

Manufactured in fibreglass reinforced polyester.

It is equipped with 4 M20x1,5 entries for non armoured cable, 6 x 2,5mm<sup>2</sup> terminals and 4 x 2,5mm<sup>2</sup> PE terminals.



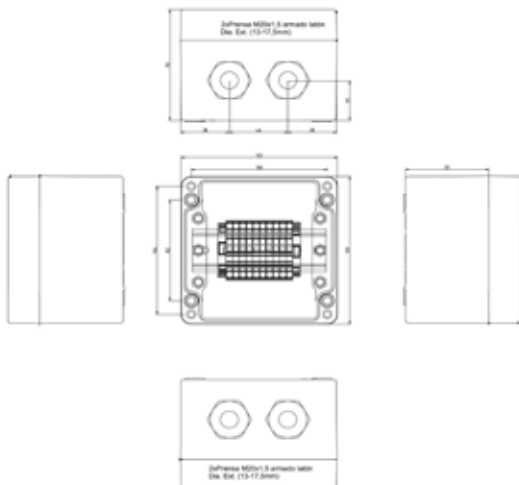
Declaration of Conformity

### ITEM REFERENCES

Designation:	Cable entries:	Item No.:
Junction Box EX 12212090 GRP P	4 x M20x1,5 plastic cable glands (7-13 mm)	5A0704
Junction Box EX 12212090 GRP T	4 x M20x1,5 plastic plugs	5A0705

### TECHNICAL SPECIFICATIONS

Marking:	II 3G Ex e IIC T6 Gc II 3D Ex tb IIIC T80°C Dc
Certificate:	Declaration of conformity
Housing:	Glass Reinforced Polyester (GRP)
Dimensions:	122x120x90 mm
Operating temperature:	-20°C to +60°C -50°C to +60°C (Whenever permitted by the terminal used)
Terminals:	6 x 2,5mm <sup>2</sup> with jumpers (1, 2/3, 4/5, 6) + 4 PE terminals 2,5mm <sup>2</sup> (PE)
Ingress protection:	IP66   IK08
Cable entries:	4xM20x1,5 plastic cable glands for non armoured cable / plugs





# GRP EX I JUNCTION BOX - 2 ENTRIES / 2 TERMINALS

Zones 1, 2, 21, 22

Full catalogue available on our website: [www.inpratex.com](http://www.inpratex.com)

## ATEX JUNCTION BOXES

ZONES 1, 2 (gas) & 21, 22 (dust)



Ex i junction box for hazardous areas.

Made of glass fiber reinforced polyester.

The box includes 2 cable entries with blue polyamide glands M20x1.5 and is equipped with 2x2.5mm<sup>2</sup> blue terminals + 1 earth terminal.



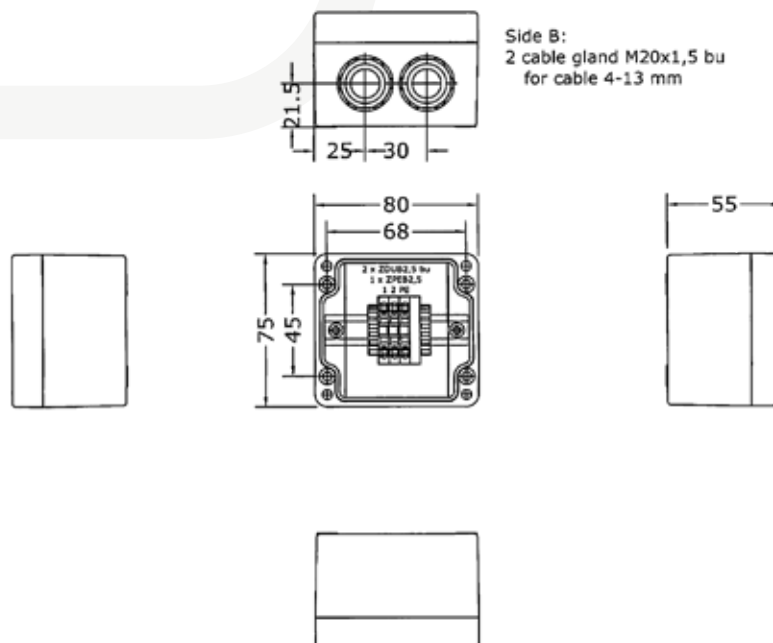
EU-Type Examination Certificate

### ITEM REFERENCES

Designation:	Item No.:
A21-I1-Z1246+2T2,5+2M20	5A0802

### TECHNICAL SPECIFICATIONS

Marking:	II 2(1)G Ex e [ia] IIC T6 Gb II 2D Ex tb IIIC T80°C
Certificate:	EU-Type Examination Certificate
Housing:	Glass Reinforced Polyester (GRP)
Dimensions:	80x75x55 mm
Operating temperature:	-20°C to +40°C
Terminals:	2 x 2,5mm <sup>2</sup> + 1 PE
Ingress protection:	IP66
Cable entries:	2xM20x1,5 plastic blue cable glands (7-13 mm)



# GRP EX I JUNCTION BOX - 3 ENTRIES / 4 TERMINALS

Zones 1, 2, 21, 22

Full catalogue available on our website: [www.inpratex.com](http://www.inpratex.com)

## ATEX JUNCTION BOXES

## ZONES 1, 2 (gas) & 21, 22 (dust)



Ex i junction box for hazardous areas.

Made of glass fiber reinforced polyester.

The box includes 3 cable entries with blue polyamide glands M20x1.5 and is equipped with 4x2.5mm<sup>2</sup> blue terminals + 1 earth terminal.



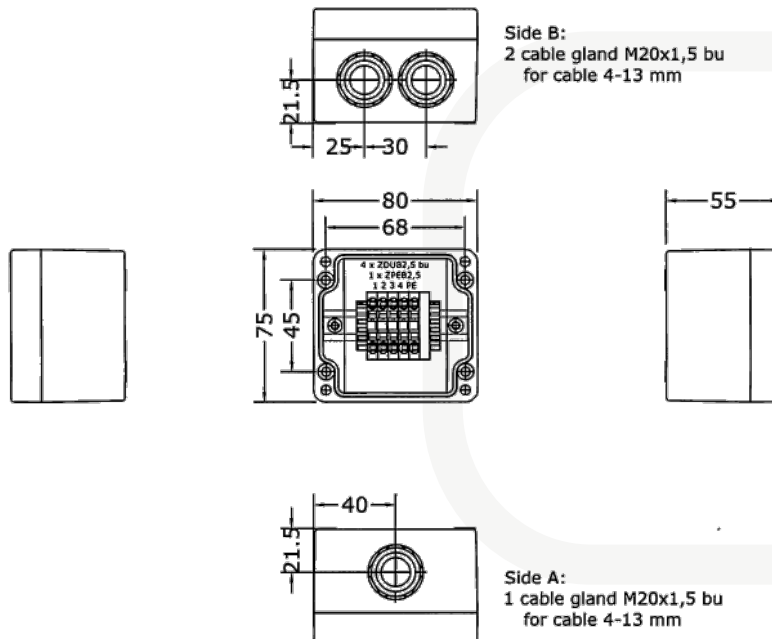
EU-Type Examination Certificate

### ITEM REFERENCES

Designation:	Item No.:
A21-I1-Z1245+4T2,5+3M20	5A0803

### TECHNICAL SPECIFICATIONS

Marking:	II 2(1)G Ex e [ia] IIC T6 Gb II 2D Ex tb IIIC T80°C
Certificate:	EU-Type Examination Certificate
Housing:	Glass Reinforced Polyester (GRP)
Dimensions:	80x75x55 mm
Operating temperature:	-20°C to +40°C
Terminals:	4 x 2,5mm <sup>2</sup> + 1 PE
Ingress protection:	IP66
Cable entries:	3xM20x1,5 plastic blue cable glands (7-13 mm)



# GRP EX I JUNCTION BOX - 4 ENTRIES / 6 TERMINALS

Zones 1, 2, 21, 22

Full catalogue available on our website: [www.inpratex.com](http://www.inpratex.com)

## ATEX JUNCTION BOXES

ZONES 1, 2 (gas) & 21, 22 (dust)



Ex i junction box for hazardous areas.

Made of glass fiber reinforced polyester.

The box includes 4 cable entries with blue polyamide glands M20x1.5 and is equipped with 6x2.5mm<sup>2</sup> blue terminals + 1 earth terminal.





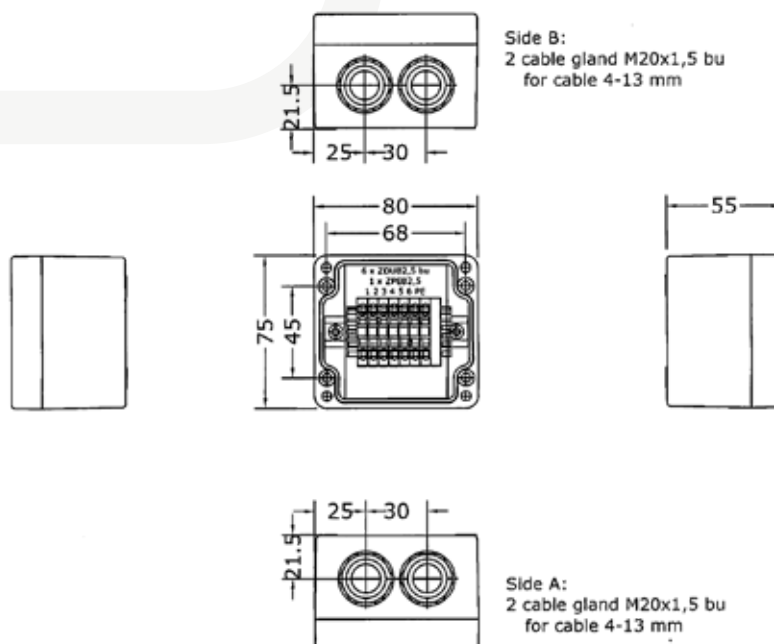
EU-Type Examination Certificate

### ITEM REFERENCES

Designation:	Item No.:
A21-I1-Z1244+6T2,5+4M20	5A0801

### TECHNICAL SPECIFICATIONS

Marking:	 II 2(1)G Ex e [ia] IIC T6 Gb  II 2D Ex tb IIIC T80°C
Certificate:	EU-Type Examination Certificate
Housing:	Glass Reinforced Polyester (GRP)
Dimensions:	80x75x55 mm
Operating temperature:	-20°C to +40°C
Terminals:	6 x 2,5mm <sup>2</sup> + 1 PE
Ingress protection:	IP66
Cable entries:	4xM20x1,5 plastic blue cable glands (7-13 mm)



# GRP EX I JUNCTION BOX - 4 ENTRIES / 4 TERMINALS

Zones 1, 2, 21, 22

Full catalogue available on our website: [www.inpratex.com](http://www.inpratex.com)

## ATEX JUNCTION BOXES

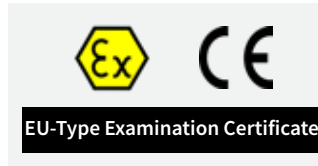
## ZONES 1, 2 (gas) & 21, 22 (dust)



Ex i junction box for hazardous areas.

Made of glass fiber reinforced polyester.



The box includes 4 cable entries with blue polyamide glands M20x1.5 and is equipped with 4x2.5mm<sup>2</sup> blue terminals + 2 earth terminals.

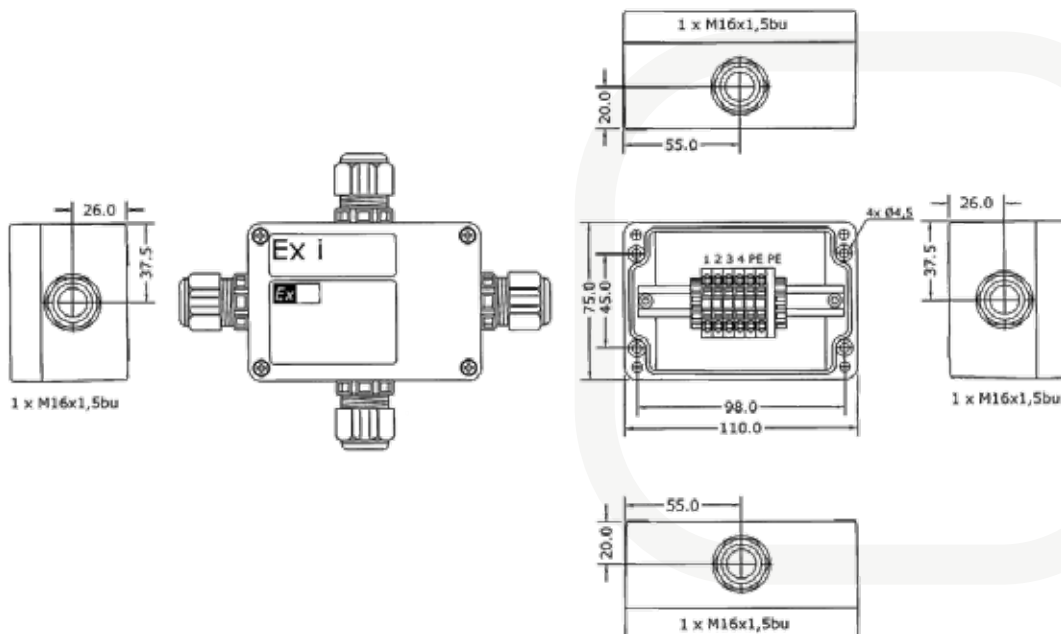


### ITEM REFERENCES

Designation:	Item No.:
A21-I1-01106+4T2,5+4M20	5A0804

### TECHNICAL SPECIFICATIONS

Marking:	 II 2(1)G Ex eb [ia Ga] IIC T6 Gb  II 2D Ex tb [ia Da] IIIC T80°C Db
Certificate:	EU-Type Examination Certificate
Housing:	Glass Reinforced Polyester (GRP)
Dimensions:	110x75x55 mm
Operating temperature:	-20°C to +40°C
Terminals:	4 x 2,5mm <sup>2</sup> + 2 PE
Ingress protection:	IP66
Cable entries:	4xM20x1,5 plastic blue cable glands (7-13 mm)



# GRP EX I JUNCTION BOX - 4 ENTRIES / 10 TERMINALS

Zones 1, 2, 21, 22

Full catalogue available on our website: [www.inpratex.com](http://www.inpratex.com)

## ATEX JUNCTION BOXES

ZONES 1, 2 (gas) & 21, 22 (dust)



Ex i junction box for hazardous areas.

Made of glass fiber reinforced polyester.

The box includes 4 cable entries with blue polyamide glands M20x1.5 and is equipped with 10x2.5mm<sup>2</sup> blue terminals + 2 earth terminals.



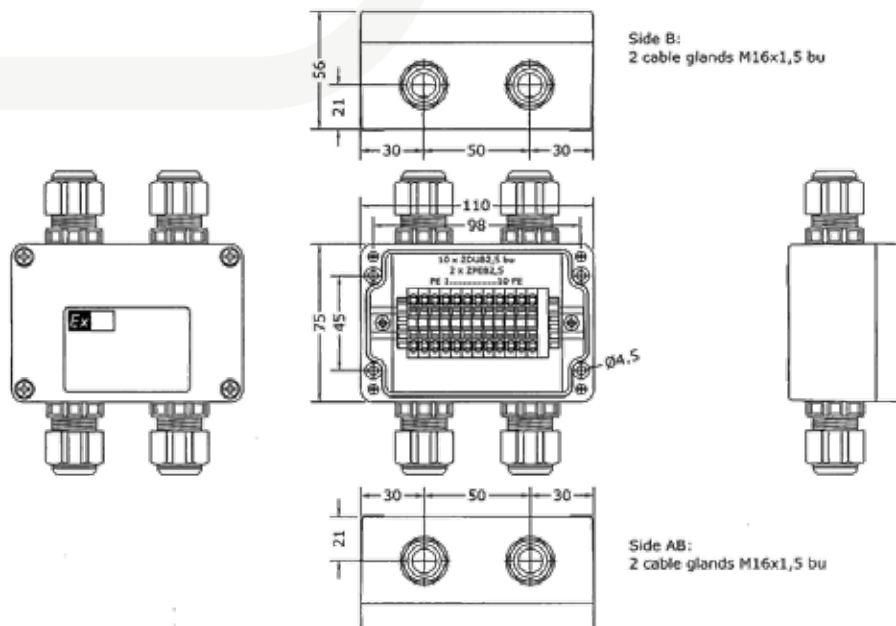
EU-Type Examination Certificate

### ITEM REFERENCES

Designation:	Item No.:
A21-I1-01106+10T2,5+4M20	5A0815

### TECHNICAL SPECIFICATIONS

Marking:	II 2(1)G Ex eb [ia Ga] IIC T6 Gb II 2(1)D Ex tb [ia Da] IIIC T80°C Db
Certificate:	EU-Type Examination Certificate
Housing:	Glass Reinforced Polyester (GRP)
Dimensions:	110x75x55 mm
Operating temperature:	-20°C to +40°C
Terminals:	10 x 2,5mm <sup>2</sup> + 2 PE
Ingress protection:	IP65
Cable entries:	4xM20x1,5 plastic blue cable glands (7-13 mm)





# GRP EX I JUNCTION BOX - 5 ENTRIES / 9 TERMINALS

Zones 1, 2, 21, 22

Full catalogue available on our website: [www.inpratex.com](http://www.inpratex.com)

## ATEX JUNCTION BOXES

ZONES 1, 2 (gas) & 21, 22 (dust)



Ex i junction box for hazardous areas.

Made of glass fiber reinforced polyester.

The box includes 5 cable entries with blue polyamide glands M20x1.5 and is equipped with 9x2.5mm<sup>2</sup> blue terminals + 3 earth terminals.



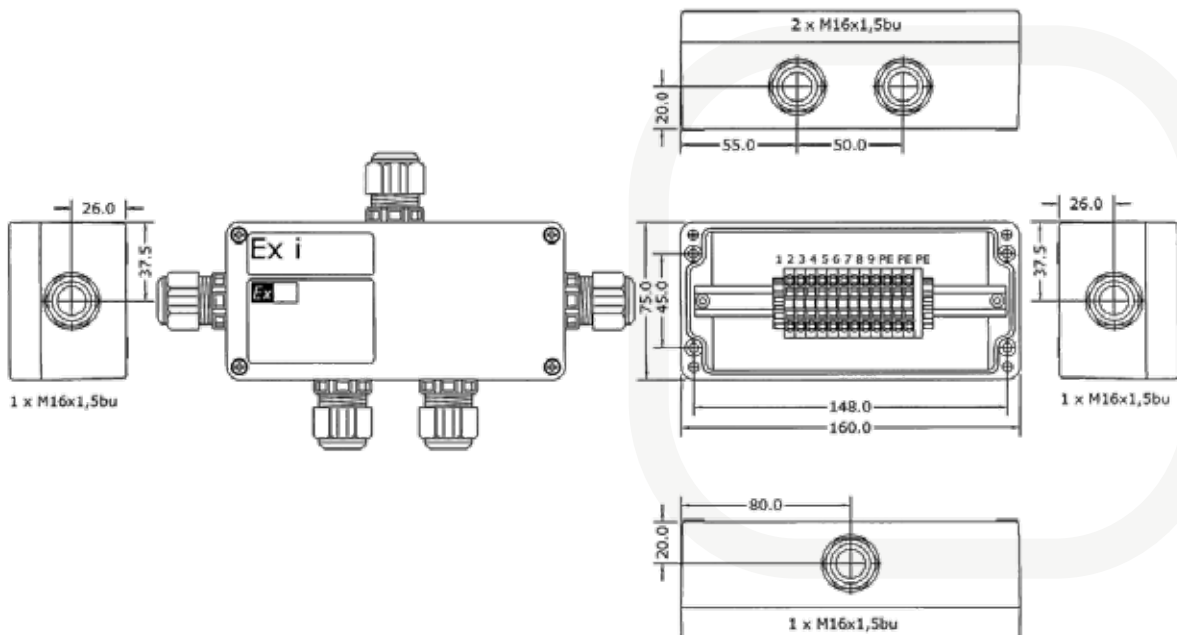
EU-Type Examination Certificate

### ITEM REFERENCES

Designation:	Item No.:
A21-I1-01606+9T2,5+5M20	5A0805

### TECHNICAL SPECIFICATIONS

Marking:	II 2(1)G Ex eb [ia Ga] IIC T6 Gb II 2D Ex tb [ia Da] IIIC T80°C Db
Certificate:	EU-Type Examination Certificate
Housing:	Glass Reinforced Polyester (GRP)
Dimensions:	160x75x55 mm
Operating temperature:	-20°C to +40°C
Terminals:	9 x 2,5mm <sup>2</sup> + 3 PE
Ingress protection:	IP66
Cable entries:	5xM20x1,5 plastic blue cable glands (7-13 mm)



# GRP EX I JUNCTION BOX - 20 ENTRIES / 36 TERMINALS

Zones 1, 2, 21, 22

Full catalogue available on our website: [www.inpratex.com](http://www.inpratex.com)

## ATEX JUNCTION BOXES

ZONES 1, 2 (gas) & 21, 22 (dust)



Ex i junction box for hazardous areas.

Made of glass fiber reinforced polyester.

The box includes 2 cable entries with blue polyamide glands M32x1.5, 18 entries M20x1,5 and is equipped with 36x2.5mm<sup>2</sup> blue terminals + 10 earth terminals.



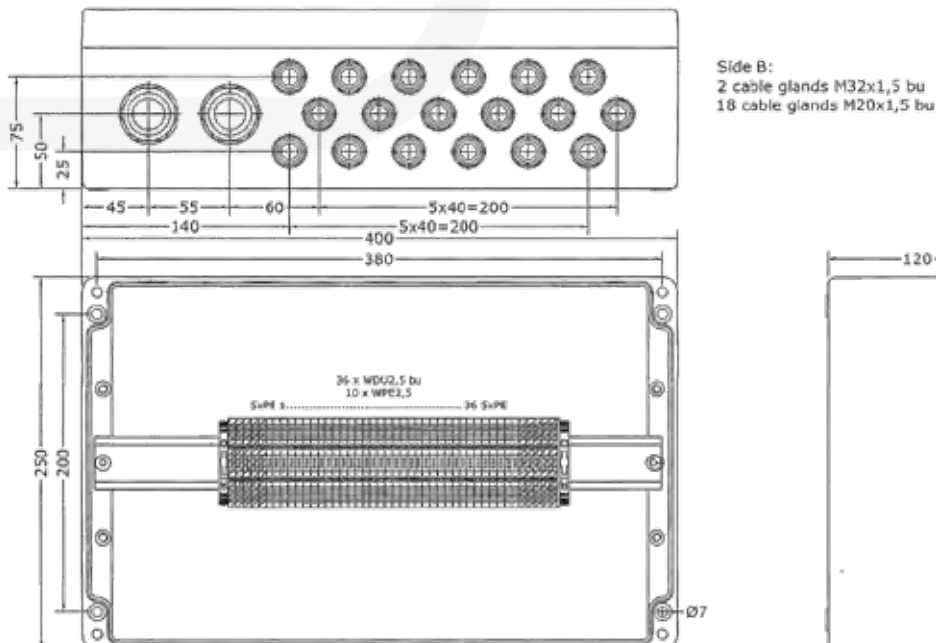
EU-Type Examination Certificate

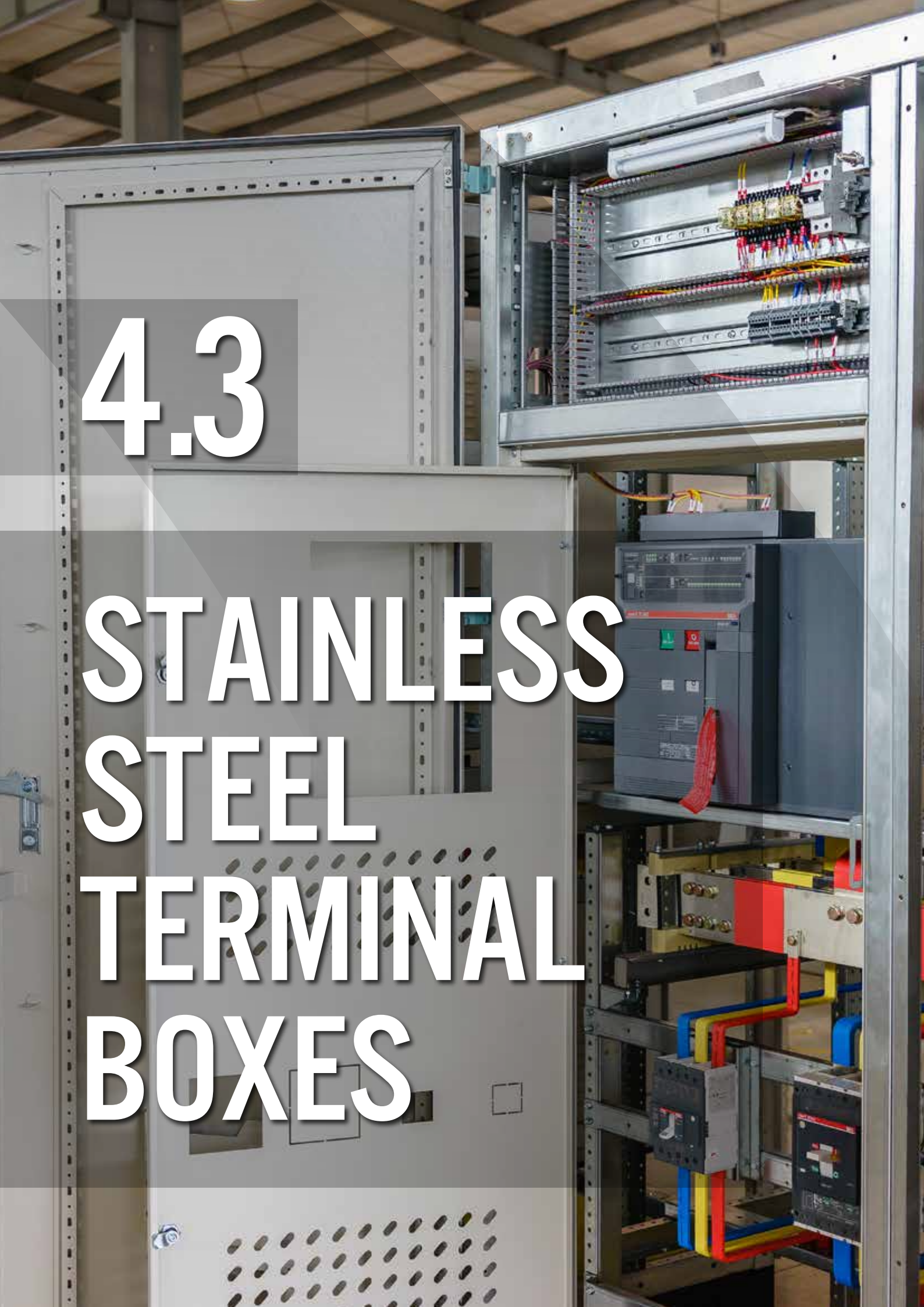
### ITEM REFERENCES

Designation:	Referencia:
A21-I1-04012+36T2,5+2M32+18M20	5A0814

### TECHNICAL SPECIFICATIONS

Marking:	II 2(1)G Ex eb [ia Ga] IIC T6 Gb II 2(1)D Ex tb [ia Da] IIIC T80°C Db
Certificate:	EU-Type Examination Certificate
Housing:	Glass Reinforced Polyester (GRP)
Dimensions:	400x250x120 mm
Operating temperature:	-20°C to +40°C
Terminals:	36 x 2,5mm <sup>2</sup> + 10 PE
Ingress protection:	IP65
Cable entries:	2xM32x1,5 plastic blue cable glands (13-21 mm) 18xM20x1,5 plastic blue cable glands (7-13 mm)





4.3

# STAINLESS STEEL TERMINAL BOXES



# CONFIGURABLE STAINLESS STEEL JUNCTION BOXES

Zones 1, 2, 21, 22

Full catalogue available on our website: [www.inpratex.com](http://www.inpratex.com)

## ATEX JUNCTION BOXES

ZONES 1, 2 (gas) & 21, 22 (dust)

Custom configurable stainless steel ATEX junction boxes for installation in hazardous areas in zones 1, 2, 21 and 22.

The stainless steel enclosures are build in accordance to the individual request and will be equipped with terminals and cable glands.



EU-Type Examination Certificate

We don't supply empty "U" certified enclosures. These terminal boxes must be configured with the number of terminals and cable entries.

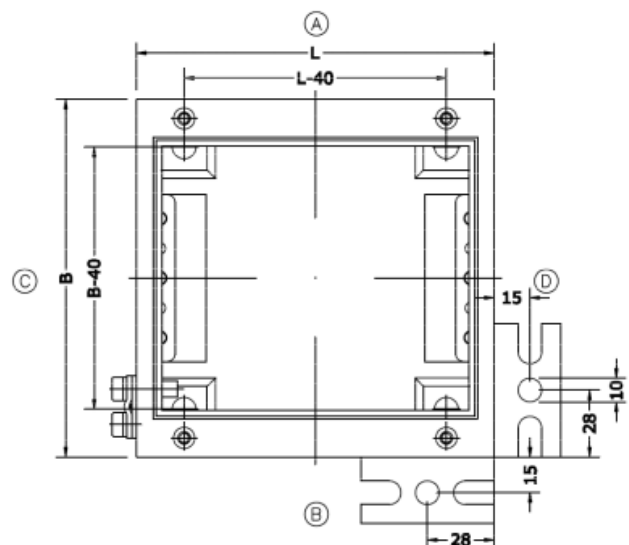


### STANDARD SIZES (SMALL BOXES)

Dimensions:	Maximum No. of terminals / current						Maximum No. of cable glands						
	2,5 mm <sup>2</sup>	4 mm <sup>2</sup>	6 mm <sup>2</sup>	10 mm <sup>2</sup>	16 mm <sup>2</sup>	35 mm <sup>2</sup>	M16x1,5 AB/CD	M20x1,5 AB/CD	M25x1,5 AB/CD	M32x1,5 AB/CD	M40x1,5 AB/CD	M50x1,5 AB/CD	M63x1,5 AB/CD
100x100x61 mm	10	0	0	0	0	0	3/2	2/1	1/0	0/0	0/0	0/0	0/0
150x150x81 mm	18	15	10	0	0	0	8/3	5/2	3/1	2/0	0/0	0/0	0/0
200x200x81 mm	25	20	15	12	0	0	12/3	7/2	4/1	3/0	2/0	0/0	0/0
300x200x81 mm	45	35	28	22	0	0	15/3	10/2	7/1	5/0	4/0	0/0	0/0
400x200x121 mm	62	51	38	31	25	0	30/9	27/6	17/3	14/2	7/1	5/1	3/1
300x300x121 mm	90	70	28	22	16	12	23/9	20/6	12/3	10/2	5/3	3/1	2/1

### TECHNICAL SPECIFICATIONS

Marking:	II 2G Ex e IIC T4/T6 Gb II 2(1)G Ex e[ia] IIC T6 Gb II 2D Ex tb IIIC T80°C
Certificate:	EU-Type Examination Certificate
Operating temperature:	-50°C to +60°C (Depending on the used components and heat disipation)
Material:	Stainless Steel 1.4301. Surface brushed (grain size 240)
Design:	Screwed lid
PE connection:	External, internal on base and lid
Ingress protection:	IP66
Accessories:	Wall mounting brackets



# CONFIGURABLE STAINLESS STEEL JUNCTION BOXES

Zones 1, 2, 21, 22

Full catalogue available on our website: [www.inpratex.com](http://www.inpratex.com)

## ATEX JUNCTION BOXES

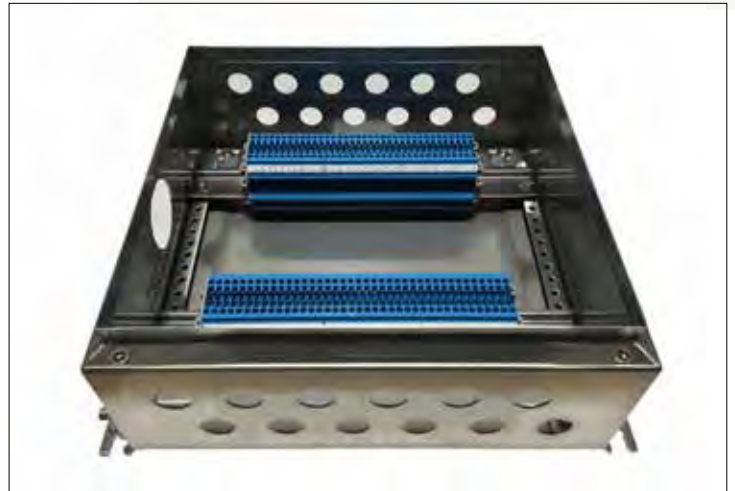
## ZONES 1, 2 (gas) & 21, 22 (dust)

Stainless steel ATEX junction boxes ideal for the connection of cables up to 300mm<sup>2</sup> in hazardous areas in zones 1 and 21.

The stainless steel enclosures are build in accordance to the individual request and will be equipped with terminals and cable glands.

Maximum electrical connection data:  
 Rated voltage: 1100V  
 Rated current: 500A

**We don't supply empty "U" certified enclosures. These terminal boxes must be configured with the number of terminals and cable entries.**



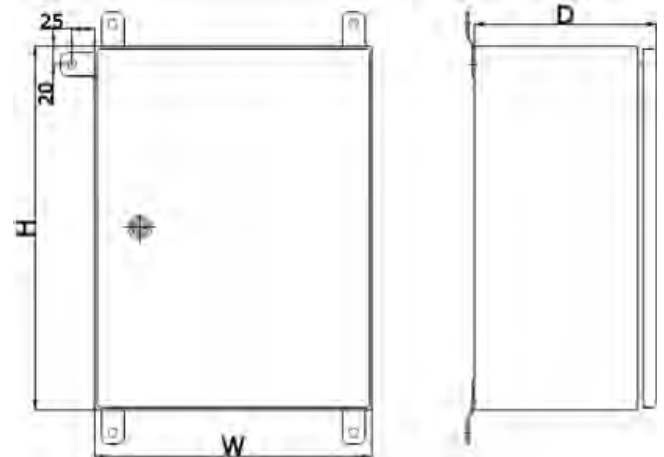
### STANDARD SIZES (LARGE BOXES)

Dimensions:	Maximum No. of terminals / current*						Maximum No. of cable glands						
	35 mm <sup>2</sup>	70 mm <sup>2</sup>	95 mm <sup>2</sup>	120 mm <sup>2</sup>	185 mm <sup>2</sup>	300 mm <sup>2</sup>	M16 x1,5	M20 x1,5	M25 x1,5	M32 x1,5	M40 x1,5	M50 x1,5	M63 x1,5
300x300x200 mm	8/90	7/140	-	-	-	-	3/2	2/1	1/0	0/0	0/0	0/0	0/0
400x600x210 mm	18/65	16/100	14/120	13/145	-	-	8/3	5/2	3/1	2/0	0/0	0/0	0/0
600x400x210 mm	20/60	18/95	14/120	10/145	8/230	-	12/3	7/2	4/1	3/0	2/0	0/0	0/0
800x600x210 mm	54/40	32/75	26/120	24/115	10/220	10/285	15/3	10/2	7/1	5/0	4/0	0/0	0/0
1000x800x300 mm	72/40	46/75	36/120	34/115	13/230	13/290	30/9	27/6	17/3	14/2	7/1	5/1	3/1
1200x1000x400 mm	93/40	90/60	48/120	44/115	34/230	17/290	23/9	20/6	12/3	10/2	5/3	3/1	2/1

\*Maximum current at Ta = 40°C.

### TECHNICAL SPECIFICATIONS

Marking:	 II 2G Ex e IIC T6 Gb  II 2(1)G Ex e[ia] IIC T6 Gb  II 2D Ex tb IIIC T80°C
Certificate:	EU-Type Examination Certificate
Operating temperature:	-50°C to +60°C (Depending on the used components and heat disipation)
Material:	Stainless Steel 1.4301 (V2A) or 1.4404. Surface brushed (grain size 240)
Lid screws:	Stainless Steel
PE connection:	External, internal on base and lid
Rated voltage:	max. 1100V
Rated current:	max. 500A
Ingress protection:	IP66
Accessories:	Wall mounting brackets





# STAINLESS STEEL JUNCTION BOX - 30 TERMINALS / 10 ENTRIES

Zones 1, 2, 21, 22

Full catalogue available on our website: [www.inpratex.com](http://www.inpratex.com)

## ATEX JUNCTION BOXES

ZONES 1, 2 (gas) & 21, 22 (dust)

Custom configurable stainless steel ATEX junction box for installation in hazardous areas in zones 1, 2, 21 and 22.

Equipped with 10 2.5mm<sup>2</sup> terminals and 10 M20x1.5 cable entries, 5 on the upper side and 5 on the lower side.



EU-Type Examination Certificate

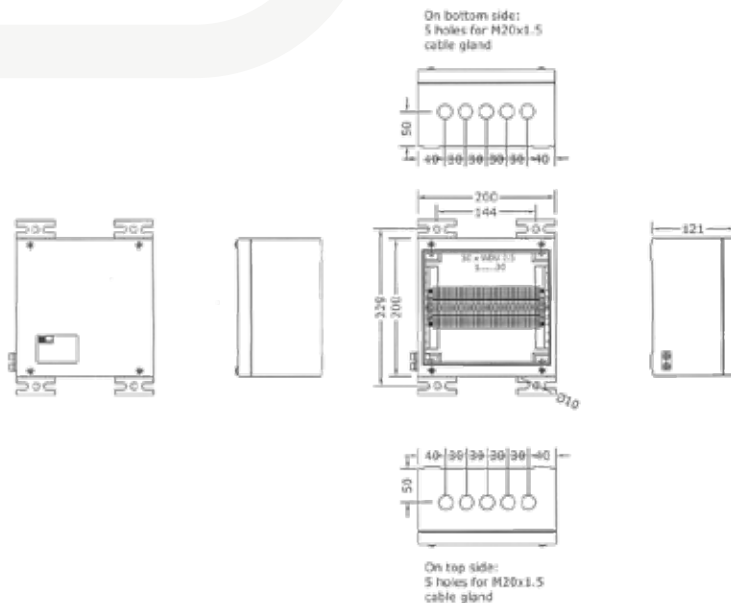


### ITEM REFERENCES

Designation:	Item No.:
A21-E4-02012+30T2,5+10M20	5A0901

### TECHNICAL SPECIFICATIONS

Marking:	II 2G Ex eb IIC T6 Gb II 2D Ex tb IIIC T80°C Db
Certificate:	EU-Type Examination Certificate
Operating temperature:	-20°C to +55°C
Material:	Stainless steel 316 L
Dimensions:	200x200x121 mm
Design:	Screwed lid
Terminals:	30 x 2,5mm <sup>2</sup>
PE connection:	External
Ingress protection:	IP66
Accessories:	Wall mounting brackets
Cable entries:	10xM20 (cable glands / plugs not included)





4.4

SWITCHES

# SWITCHES SERIE EFS

Zones 1, 2, 21, 22

Full catalogue available on our website: [www.inpratex.com](http://www.inpratex.com)

## ATEX SWITCHES

ZONES 1, 2 (gas) & 21, 22 (dust)



Explosion-proof breakers, selector switches, connecting switches series EFS.

Rotating type, with its knob on the front.

Suitable for currents up to 16A and voltages up to 690 VAC / 660 VDC.





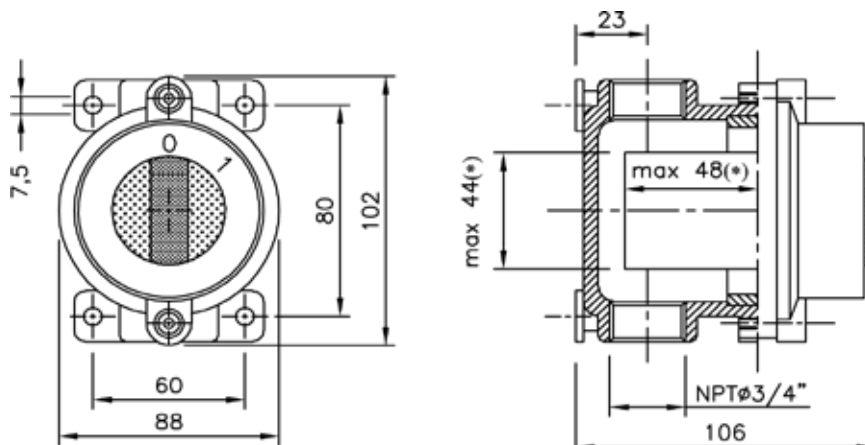
EU-Type Examination Certificate

### ITEM REFERENCES

Designation:	Contact elements:	Item No.:
EFS 116	Single pole switch	3G0101
EFS 216	Double pole switch	3G0102
EFS 316	Three pole switch	3G0103
EFS 416	Four pole switch	3G0104
EFS 116/C	Single pole three position changeover switch	3G0105
EFS 216/C	Double pole three position changeover switch	3G0106
EFS 316/C	Three pole three position changeover switch	3G0107
EFS 116/D	Single pole two position changeover switch	3G0108
EFS 216/D	Double pole two position changeover switch	3G0109
EFS 316/D	Three pole two position changeover switch	3G0110

### TECHNICAL SPECIFICATIONS

Marking:	 II 2G Ex d IIB T6-T5 Gb (IIC on request)  II 2D Ex tb IIIC T85°C-T100°C Db
Certificate:	EU-Type Examination Certificate
Housing:	Aluminium (RAL 7000)
Rated voltage:	Max. 690 VAC / 660 VDC.
Rated current:	Max. 16A
Operating temperature:	-20°C to +40°C
Ingress protection:	IP66/67
Weight:	700 g
Cable entries:	2x3/4" NPT (cable glands not included)





# SWITCHES SERIE EFS

Zones 1, 2, 21, 22

Full catalogue available on our website: [www.inpratex.com](http://www.inpratex.com)

4



CONTROL & CONNECTION EQUIPMENT

## ATEX SWITCHES

## ZONES 1, 2 (gas) & 21, 22 (dust)



3 or 4-pole ATEX certified switches suitable for installation in explosive atmospheres.

Manufactured in light aluminum alloy.

Suitable for currents up to 25A, 32A, 40A or 63A and voltages up to 690 VAC / 660 VDC.



EU-Type Examination Certificate

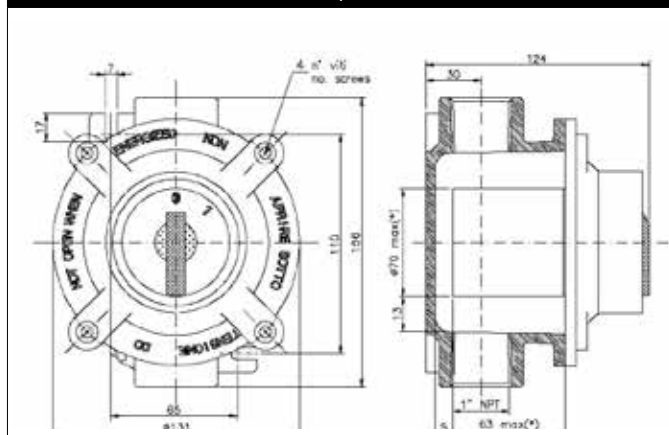
### ITEM REFERENCES

Designation:	Contacts:	I <sub>e</sub> /AC1=I <sub>th2</sub>	kW AC3 (380-440V)	Weight:	Item No.:
EFS 325	3 poles	25A	5,5 kW	1300 g	3G0201
EFS 425	4 poles	25A	5,5 kW	1300 g	3G0202
EFS 332	3 poles	32A	7,5 kW	1300 g	3G0203
EFS 432	4 poles	32A	7,5 kW	1300 g	3G0204
EFS 340	3 poles	40A	15 kW	2300 g	3G0301
EFS 440	4 poles	40A	11 kW	2300 g	3G0302
EFS 363	3 poles	63A	22 kW	2300 g	3G0303
EFS 463	4 poles	63A	22 kW	2300 g	3G0304

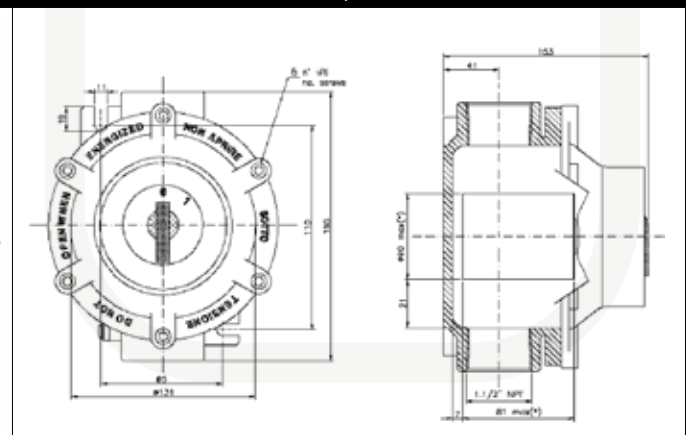
### TECHNICAL SPECIFICATIONS

Marking:	II 2G Ex d IIB T6-T4 Gb (IIC version: on request) II 2D Ex tb IIIC T85°C-T135°C Db
Certificate:	EU-Type Examination Certificate
Material:	Aluminium (RAL 7000)
Operating temperature:	-20°C to +40°C
Ingress protection:	IP66 (IIB version)   IP66/67 (IIC version)
Cable entries:	25/32A - 2x1" NPT (cable glands not included) 40/63A - 2x1.1/2" NPT (cable glands not included)

#### 25A / 32A



#### 40A / 63A



# GENERAL PURPOSE SWITCH

Zones 1, 2, 21, 22

Full catalogue available on our website: [www.inpratex.com](http://www.inpratex.com)

## ATEX SWITCHES

ZONES 1, 2 (gas) & 21, 22 (dust)



General purpose switch for use in explosive atmospheres.

Made of Glass Reinforced Polyester (GRP).

Its dimensions allow a comfortable wiring for an quick installation.



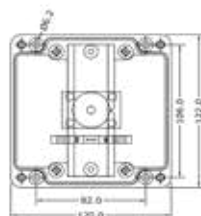
EU-Type Examination Certificate

### ITEM REFERENCES

Contacts:	Designation:	Weight:	Item No.:
	Switch A21 2NC + Armoured cable gland M20x1,5 brass (14-20,5 mm)	1,2 kg	4E0101
	Switch A21 2NO + Armoured cable gland M20x1,5 brass (14-20,5 mm)	1,2 kg	4E0102
	Switch A21 1NC+1NO + Armoured cable gland M20x1,5 brass (14-20,5 mm)	1,2 kg	4E0103

### TECHNICAL SPECIFICATIONS

Marking:	II 2G Ex e IIC T6 Gb II 2D Ex tb IIIC T80°C		
Certificate:	EU-Type Examination Certificate		
Operating temperature:	-20°C to +40°C		
Ingress protection:	IP65		
Material:	Glass fibre reinforced polyester (GRP)		
Nominal isolation voltage:	690 V		
Voltage range:			
400 V	400 V	110 V	24 V
Utilization categories:			
AC-12	AC-15	DC-13	DC-13
Current range:			
16 A	10 A	0,5 A	1 A
Conventional thermal current:	16 A/+40 °C, 11 A/+60 °C		
Connection:	Terminals 2,5 mm <sup>2</sup>		
Operating cycle:	10 <sup>6</sup> commutations		





# PADLOCKABLE LOAD BREAK SWITCH FOR 5,5KW MOTORS

Zones 1, 2, 21, 22

Full catalogue available on our website: [www.inpratex.com](http://www.inpratex.com)

## ATEX SWITCHES

## ZONES 1, 2 (gas) & 21, 22 (dust)



4-pole ATEX padlockable 0/1 or 0/1/2/3 disconnecter with AC3 breaking capacity up to 5.5 kW at 400V.

Includes a brass plate and 2 or 3 brass or nickel-plated brass M20x1.5 cable glands for installation with armoured cables, or 2 or 3 polyamide cable glands for non-armoured cables.



EU-Type Examination Certificate

### ITEM REFERENCES

Contacts:	Designation:	Weight:	Item No.:
	0-1 Load break switch A21 Series + 2 brass cable glands for armoured cable M20x1,5 (13,2-20,5 mm)	1,5 kg	4E0201
	0-1 Load break switch A21 Series + 3 brass cable glands for armoured cable M20x1,5 (13,2-20,5 mm)	1,5 kg	4E0202
	0-1 Load break switch A21 Series + 2 plastic cable glands for non-armoured cable M20x1,5 (7-13 mm)	1 kg	4E0203
	0-1 Load break switch A21 Series + 3 plastic cable glands for non-armoured cable M20x1,5 (7-13 mm)	1 kg	4E0204
	0-1-2-3 Load break switch A21 Series + 2 brass cable glands for armoured cable M20x1,5 (13,2-20,5 mm)	1,5 kg	4E0205
	0-1-2-3 Load break switch A21 Series + 2 Non-armoured cable glands M20x1,5 (7-13 mm)	1 kg	4E0206

### TECHNICAL SPECIFICATIONS

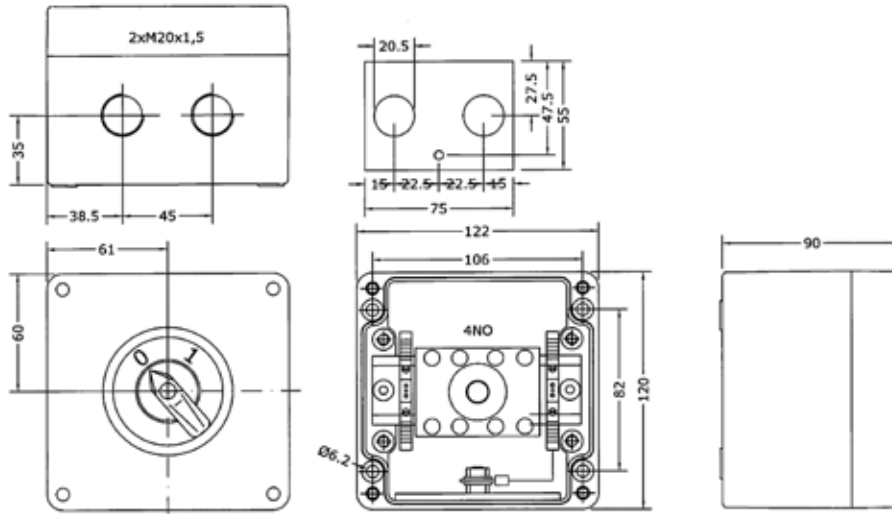
Marking:	II 2G Ex ed II T6 Gb II 2D Ex tb IIIC T80°C	
Certificate:	EU-Type Examination Certificate	
Operating temperature:	-20°C a +40°C	
Ingress protection:	IP65	
Material:	Glass fibre reinforced polyester (GRP)	
Breaking capacity:		
P/AC-3/AC-23	AC-3	AC-23
230V	3 ph/3 kW	1 ph/2,2 kW
400V	3 ph/5,5 kW	1 ph/3 kW
$I_e = AC-23/400 V/10 A$		
Utilization categories:		
AC-15	400 V	10 A
AC-12	400 V	16 A
DC-13	24 V	1 A
Nominal isolation voltage:	$U_i = 690V \mid U_e = 450V$	
Nominal pulse voltage:	$U_{imp} = 6 kV$	
Rated short-circuit current (400V):	$I_e = 4 kA$	
Short-circuit current:	max. 16A	
Connection:	Terminals 2,5 mm <sup>2</sup>	

# PADLOCKABLE LOAD BREAK SWITCH FOR 5,5KW MOTORS

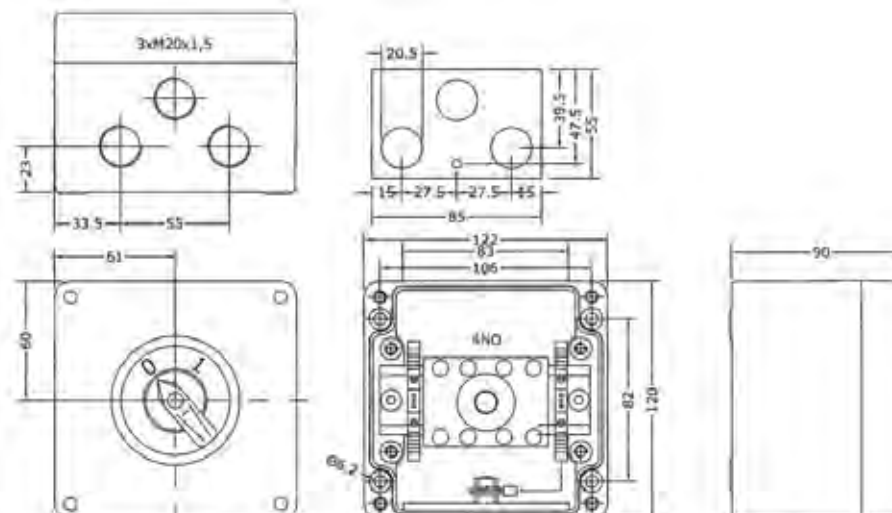
Zones 1, 2, 21, 22

Full catalogue available on our website: [www.inpratex.com](http://www.inpratex.com)

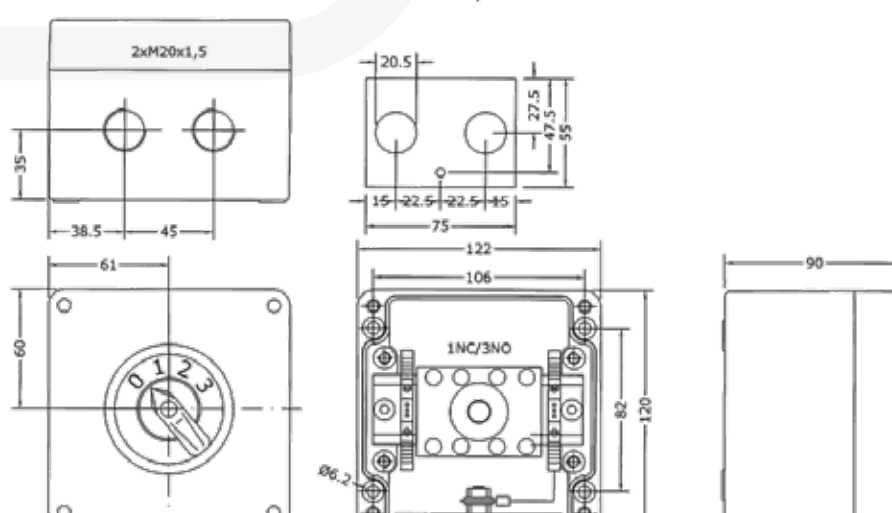
ITEM No. 4E0201-4E0203



ITEM No. 4E0202-4E0204



ITEM No. 4E0205-4E0206



# REGOLUS EX SWITCH DISCONNECTORS

Zones 21, 22

Full catalogue available on our website: [www.inpratex.com](http://www.inpratex.com)

4



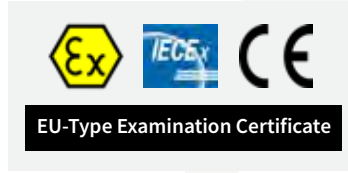
CONTROL & CONNECTION EQUIPMENT

## ATEX SWITCHES

## ZONES 21, 22 (dust)

ATEX switch disconnectors Regolus Ex for command and emergency in aluminum box painted in Grey and Yellow, suitable for use in Zone 21 and 22 (Dust) with rated current of 25-32-40-63A.

The enclosure is sealed so tight, that no combustible dust can enter. The surface temperature of the external enclosure is limited



Cable glands/plugs not included



### ITEM REFERENCES

Model: (SERIE SQ)	Poles:	Finishing:	Rated current:	AC 22A/690V:	AC 23A/400V	Item No.:
SQ025003DEX09	3P	EX09 Grey	32 A	25 A	25 A	3H0101
SQ025003DEX10	3P	EX10 Yellow	32 A	25 A	25 A	3H0102
SQ032003DEX09	3P	EX09 Grey	40 A	32 A	32 A	3H0103
SQ032003DEX10	3P	EX10 Yellow	40 A	32 A	32 A	3H0104
SQ040003DEXB9	3P	EX09 Grey	63 A	63 A	50 A	3H0105
SQ040003DEXB0	3P	EX10 Yellow	63 A	63 A	50 A	3H0106
SQ063003DEXB9	3P	EX09 Grey	80 A	80 A	75 A	3H0107
SQ063003DEXB0	3P	EX10 Yellow	80 A	80 A	75 A	3H0108
Model: (SERIE SE)						
SE630003BEXB9	3P	EXB9 Grey	63 A	63 A	40 A	3H0109
SE630004BEXB9	4P	EXB9 Grey	63 A	63 A	40 A	3H0110
SE630003BEXB0	3P	EX10 Yellow	63 A	63 A	40 A	3H0111
SE630004BEXB0	4P	EX10 Yellow	63 A	63 A	40 A	3H0112
SE800003BEXB9	3P	EXB9 Grey	80 A	80 A	55 A	3H0113
SE800004BEXB9	4P	EXB9 Grey	80 A	80 A	55 A	3H0114
SE800003BEXB0	3P	EX10 Yellow	80 A	80 A	55 A	3H0115
SE800004BEXB0	4P	EX10 Yellow	80 A	80 A	55 A	3H0116
SE100003BEXB9	3P	EXB9 Grey	85 A	85 A	67 A	3H0117
SE100004BEXB9	4P	EXB9 Grey	85 A	85 A	67 A	3H0118
SE100003BEXB0	3P	EX10 Yellow	85 A	85 A	67 A	3H0119
SE100004BEXB0	4P	EX10 Yellow	85 A	85 A	67 A	3H0120

### TECHNICAL SPECIFICATIONS

Marking:	II 2D Ex tb IIIC T85°C Db							
Certificate:	EU-Type Examination Certificate							
Operating temperature:	-20°C to +55°C							
Ingress protection:	IP65							
Housing:	Aluminium	Colour: Yellow (PANTONE 102C)   Grey (RAL 7035)						
Cable entries:	SQ 025 - 032	SQ 040-063 and SE 63-80-100						
	Upper side: 1 Hole M25, 1 Hole M20 Bottom side: 1 Hole M25, 1 Hole M20	Upper side: 1 Hole M40 Bottom side: 1 Hole M40						
<b>WIRING DIAGRAM</b> <table border="1"> <thead> <tr> <th></th> <th>3 POLES</th> <th>4 POLES</th> </tr> </thead> <tbody> <tr> <td></td> <td></td> <td></td> </tr> </tbody> </table>				3 POLES	4 POLES			
	3 POLES	4 POLES						

# FOOT SWITCHES

Zones 1, 2, 21, 22

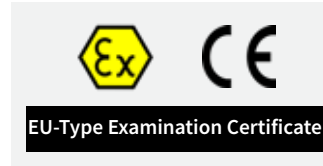
Full catalogue available on our website: [www.inpratex.com](http://www.inpratex.com)

## ATEX SWITCHES

ZONES 1, 2 (gas) & 21, 22 (dust)

The XPEW foot switch is designed to be operated by foot action so that operators can focus their hands and eyes on other tasks.

They are designed for explosive atmospheres gas/vapours or dust and meet the highest levels of protection.




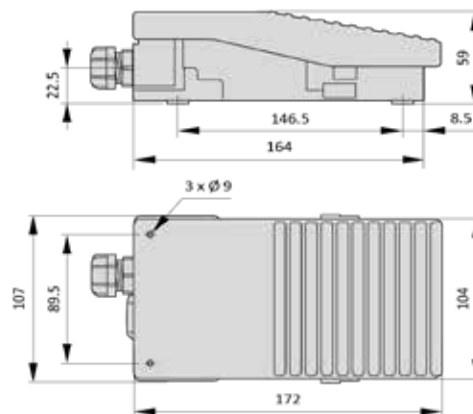
Useful for maintenance operations.

### ITEM REFERENCES

Model:	Control unit type / contact:	Colour:	Item No.:
XPEWM110	1 step / 1 x NC + NO	Blue	3F0101
XPEWM111	1 step / 2 x NC + NO	Blue	3F0102
XPEWM211	2 steps / 2 x NC + NO	Blue	3F0103
XPEWR110	1 step / 1 x NC + NO	Orange	3F0104
XPEWR111	1 step / 2 x NC + NO	Orange	3F0105
XPEWR211	2 steps / 2 x NC + NO	Orange	3F0106

### TECHNICAL SPECIFICATIONS

Marking:	 II 2GD Ex d e IIC T6 Gb or Ex tb IIIC T85°C Db
Certificate:	EU-Type Examination Certificate
Housing:	Zamac, carbon steel
Operating temperature:	-20°C to +60°C
Features of the contact block:	U <sub>max</sub> =250 V   I <sub>max</sub> =3 A
Mechanical endurance:	Actuator: 5 million operations - Contact block: 1 million operations
Ingress protection:	IP65
Cable entries:	1xPG16 cable gland



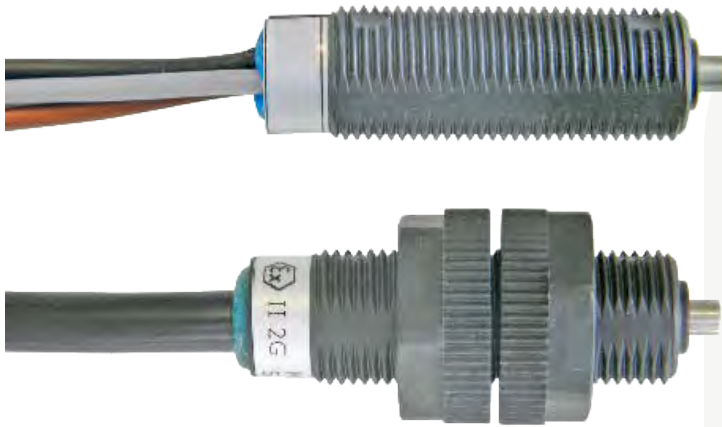
# EX D MICROSWITCH M12 TYPE AS1

Zones 1, 2

Full catalogue available on our website: [www.inpratex.com](http://www.inpratex.com)

## ATEX LIMIT SWITCHES

ZONES 1, 2 (gas)





The cylindrical M12 microswitches are used in potential explosive atmospheres zone 1/2, wherever the switching status must be recorded accurately without using an additional intrinsically safe amplifier.

Because of the goldplated contacts, the M12 microswitches can also directly connected to intrinsically safe circuits. Due to the cylindrical design, they can be precisely adjusted by the M12x1 fine thread or can be installed in the usual mounting kits for inductive proximity switches of the size M12.





EU-Type Examination Certificate

### ITEM REFERENCES

Designation:	Wire / Cable Length:	Item No.:	
For use installed inside separate certified enclosures with single cores; 3x 0,5 mm <sup>2</sup>			
	AS1-A7-500028	Single wires 14 cm	500028
	AS1-A7-500024	Single wires 16 cm	500024
	AS1-A7-500025	Single wires 26 cm	500025
	AS1-A7-500026	Single wires 1 m	500026
For direct installation on machines with cable 3 x 0,5 mm <sup>2</sup>			
	AS1-L7-500027	Cable 3 m	500027
	AS1-L7-500030	Cable 5 m	500030
	AS1-L7-500031	Cable 10 m	500031

### TECHNICAL SPECIFICATIONS

Marking:	 II 2G Ex db IIC T6 Gb	
Certificate:	EU-Type Examination Certificate	Contacts:
Material:	Glass fiber reinforced polyamide	1 = brown "C"
Switch contact:	1 Changeover	2 = black "NC"
Mechanical life time:	200.000 operations	4 = grey "NO"
Operating temperature:	up to 4 A: -20°C to +60°C from 4 to 5 A: -20°C to +40°C	
Design:	Cylindrical design M12x1. Length 38 mm (without actuator)	
Variants:	with single core 3 x 0,5 mm <sup>2</sup> with cable 3 x 0,5 mm <sup>2</sup>	
Ingress protection:	min. IP54	

### CONTACT ELEMENT

Switching voltage AC 250 V	SWITCHING CURRENT		
	5 A / AC-12	4 A / AC-12	1 A / AC-13/15
Switching voltage DC 24 V	SWITCHING CURRENT		
	5 A / DC-12	4 A / DC-12	0,6 A / DC-13
Operating force:	1,7 N		
Electr. life time:	2 x 10 <sup>6</sup>		
Contact:	Goldplated silver		
Switching frequency:	max. 5/s		
Vibration resistance:	10g (500 Hz) (EN60068-1-6)		



# STAINLESS STEEL PUSH BUTTON SET STRONG - SMART

Zones 1, 2, 21, 22

Full catalogue available on our website: [www.inpratex.com](http://www.inpratex.com)

## ATEX SWITCHES

ZONES 1, 2 (gas) & 21, 22 (dust)

With the stainless steel push-button actuators, the cylindrical microswitches AS1 can be installed in hazardous areas zone 1/21.

There are two actuators available according to local requirements:

Due to its flat design and rounded edges, the SMART actuator offers little surface for external damage or dirt deposits.

Due to its higher design, the STRONG actuator makes it possible to use the switch in enclosures with a depth of 60 mm.

The delivery includes a self-adhesive, black label and a lock nut. Other labels are available in red, yellow, green, blue and white.

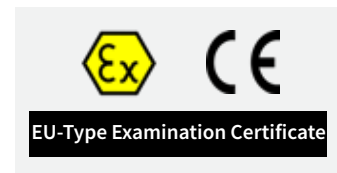
By means of a suitable protective sleeve, the switches can also be used without a protective housing in zone 1.



Ex Push Button STRONG (without sleeve)



Ex Push Button SMART (with sleeve)



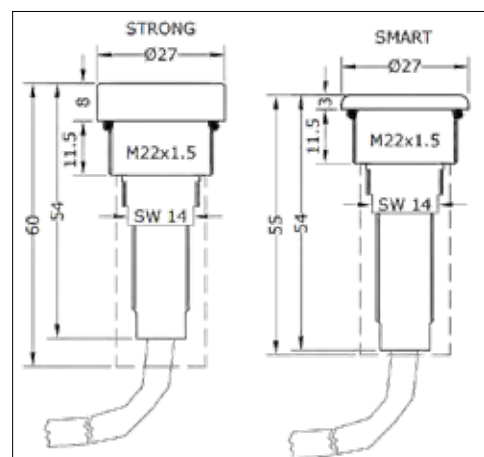
ITEM REFERENCES	
Model:	Item No.:
STRONG SET 10m cable	219475
STRONG SET 3m cable	219476
SMART SET 10m cable, sleeve and locknut	218179
SMART SET 3m cable, sleeve and locknut	219474

TECHNICAL SPECIFICATIONS	
Marking Actuator AK1-:	II 2G Ex eb IIC Gb II 2D Ex tb IIIC Db
Marking Switch AS1-:	II 2G Ex db IIC T6 Gb -40°C to +60°C
Certificate:	EU-Type Examination Certificate
Electrical data	
Operating voltage:	24 VDC / 230 VAC
Rated current:	DC 12 / AC 12 max. 5 A
Electrical connection:	3x0,5 mm <sup>2</sup> , Ø 5.4 mm 1 = C / 2 = NC / 3 = NO
Mechanical data	
Housing:	Stainless steel 1.4305
Sealing:	EPDM
Ingress protection:	IP65
Mounting hole:	22,0 ... 22,3 mm / M 22x1,5
Torque:	8 Nm
Max wall thickness:	1,0 ... 7,0 mm
Weight:	600 g (10m cable)

CONTACTS	
1 = brown "C"	
2 = black "NC"	
4 = grey "NO"	

APPLICATIONS	
Actuator SMART with AS1-switch with protective sleeve	Actuator STRONG with switch AS1- in enclosure

ACCESSORIES	
Description:	Item No.:
Earthing set (earth lug + nut)	216742
Red label (self-adhesive)	106457
Green label (self-adhesive)	106458
Yellow label (self-adhesive)	106460
Blue label (self-adhesive)	106461
White label (self-adhesive)	106462



A photograph of an open industrial control cabinet. The cabinet is light grey and has its doors swung open to the left. Inside, there are several shelves and racks. At the top, there are terminal blocks with many colorful wires (red, blue, yellow, green) connected. Below that, there are more terminal blocks and a large grey control unit with a digital display and buttons. At the bottom, there are more electrical components, including a large black switch or relay with colorful wires connected to it. The background shows a wooden ceiling structure.

4.5

# CONTROL STATIONS

# CONFIGURABLE GRP CONTROL STATIONS

Zones 1, 2, 21, 22

Full catalogue available on our website: [www.inpratex.com](http://www.inpratex.com)

## ATEX CONTROL STATIONS

ZONES 1, 2 (gas) & 21, 22 (dust)



Glass fibre reinforced polyester (GRP) control boxes certified for application in hazardous area zones 1,2 and zones 21,22.

These local control panels can be equipped with up to 4 integration components according to customer requirements.

The low side walls of the housing allow for fast integration and connection on site.





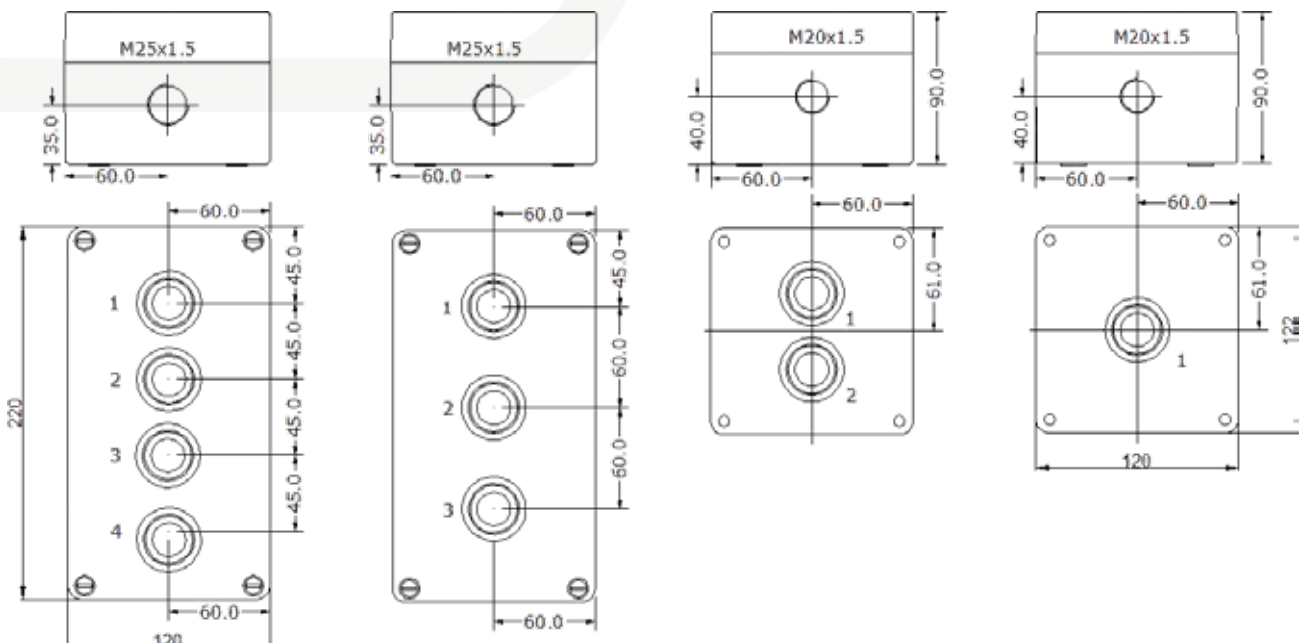
EU-Type Examination Certificate

### ITEM REFERENCES

Designation:	Item No.:
Single device enclosure	A21-E1-01209 (1)
Double device enclosure	A21-E1-01209 (2)
Triple device enclosure	A21-E1-02209 (3)
Four device enclosure	A21-E1-02209 (4)

### TECHNICAL SPECIFICATIONS

Marking:	 II 2G Ex ed IIC T6 Gb  II 2D Ex tb IIIC T80°C
Certificate:	EU-Type Examination Certificate
Operating temperature:	-20°C to +40°C
Ingress protection:	IP65
Material:	Glass fibre reinforced polyester (GRP)











# CONTROL STATIONS - SIGNAL AND CONTROL UNITS

Zones 1, 2, 21, 22

Full catalogue available on our website: [www.inpratex.com](http://www.inpratex.com)

PUSHBUTTON SELECTION TABLE		
Element:	Designation:	Item No.:
	Pushbutton 1NO+1NC Tags: White (bw), Black (bb), Red (br), Green (bg), Yellow (by)	bw 1NO+1NC bb 1NO+1NC br 1NO+1NC bg 1NO+1NC by 1NO+1NC
	Pushbutton 2NC Tags: White (bw), Black (bb), Red (br), Green (bg), Yellow (by)	bw 2NC bb 2NC br 2NC bg 2NC by 2NC
	Pushbutton 2NO Tags: White (bw), Black (bb), Red (br), Green (bg), Yellow (by)	bw 2NO bb 2NO br 2NO bg 2NO by 2NO

EMERGENCY-STOP PUSHBUTTON SELECTION TABLE		
Element:	Designation:	Item No.:
	Emergency-stop pushbutton (e) 1NO+1NC	e 1NO+1NC
	Lockable emergency-stop pushbutton (ek)	ek 1NO+1NC
	Emergency-stop pushbutton (e) 2NC	e 2NC
	Lockable emergency-stop pushbutton (ek)	ek 2NC
	Emergency-stop pushbutton (e) 2NO	e 2NO
	Lockable emergency-stop pushbutton (ek)	ek 2NO

SELECTOR SWITCH SELECTION TABLE		
Element:	Designation:	Item No.:
	Selector switch I-0 (2w) 1NO+1NC Selector switch I-0-II (3wl) [I+II locked] Selector switch I-0-II (3wm) [I+II non-locked] Selector switch I-0-II (3wem) [I locked, II non-locked] Selector switch I-0-II (3wme) [I non-locked, II locked]	2w 1NO+1NC 3wl 1NO+1NC 3wm 1NO+1NC 3wem 1NO+1NC 3wme 1NO+1NC
	Selector switch I-0 (2w) 2NC Selector switch I-0-II (3wl) [I+II locked] Selector switch I-0-II (3wm) [I+II non-locked] Selector switch I-0-II (3wem) [I locked, II non-locked] Selector switch I-0-II (3wme) [I non-locked, II locked]	2w 2NC 3wl 2NC 3wm 2NC 3wem 2NC 3wme 2NC
	Selector switch I-0 (2w) 2NO Selector switch I-0-II (3wl) [I+II locked] Selector switch I-0-II (3wm) [I+II non-locked] Selector switch I-0-II (3wem) [I locked, II non-locked] Selector switch I-0-II (3wme) [I non-locked, II locked]	2w 2NO 3wl 2NO 3wm 2NO 3wem 2NO 3wme 2NO

# CONTROL STATIONS - SIGNAL AND CONTROL UNITS

Zones 1, 2, 21, 22


Full catalogue available on our website: [www.inpratex.com](http://www.inpratex.com)


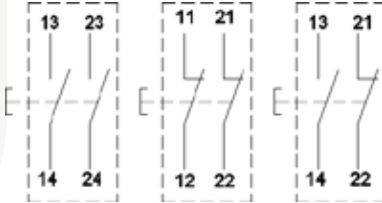
4



CONTROL & CONNECTION EQUIPMENT

INDICATOR LIGHT SELECTION TABLE		
Element:	Designation:	Item No.:
	Indicator light Colours: White (sw), Red (sr), Green (sg), Blue (sb), Yellow (sy)	sw sr sg sb sy

LUMINOUS PUSHBUTTON SELECTION TABLE		
Element:	Designation:	Item No.:
	Luminous pushbutton 1NO Colours: White (sw), Red (sr), Green (sg), Blue (sb), Yellow (sy)	sw+1NO sr+1NO sg+1NO sb+1NO sy+1NO
	Luminous pushbutton 1NC Colours: White (sw), Red (sr), Green (sg), Blue (sb), Yellow (sy)	sw+1NC sr+1NC sg+1NC sb+1NC sy+1NC

INTERNAL CONTACT MODULE				
				
Marking:	Ex II 2G Ex de IIC Gb Ex I M2 Ex de I Mb			
Certificate:	EU-Type Examination Certificate			
Operating temperature:	-55°C to +60°C			
Ingress protection:	IP20			
Nominal isolation voltage:	690 V			
Voltage range:				
400 V	400 V	110 V	24 V	
Utilization categories:				
AC-12	AC-15	DC-13	DC-13	
Current range:				
16 A	10 A	0,5 A	1 A	
Conventional thermal current:	16 A/+40 °C, 11 A/+60 °C			
Connection:	Terminals 2,5 mm <sup>2</sup>			
Operating cycle:	10 <sup>6</sup> commutations			







# CONTROL STATIONS - SIGNAL AND CONTROL UNITS


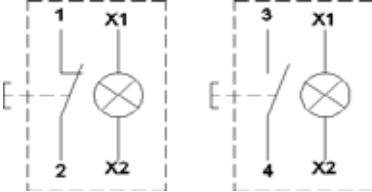

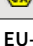
Zones 1, 2, 21, 22

Full catalogue available on our website: [www.inpratex.com](http://www.inpratex.com)

## INTERNAL MODULE FOR INDICATOR LIGHTS

	
<b>Marking:</b>	 II 2G Ex de IIC Gb  I M2 Ex de I Mb
<b>Certificate:</b>	EU-Type Examination Certificate
<b>Operating temperature:</b>	-55 °C to +50 °C / +60 °C (AC/DC 12V to 24V)
<b>Ingress protection:</b>	IP20
<b>Nominal isolation voltage:</b>	300 V
<b>Voltage range:</b>	AC 12 V to 250 V ( $T_a \leq +50^\circ\text{C}$ ) DC 12 V to 60 V ( $T_a \leq +50^\circ\text{C}$ ) AC/DC 12 V to 24 V ( $T_a \leq +60^\circ\text{C}$ )
<b>Power:</b>	< 1 W
<b>Lamp:</b>	LED (Red, Green, Yellow, White, Blue)
<b>Connection:</b>	Terminals 2,5 mm <sup>2</sup>
<b>Operating cycle:</b>	>10 <sup>5</sup> hours

## INTERNAL MODULE FOR INDICATOR LIGHTS WITH AUXILIARY CONTACT

	
<b>Marking:</b>	 II 2G Ex de IIC  I M2 Ex de I
<b>Certificate:</b>	EU-Type Examination Certificate
<b>Operating temperature:</b>	-55 °C to +50 °C / +60 °C (AC/DC 12V to 24V)
<b>Ingress protection:</b>	IP20
<b>Nominal isolation voltage:</b>	300 V
<b>Voltage range:</b>	AC 12 V to 250 V ( $T_a \leq +50^\circ\text{C}$ ) DC 12 V to 60 V ( $T_a \leq +50^\circ\text{C}$ ) AC/DC 12 V to 24 V ( $T_a \leq +60^\circ\text{C}$ )
<b>Power:</b>	< 1 W
<b>Lamp:</b>	LED (Red, Green, Yellow, White, Blue)
<b>Contact:</b>	
<b>Voltage range / Utilization category / Consumption</b>	
230 V AC / AC-15 / 1A 24V DC / DC-13 / 0,25 A	
<b>Connection:</b>	Terminals 2,5 mm <sup>2</sup>
<b>Operating cycle:</b>	>10 <sup>5</sup> hours / > 10 <sup>5</sup> commutations

# SINGLE PUSHBUTTON

Zones 1, 2, 21, 22

Full catalogue available on our website: [www.inpratex.com](http://www.inpratex.com)

## ATEX CONTROL STATIONS

ZONES 1, 2 (gas) & 21, 22 (dust)



Ex e Pushbutton made of glass fibre reinforced polyester for application in hazardous areas.  
Tags: white (bw), black (bb), red (br), green (bg) or yellow (by).

Can be supplied with M20 cable glands for armored or non-armored cable.



EU-Type Examination Certificate

### ITEM REFERENCES

Designation:		Item No.:
	Pushbutton 1NO+1NC - M20 Plastic cable gland	3J0601
	Pushbutton 2NC - M20 Plastic cable gland	3J0602
	Pushbutton 2NO - M20 Plastic cable gland	3J0603
	Pushbutton 1NO+1NC - M20 Brass Cable Gland	3J0604
	Pushbutton 2NC - M20 Brass Cable Gland	3J0605
	Pushbutton 2NO - M20 Brass Cable Gland	3J0606
	Pushbutton 1NO+1NC - M20 Nickel-Plated Brass Cable Gland	3J0607
	Pushbutton 2NC - M20 Nickel-Plated Brass Cable Gland	3J0608
	Pushbutton 2NO - M20 Nickel-Plated Brass Cable Gland	3J0609

### TECHNICAL SPECIFICATIONS

Marking:	II 2G Ex ed IIC T6 Gb II 2D Ex tb IIIC T80°C
Certificate:	EU-Type Examination Certificate
Operating temperature:	-20°C to +40°C
Ingress protection:	IP65
Material:	Glass fibre reinforced polyester (GRP)
Cable entries:	1xM20x1,5

### INTERNAL CONTACT MODULE

Marking:	II 2G Ex de IIC Gb I M2 Ex de I Mb
Certificate:	EU-Type Examination Certificate
Operating temperature:	-55°C to +60°C
Ingress protection:	IP20
Nominal isolation voltage:	690 V
Voltage range:	
400 V	400 V      110 V      24 V
Utilization categories:	
AC-12	AC-15      DC-13      DC-13
Current range:	
16 A	10 A      0,5 A      1 A

# SINGLE INDICATOR LIGHT

Zones 1, 2, 21, 22

Full catalogue available on our website: [www.inpratex.com](http://www.inpratex.com)

## ATEX CONTROL STATIONS

## ZONES 1, 2 (gas) & 21, 22 (dust)



Ex e indicator lights made of glass fibre reinforced polyester for application in hazardous areas.




Colours: White (sw), Red (sr), Green (sg), Blue (sb), Yellow (sy)

Can be supplied with M20 cable glands for armored or non-armored cable.





EU-Type Examination Certificate

### ITEM REFERENCES


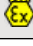
Designation:	Cable glands:	Item No.:
	Indicator light - WHITE	3J0801
	Indicator light - RED	3J0802
	Indicator light - GREEN	3J0803
	Indicator light - BLUE	3J0804
	Indicator light - YELLOW	3J0805
	Indicator light - WHITE	3J0806
	Indicator light - RED	3J0807
	Indicator light - GREEN	3J0808
	Indicator light - BLUE	3J0809
	Indicator light - YELLOW	3J0810
	Indicator light - WHITE	3J0811
	Indicator light - RED	3J0812
	Indicator light - GREEN	3J0813
	Indicator light - BLUE	3J0814
	Indicator light - YELLOW	3J0815

### TECHNICAL SPECIFICATIONS

Marking:	 II 2G Ex ed IIC T6 Gb  II 2D Ex tb IIIC T80°C
Certificate:	EU-Type Examination Certificate
Operating temperature:	-20°C to +40°C
Ingress protection:	IP65
Material:	Glass fibre reinforced polyester (GRP)
Cable entries:	1xM20x1,5

### INTERNAL MODULE FOR INDICATOR LIGHTS



Marking:	 II 2G Ex de IIC Gb  I M2 Ex de I Mb
Certificate:	EU-Type Examination Certificate
Operating temperature:	-55 °C to +50 °C / +60 °C (AC/DC 12V to 24V)
Ingress protection:	IP20
Nominal isolation voltage:	300 V
Voltage range:	AC 12 V to 250 V ( $T_a \leq +50^\circ\text{C}$ ) / DC 12 V to 60 V ( $T_a \leq +50^\circ\text{C}$ ) / AC/DC 12 V to 24 V ( $T_a \leq +60^\circ\text{C}$ )
Power:	< 1 W
Lamp:	LED (Red, Green, Yellow, White, Blue)
Connection:	Terminals 2,5 mm <sup>2</sup>
Operating cycle:	>10 <sup>5</sup> hours

# 3 WAY SELECTOR SWITCH I-0-II

Zones 1, 2, 21, 22

Full catalogue available on our website: [www.inpratex.com](http://www.inpratex.com)

## ATEX CONTROL STATIONS

ZONES 1, 2 (gas) & 21, 22 (dust)



Ex e 3 way Selector Switch made of glass fibre reinforced polyester for application in hazardous areas.

Can be supplied with M20 cable glands for armored or non-armored cable.



EU-Type Examination Certificate

### ITEM REFERENCES

Designation:	Item No.:	
	3 Way Selector Switch I-0-II (latching I+II) 1NO+1NC - M20 Plastic cable gland	3J0701
	3 Way Selector Switch I-0-II (latching I+II) 2NC - M20 Plastic cable gland	3J0702
	3 Way Selector Switch I-0-II (latching I+II) 2NO - M20 Plastic cable gland	3J0703
	3 Way Selector Switch I-0-II (latching I+II) 1NO+1NC - M20 Brass Cable Gland	3J0704
	3 Way Selector Switch I-0-II (latching I+II) 2NC - M20 Brass Cable Gland	3J0705
	3 Way Selector Switch I-0-II (latching I+II) 2NO - M20 Brass Cable Gland	3J0706
	3 Way Selector Switch I-0-II (latching I+II) 1NO+1NC - M20 Nickel-Plated Brass Cable Gland	3J0707
	3 Way Selector Switch I-0-II (latching I+II) 2NC - M20 Nickel-Plated Brass Cable Gland	3J0708
	3 Way Selector Switch I-0-II (latching I+II) 2NO - M20 Nickel-Plated Brass Cable Gland	3J0709

### TECHNICAL SPECIFICATIONS

Marking:	II 2G Ex ed IIC T6 Gb II 2D Ex tb IIIC T80°C
Certificate:	EU-Type Examination Certificate
Operating temperature:	-20°C to +40°C
Ingress protection:	IP65
Material:	Glass fibre reinforced polyester (GRP)
Cable entries:	1xM20x1,5

### INTERNAL CONTACT MODULE

Marking:	II 2G Ex de IIC Gb I M2 Ex de I Mb		
Certificate:	EU-Type Examination Certificate		
Operating temperature:	-55°C to +60°C		
Ingress protection:	IP20		
Nominal isolation voltage:	690 V		
Voltage range:			
400 V	400 V	110 V	24 V
Utilization categories:			
AC-12	AC-15	DC-13	DC-13
Current range:			
16 A	10 A	0,5 A	1 A

# EX E, GRP EMERGENCY STOP - ARMoured CABLE

Zones 1, 2, 21, 22

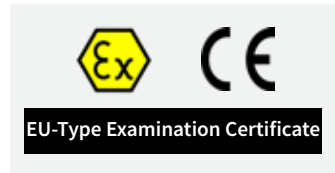
Full catalogue available on our website: [www.inpratex.com](http://www.inpratex.com)

## ATEX CONTROL STATIONS ZONES 1, 2 (gas) & 21, 22 (dust)



Ex e Emergency Stop mushroom button made of glass fibre reinforced polyester for application in hazardous areas.

Equipped with M20 brass or nickel-plated brass cable glands for installation with armoured cable.



ITEM REFERENCES		
Designation:		Item No.:
	Emergency Mushroom Button (e) 1NO+1NC - M20 Brass Cable Gland	3J0101
	Emergency Mushroom Button (e) 2NC - M20 Brass Cable Gland	3J0102
	Emergency Mushroom Button (e) 2NO - M20 Brass Cable Gland	3J0103
	Emergency Mushroom Button (e) 1NO+1NC - M20 Nickel-Plated Brass Cable Gland	3J0104
	Emergency Mushroom Button (e) 2NC - M20 Nickel-Plated Brass Cable Gland	3J0105
	Emergency Mushroom Button (e) 2NO - M20 Nickel-Plated Brass Cable Gland	3J0106

TECHNICAL SPECIFICATIONS	
Marking:	II 2G Ex ed IIC T6 Gb II 2D Ex tb IIIC T80°C
Certificate:	EU-Type Examination Certificate
Operating temperature:	-20°C to +40°C
Ingress protection:	IP65
Material:	Glass fibre reinforced polyester (GRP)
Cable entries:	1xM20x1,5 Brass or nickel-plated brass cable gland (14-20,5 mm)

INTERNAL CONTACT MODULE			
Marking:	II 2G Ex de IIC Gb I M2 Ex de I Mb		
Certificate:	EU-Type Examination Certificate		
Operating temperature:	-55°C to +60°C		
Ingress protection:	IP20		
Nominal isolation voltage:	690 V		
Voltage range:			
400 V	400 V	110 V	24 V
Utilization categories:			
AC-12	AC-15	DC-13	DC-13
Current range:			
16 A	10 A	0,5 A	1 A



# EMERGENCY STOP WITH PROTECTION HOOD - ARMoured CABLE

Zones 1, 2, 21, 22

Full catalogue available on our website: [www.inpratex.com](http://www.inpratex.com)

## ATEX CONTROL STATIONS

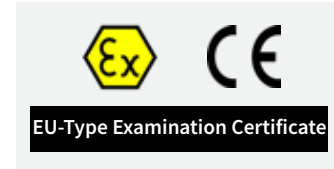
ZONES 1, 2 (gas) & 21, 22 (dust)




Ex e Emergency Stop mushroom button with protection hood made of glass fibre reinforced polyester for application in hazardous areas.

Equipped with M20 brass or nickel-plated brass cable glands for installation with armoured cable.

3,2x6mm metal protection in stainless steel SS316.





### ITEM REFERENCES



Designation:	Item No.:	
	Emergency Mushroom Button w/ Protection Hood 1NO+1NC - M20 Brass Cable Gland	3J0107
	Emergency Mushroom Button w/ Protection Hood 2NC - M20 Brass Cable Gland	3J0108
	Emergency Mushroom Button w/ Protection Hood 2NO - M20 Brass Cable Gland	3J0109
	Emergency Mushroom Button w/ Protection Hood 1NO+1NC - M20 Nickel-Plated Brass Cable Gland	3J0110
	Emergency Mushroom Button w/ Protection Hood 2NC - M20 Nickel-Plated Brass Cable Gland	3J0111
	Emergency Mushroom Button w/ Protection Hood 2NO - M20 Nickel-Plated Brass Cable Gland	3J0112

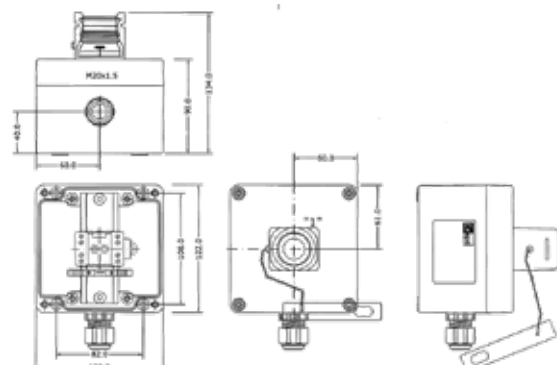
### INTERNAL CONTACT MODULE



Marking:	 II 2G Ex de IIC Gb  I M2 Ex de I Mb		
Certificate:	EU-Type Examination Certificate		
Operating temperature:	-55°C to +60°C		
Ingress protection:	IP20		
Nominal isolation voltage:	690 V		
Voltage range:			
400 V	400 V	110 V	24 V
Utilization categories:			
AC-12	AC-15	DC-13	DC-13
Current range:			
16 A	10 A	0,5 A	1 A

### TECHNICAL SPECIFICATIONS

Marking:	 II 2G Ex ed IIC T6 Gb  II 2D Ex tb IIIC T80°C
Certificate:	EU-Type Examination Certificate
Operating temperature:	-20°C to +40°C
Ingress protection:	IP65
Material:	Glass fibre reinforced polyester (GRP)
Cable entries:	1xM20x1,5 Brass or nickel-plated brass cable gland (14-20,5 mm)



# EX E, GRP EMERGENCY STOP - NON ARMoured CABLE

Zones 1, 2, 21, 22

Full catalogue available on our website: [www.inpratex.com](http://www.inpratex.com)

## ATEX CONTROL STATIONS

ZONES 1, 2 (gas) & 21, 22 (dust)




Ex e Emergency Stop mushroom button made of glass fibre reinforced polyester for application in hazardous areas.

Equipped with M20 polyamide cable glands for installation with unarmoured cable.





EU-Type Examination Certificate

### ITEM REFERENCES


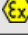
Designation:	Item No.:	
	Emergency Mushroom Button (e) 1NO+1NC - M20 Plastic cable gland	3J0201
	Emergency Mushroom Button (e) 2NC - M20 Plastic cable gland	3J0202
	Emergency Mushroom Button (e) 2NO - M20 Plastic cable gland	3J0203

### TECHNICAL SPECIFICATIONS

Marking:	 II 2G Ex ed IIC T6 Gb  II 2D Ex tb IIIC T80°C
Certificate:	EU-Type Examination Certificate
Operating temperature:	-20°C to +40°C
Ingress protection:	IP65
Material:	Glass fibre reinforced polyester (GRP)
Cable entries:	1xM20x1,5 Plastic cable gland (7 - 13 mm)

### INTERNAL CONTACT MODULE



Marking:	 II 2G Ex de IIC Gb  I M2 Ex de I Mb		
Certificate:	EU-Type Examination Certificate		
Operating temperature:	-55°C to +60°C		
Ingress protection:	IP20		
Nominal isolation voltage:	690 V		
Voltage range:			
400 V	400 V	110 V	24 V
Utilization categories:			
AC-12	AC-15	DC-13	DC-13
Current range:			
16 A	10 A	0,5 A	1 A

# EMERGENCY STOP WITH PROTECTION HOOD - NON ARMoured CABLE

Zones 1, 2, 21, 22

Full catalogue available on our website: [www.inpratex.com](http://www.inpratex.com)

## ATEX CONTROL STATIONS

ZONES 1, 2 (gas) & 21, 22 (dust)



Ex e Emergency Stop mushroom button with protection hood made of glass fibre reinforced polyester for application in hazardous areas.


Equipped with M20 brass or nickel-plated brass cable glands for installation with unarmoured cable.

3,2x6mm metal protection in stainless steel SS316.





EU-Type Examination Certificate

### ITEM REFERENCES



Designation:	Item No.:
 Emergency Mushroom Button w/ Protection Hood 1NO+1NC - M20 Plastic cable gland	3J0204
Emergency Mushroom Button w/ Protection Hood 2NC - M20 Plastic cable gland	3J0205
Emergency Mushroom Button w/ Protection Hood 2NO - M20 Plastic cable gland	3J0206

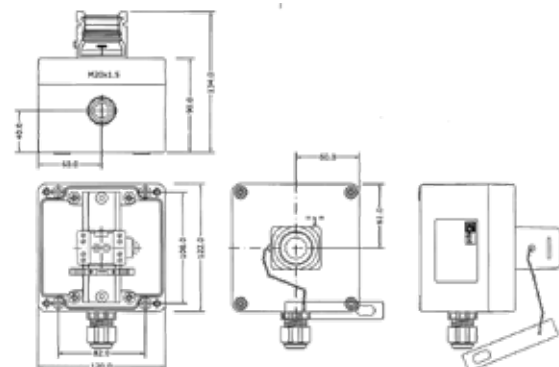
### INTERNAL CONTACT MODULE



Marking:	 II 2G Ex de IIC Gb  I M2 Ex de I Mb		
Certificate:	EU-Type Examination Certificate		
Operating temperature:	-55°C to +60°C		
Ingress protection:	IP20		
Nominal isolation voltage:	690 V		
Voltage range:			
400 V	400 V	110 V	24 V
Utilization categories:			
AC-12	AC-15	DC-13	DC-13
Current range:			
16 A	10 A	0,5 A	1 A

### TECHNICAL SPECIFICATIONS

Marking:	 II 2G Ex ed IIC T6 Gb  II 2D Ex tb IIIC T80°C
Certificate:	EU-Type Examination Certificate
Operating temperature:	-20°C to +40°C
Ingress protection:	IP65
Material:	Glass fibre reinforced polyester (GRP)
Cable entries:	1xM20x1,5 Plastic cable gland (7 - 13 mm)



# POTENTIOMETER

Zones 1, 2, 21, 22

Full catalogue available on our website: [www.inpratex.com](http://www.inpratex.com)

**ATEX CONTROL STATIONS**      **ZONES 1, 2 (gas) & 21, 22 (dust)**



Ex e Potentiometer made of glass fibre reinforced polyester for application in hazardous areas.

Can be supplied with M20 cable glands for armored or non-armored cable.



EU-Type Examination Certificate

ITEM REFERENCES			
Designation:			Item No.:
	Potentiometer 1 kOhm (scale 0...10)	M20 Plastic cable gland	3J0901
	Potentiometer 2,2 kOhm (scale 0...10)		3J0902
	Potentiometer 4,7 kOhm (scale 0...10)		3J0903
	Potentiometer 10 kOhm (scale 0...10)		3J0904
	Potentiometer 1 kOhm (scale 0...10)	M20 Brass Cable Gland	3J0905
	Potentiometer 2,2 kOhm (scale 0...10)		3J0906
	Potentiometer 4,7 kOhm (scale 0...10)		3J0907
	Potentiometer 10 kOhm (scale 0...10)		3J0908
	Potentiometer 1 kOhm (scale 0...10)	M20 Nickel-Plated Brass Cable Gland	3J0909
	Potentiometer 2,2 kOhm (scale 0...10)		3J0910
	Potentiometer 4,7 kOhm (scale 0...10)		3J0911
	Potentiometer 10 kOhm (scale 0...10)		3J0912

TECHNICAL SPECIFICATIONS	
Marking:	II 2G Ex ed IIC T6 Gb II 2D Ex tb IIIC T80°C
Certificate:	EU-Type Examination Certificate
Operating temperature:	-20°C to +40°C
Ingress protection:	IP65
Material:	Glass fibre reinforced polyester (GRP)
Cable entries:	1xM20x1,5

INTERNAL CONTACT MODULE			
Marking:	II 2G Ex de IIC I M2 Ex de I	Rotation:	mech. 285° -5° electr. about approx. 250°
Certificate:	EU-Type Examination Certificate	Rated output:	max. 1 W at T <sub>a</sub> < +40 °C
Operating temperature:	-55°C to +60°C	Resistor material:	carbon film on ceramics
Ingress protection:	IP20	Torque (beginning):	0.5 to 1.5 Ncm
Rated insulation voltage:	500 V	Torque (end stop):	≥ 100 Ncm
Max. rated voltage:	AC/DC 320 V	Enclosure material:	thermoplastic
Resistance:	1 kΩ to 10 kΩ	Connection:	Double terminals 2 x 2.5 mm <sup>2</sup>
Curve shape:	linear	Mechanical life:	25000 sinusoidal cycles
Resistance tolerance:	± 20 %	Weight:	approx. 71 g

# START-STOP CONTROL STATION - ARMoured CABLE

Zones 1, 2, 21, 22

Full catalogue available on our website: [www.inpratex.com](http://www.inpratex.com)

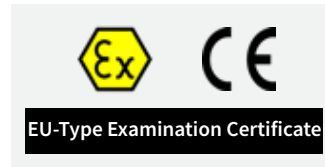
## ATEX CONTROL STATIONS

ZONES 1, 2 (gas) & 21, 22 (dust)



Start-Stop Control Station made of glass fibre reinforced polyester for application in hazardous areas.

Equipped with M20 brass or nickel-plated brass cable glands for installation with armoured cable.



### ITEM REFERENCES

Designation:	Item No.:
START 2NO (GREEN) - STOP 2NC (RED) Control Station - Brass Cable Gland	3J0308
START 2NO (GREEN) - STOP 2NC (RED) Control Station - Nickel Plated Brass Cable Gland	3J0309
START 1NO+1NC (GREEN) - STOP 1NO+1NC (RED) Control Station - Brass Cable Gland	3J0310
START 1NO+1NC (GREEN) - STOP 1NO+1NC (RED) Control Station - Nickel Plated Brass Cable Gland	3J0311

### TECHNICAL SPECIFICATIONS

Marking:	II 2G Ex ed IIC T6 Gb II 2D Ex tb IIIC T80°C
Certificate:	EU-Type Examination Certificate
Operating temperature:	-20°C to +40°C
Ingress protection:	IP65
Material:	Glass fibre reinforced polyester (GRP)
Cable entries:	1xM20x1,5 Brass or nickel-plated brass cable gland (14-20,5 mm)

### INTERNAL CONTACT MODULE



Marking:	II 2G Ex de IIC Gb I M2 Ex de I Mb		
Certificate:	EU-Type Examination Certificate		
Operating temperature:	-55°C to +60°C		
Ingress protection:	IP20		
Nominal isolation voltage:	690 V		
Voltage range:			
400 V	400 V	110 V	24 V
Utilization categories:			
AC-12	AC-15	DC-13	DC-13
Current range:			
16 A	10 A	0,5 A	1 A



# START-STOP CONTROL STATION - NON ARMoured CABLE

Zones 1, 2, 21, 22

Full catalogue available on our website: [www.inpratex.com](http://www.inpratex.com)

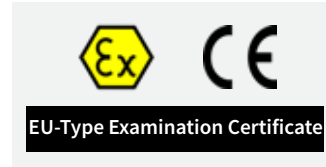
## ATEX CONTROL STATIONS

ZONES 1, 2 (gas) & 21, 22 (dust)



Start-Stop Control Station made of glass fibre reinforced polyester for application in hazardous areas.

Equipped with M20 polyamide cable glands for installation with unarmoured cable.



ITEM REFERENCES	
Designation:	Item No.:
START 2NO (GREEN) - STOP 2NC (RED) Control Station - Plastic Cable Gland	3J0306
START 1NO+1NC (GREEN) - STOP 1NO+1NC (RED) Control Station - Plastic Cable Gland	3J0307

TECHNICAL SPECIFICATIONS	
Marking:	II 2G Ex ed IIC T6 Gb II 2D Ex tb IIIC T80°C
Certificate:	EU-Type Examination Certificate
Operating temperature:	-20°C to +40°C
Ingress protection:	IP65
Material:	Glass fibre reinforced polyester (GRP)
Cable entries:	1xM20x1,5 Plastic cable gland (7 - 13 mm)

INTERNAL CONTACT MODULE			
Marking:	II 2G Ex de IIC Gb I M2 Ex de I Mb		
Certificate:	EU-Type Examination Certificate		
Operating temperature:	-55°C to +60°C		
Ingress protection:	IP20		
Nominal isolation voltage:	690 V		
Voltage range:			
400 V	400 V	110 V	24 V
Utilization categories:			
AC-12	AC-15	DC-13	DC-13
Current range:			
16 A	10 A	0,5 A	1 A

# START-EMERGENCY STOP CONTROL STATION

Zones 1, 2, 21, 22

Full catalogue available on our website: [www.inpratex.com](http://www.inpratex.com)

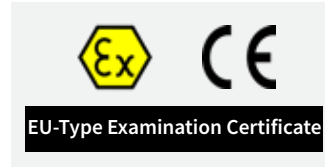
## ATEX CONTROL STATIONS

ZONES 1, 2 (gas) & 21, 22 (dust)



Start-Emergency Stop Control Station made of glass fibre reinforced polyester for application in hazardous areas.



Equipped with M20 polyamide cable glands for installation with unarmoured cable, or M20 brass or nickel-plated brass cable glands for installation with armoured cable.



### ITEM REFERENCES



Designation:	Item No.:
START 2NO (GREEN) - EMERGENCY STOP 2NC Control Station - Plastic Cable Gland	3J1201
START 2NO (GREEN) - EMERGENCY STOP 2NC Control Station - Brass Cable Gland	3J1202
START 2NO (GREEN) - EMERGENCY STOP 2NC Control Station - Nickel Plated Brass Cable Gland	3J1203

### TECHNICAL SPECIFICATIONS

Marking:	 II 2G Ex ed IIC T6 Gb  II 2D Ex tb IIIC T80°C
Certificate:	EU-Type Examination Certificate
Operating temperature:	-20°C to +40°C
Ingress protection:	IP65
Material:	Glass fibre reinforced polyester (GRP)
Cable entries:	1xM20x1,5

### INTERNAL CONTACT MODULE



Marking:	 II 2G Ex de IIC Gb  I M2 Ex de I Mb		
Certificate:	EU-Type Examination Certificate		
Operating temperature:	-55°C to +60°C		
Ingress protection:	IP20		
Nominal isolation voltage:	690 V		
Voltage range:			
400 V	400 V	110 V	24 V
Utilization categories:			
AC-12	AC-15	DC-13	DC-13
Current range:			
16 A	10 A	0,5 A	1 A

# 2 SELECTOR SWITCH CONTROL STATION

Zones 1, 2, 21, 22

Full catalogue available on our website: [www.inpratex.com](http://www.inpratex.com)

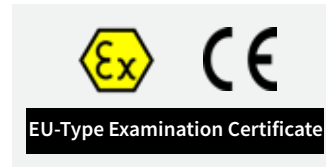
## ATEX CONTROL STATIONS

ZONES 1, 2 (gas) & 21, 22 (dust)



Control stations equipped with 2 0-I selector switches for hazardous areas, made of glass-fibre reinforced polyester for use in explosive atmospheres.

Fitted with M20 brass or nickel-plated brass cable glands for armoured cable or polyamide cable glands for installation with non-armoured cable.



### ITEM REFERENCES

Designation:	Item No.:
2 Selector Switch Control Station - Brass Cable Gland	3J1101
2 Selector Switch Control Station - Nickel Plated Brass Cable Gland	3J1102
2 Selector Switch Control Station - Plastic Cable Gland	3J1103

### TECHNICAL SPECIFICATIONS

Marking:	II 2G Ex ed IIC T6 Gb II 2D Ex tb IIIC T80°C
Certificate:	EU-Type Examination Certificate
Operating temperature:	-20°C to +40°C
Ingress protection:	IP65
Material:	Glass fibre reinforced polyester (GRP)
Cable entries:	1xM20x1,5

### INTERNAL CONTACT MODULE



Marking:	II 2G Ex de IIC Gb I M2 Ex de I Mb		
Certificate:	EU-Type Examination Certificate		
Operating temperature:	-55°C to +60°C		
Ingress protection:	IP20		
Nominal isolation voltage:	690 V		
Voltage range:			
400 V	400 V	110 V	24 V
Utilization categories:			
AC-12	AC-15	DC-13	DC-13
Current range:			
16 A	10 A	0,5 A	1 A

# COMPACT S-S-E CONTROL STATION - ARMoured CABLE

Zones 1, 2, 21, 22

Full catalogue available on our website: [www.inpratex.com](http://www.inpratex.com)

**ATEX CONTROL STATIONS**

**ZONES 1, 2 (gas) & 21, 22 (dust)**



Compact Start-Stop-Emergency Control Station made of glass fibre reinforced polyester for application in hazardous areas.

Equipped with M20 brass or nickel-plated brass cable glands for installation with armoured cable.



EU-Type Examination Certificate

## ITEM REFERENCES

Designation:	Item No.:
START-STOP (GREEN-RED) 1NO+1NC - EMERGENCY STOP 2NC Control Station - Brass Cable Gland	3J0304
START-STOP (GREEN-RED) 1NO+1NC - EMERGENCY STOP 2NC Control Station - Nickel Plated Brass Cable Gland	3J0305

## TECHNICAL SPECIFICATIONS

Marking:	II 2G Ex ed IIC T6 Gb II 2D Ex tb IIIC T80°C
Certificate:	EU-Type Examination Certificate
Operating temperature:	-20°C to +40°C
Ingress protection:	IP65
Material:	Glass fibre reinforced polyester (GRP)
Cable entries:	1xM20x1,5 Brass or nickel-plated brass cable gland (14-20,5 mm)

## INTERNAL CONTACT MODULE

Marking:	II 2G Ex de IIC Gb I M2 Ex de I Mb		
Certificate:	EU-Type Examination Certificate		
Operating temperature:	-55°C to +60°C		
Ingress protection:	IP20		
Nominal isolation voltage:	690 V		
Voltage range:			
400 V	400 V	110 V	24 V
Utilization categories:			
AC-12	AC-15	DC-13	DC-13
Current range:			
16 A	10 A	0,5 A	1 A



# COMPACT S-S-E CONTROL STATION - NON ARMoured CABLE

Zones 1, 2, 21, 22

Full catalogue available on our website: [www.inpratex.com](http://www.inpratex.com)

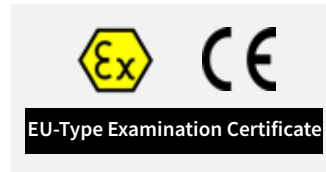
## ATEX CONTROL STATIONS

## ZONES 1, 2 (gas) & 21, 22 (dust)



Compact Start-Stop-Emergency Control Station made of glass fibre reinforced polyester for application in hazardous areas.

Equipped with M20 polyamide cable glands for installation with unarmoured cable.



ITEM REFERENCES	
Designation:	Item No.:
START-STOP (GREEN-RED) 1NO+1NC - EMERGENCY STOP 2NC Control Station - Plastic Cable Gland	3J0303

TECHNICAL SPECIFICATIONS	
Marking:	II 2G Ex ed IIC T6 Gb II 2D Ex tb IIIC T80°C
Certificate:	EU-Type Examination Certificate
Operating temperature:	-20°C to +40°C
Ingress protection:	IP65
Material:	Glass fibre reinforced polyester (GRP)
Cable entries:	1xM20x1,5 Plastic cable gland (7 - 13 mm)

INTERNAL CONTACT MODULE			
Marking:	II 2G Ex de IIC Gb I M2 Ex de I Mb		
Certificate:	EU-Type Examination Certificate		
Operating temperature:	-55°C to +60°C		
Ingress protection:	IP20		
Nominal isolation voltage:	690 V		
Voltage range:			
400 V	400 V	110 V	24 V
Utilization categories:			
AC-12	AC-15	DC-13	DC-13
Current range:			
16 A	10 A	0,5 A	1 A



# START-STOP-EMERGENCY CONTROL STATION - ARMoured CABLE

Zones 1, 2, 21, 22

Full catalogue available on our website: [www.inpratex.com](http://www.inpratex.com)

## ATEX CONTROL STATIONS

ZONES 1, 2 (gas) & 21, 22 (dust)



Start-Stop-Emergency Control Station made of glass fibre reinforced polyester for application in hazardous areas.

Equipped with M25 brass or nickel-plated brass cable glands for installation with armoured cable.



EU-Type Examination Certificate

### ITEM REFERENCES

Designation:	Item No.:
START 2NO (GREEN) - STOP 2NC (RED) - EMERGENCY STOP 2NC Control Station - Brass Cable Gland	3J0401
START 2NO (GREEN) - STOP 2NC (RED) - EMERGENCY STOP 2NC Control Station - Nickel Plated Brass Cable Gland	3J0402
START 1NO+1NC (GREEN) - STOP 1NO+1NC (RED) - EMERGENCY STOP 2NC Control Station - Brass Cable Gland	3J0403
START 1NO+1NC (GREEN) - STOP 1NO+1NC (RED) - EMERGENCY STOP 2NC Control Station - Nickel Plated Brass Cable Gland	3J0404

### TECHNICAL SPECIFICATIONS

Marking:	II 2G Ex ed IIC T6 Gb II 2D Ex tb IIIC T80°C
Certificate:	EU-Type Examination Certificate
Operating temperature:	-20°C to +40°C
Ingress protection:	IP65
Material:	Glass fibre reinforced polyester (GRP)
Cable entries:	1xM25x1,5 Brass or nickel-plated brass cable gland (14-20,5 mm)

### INTERNAL CONTACT MODULE



Marking:	II 2G Ex de IIC Gb I M2 Ex de I Mb		
Certificate:	EU-Type Examination Certificate		
Operating temperature:	-55°C to +60°C		
Ingress protection:	IP20		
Nominal isolation voltage:	690 V		
Voltage range:			
400 V	400 V	110 V	24 V
Utilization categories:			
AC-12	AC-15	DC-13	DC-13
Current range:			
16 A	10 A	0,5 A	1 A



# START-STOP-EMERGENCY CONTROL STATION - NON ARMoured CABLE

Zones 1, 2, 21, 22

Full catalogue available on our website: [www.inpratex.com](http://www.inpratex.com)

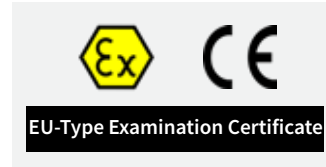
## ATEX CONTROL STATIONS

ZONES 1, 2 (gas) & 21, 22 (dust)



Start-Stop-Emergency Control Station made of glass fibre reinforced polyester for application in hazardous areas.

Equipped with M25 polyamide cable glands for installation with unarmoured cable.



### ITEM REFERENCES

Designation:	Item No.:
START 2NO (GREEN) - STOP 2NC (RED) - EMERGENCY STOP 2NC Control Station - Plastic Cable Gland	3J0301
START 1NO+1NC (GREEN) - STOP 1NO+1NC (RED) - EMERGENCY STOP 2NC Control Station - Plastic Cable Gland	3J0302

### TECHNICAL SPECIFICATIONS

Marking:	II 2G Ex ed IIC T6 Gb II 2D Ex tb IIIC T80°C
Certificate:	EU-Type Examination Certificate
Operating temperature:	-20°C to +40°C
Ingress protection:	IP65
Material:	Glass fibre reinforced polyester (GRP)
Cable entries:	1xM25x1,5 Plastic cable gland (10 - 17 mm)

### INTERNAL CONTACT MODULE



Marking:	II 2G Ex de IIC Gb I M2 Ex de I Mb		
Certificate:	EU-Type Examination Certificate		
Operating temperature:	-55°C to +60°C		
Ingress protection:	IP20		
Nominal isolation voltage:	690 V		
Voltage range:			
400 V	400 V	110 V	24 V
Utilization categories:			
AC-12	AC-15	DC-13	DC-13
Current range:			
16 A	10 A	0,5 A	1 A

# 3 INDICATOR LIGHTS CONTROL STATION

Zones 1, 2, 21, 22

Full catalogue available on our website: [www.inpratex.com](http://www.inpratex.com)

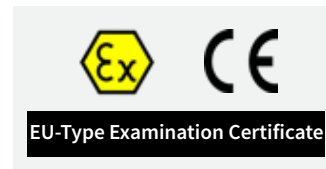
## ATEX CONTROL STATIONS

ZONES 1, 2 (gas) & 21, 22 (dust)



ATEX-certified control panels equipped with 3 pilot lights, made of glass-fibre reinforced polyester for use in explosive atmospheres.

Available colours: White (sw), Red (sr), Green (sg), Blue (sb), Yellow (sy)



### ITEM REFERENCES

Designation:	Item No.:
3 Indicator Lights Control Station - M25 Brass Cable Gland (13,2 - 20,5 mm)	3J0610
3 Indicator Lights Control Station - M25 Nickel Plated Brass Cable Gland (13,2 - 20,5 mm)	3J0611
3 Indicator Lights Control Station - M25 Plastic Cable Gland (10 - 17 mm)	3J0612

### TECHNICAL SPECIFICATIONS

Marking:	II 2G Ex ed IIC T6 Gb II 2D Ex tb IIIC T80°C
Certificate:	EU-Type Examination Certificate
Operating temperature:	-20°C to +40°C
Ingress protection:	IP65
Material:	Glass fibre reinforced polyester (GRP)
Cable entries:	1xM25x1,5

### INTERNAL MODULE FOR INDICATOR LIGHTS

Marking:	II 2G Ex de IIC Gb I M2 Ex de I Mb
Certificate:	EU-Type Examination Certificate
Operating temperature:	-55 °C to +50 °C / +60 °C (AC/DC 12V to 24V)
Ingress protection:	IP20
Nominal isolation voltage:	300 V
Voltage range:	AC 12 V to 250 V ( $T_a \leq +50^\circ\text{C}$ ) DC 12 V to 60 V ( $T_a \leq +50^\circ\text{C}$ ) AC/DC 12 V to 24 V ( $T_a \leq +60^\circ\text{C}$ )
Power:	< 1 W
Lamp:	LED (Red, Green, Yellow, White, Blue)
Connection:	Terminals 2,5 mm <sup>2</sup>
Operating cycle:	>10 <sup>5</sup> hours

# AMMETER-START-EMERGENCY STOP CONTROL STATION

Zones 1, 2, 21, 22

Full catalogue available on our website: [www.inpratex.com](http://www.inpratex.com)

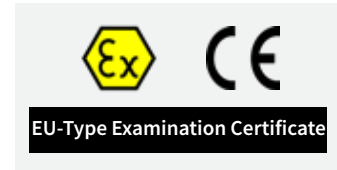
## ATEX CONTROL STATIONS

## ZONES 1, 2 (gas) & 21, 22 (dust)



ATEX certified Control Panel equipped with an Ammeter, a Start pushbutton and an Emergency Mushroom.

With brass or nickel-plated brass M25 cable gland for installation with armoured cable or polyamide M25 cable gland for unarmoured cable.



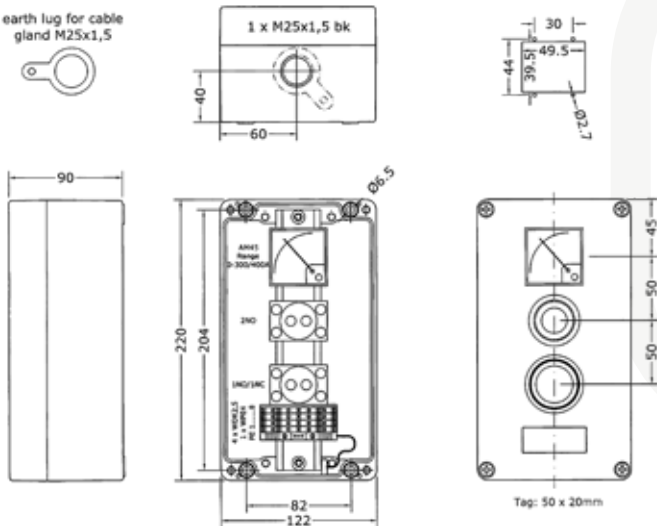
### ITEM REFERENCES

Designation:	Item No.:
AMMETER - START 2NO - EMERGENCY STOP 2NC Control Station - Brass Cable Gland	3J0501
AMMETER - START 2NO - EMERGENCY STOP 2NC Control Station - Nickel-plated Brass Cable Gland	3J0502
AMMETER - START 2NO - EMERGENCY STOP 2NC Control Station - Plastic Cable Gland	3J0503

### TECHNICAL SPECIFICATIONS

Marking:	II 2G Ex ed IIC T6 Gb II 2D Ex tb IIIC T80°C
Certificate:	EU-Type Examination Certificate
Dimensions:	220x122x90 mm
Material:	Glass fibre reinforced polyester (GRP)
Ingress protection:	IP65
Operating temperature:	-20°C to +40°C
Ammeter:	Range 0-300A / Full scale 450A / Current transformet 300/1A
Terminals:	8 x 2,5 mm <sup>2</sup> (1-8) + 1 x PE
Cable entries:	1xM25x1,5 Armoured Cable (14-20,5 mm)   Non-Armoured Cable (10 - 17 mm)

earth lug for cable gland M25x1,5



# PENDANT STATIONS

Zones 1, 2, 21, 22

Full catalogue available on our website: [www.inpratex.com](http://www.inpratex.com)

## ATEX CONTROL STATIONS

ZONES 1, 2 (gas) & 21, 22 (dust)



The ATEX XAWP pendant control stations are suitable for all types of industry and primarily used on cranes.

The XAWP range is available with 2, 4, 6 or 8 pushbuttons with up to three contact blocks per operator. Custom double XAWP assemblies can be delivered to provide 12 or 16 way pendant control stations. The XAWP also features an optional double-step actuation mode for dual speed control.



4





CONTROL & CONNECTION EQUIPMENT

### ITEM REFERENCES

Designation:	Item No.:
2-element pendant station	XAWP029
4-element pendant station	XAWP049
6-element pendant station	XAWP069
8-element pendant station	XAWP089
12-element pendant station	XAWP069D
16-element pendant station	XAWP089D

### TECHNICAL SPECIFICATIONS

Marking:	 II 2G Ex db eb IIC T6 Gb o Ex db eb mb IIC T6 Gb  II 2D Ex tb IIIC T85°C Db - IP65			
Certificate:	EU-Type Examination Certificate			
Operating temperature:	-20°C to +60°C			
Ingress protection:	IP65 according to EN/IEC 60529			
Material:	Glass fibre reinforced polyester (GRP)			
Features of the contact block:	Ith = 10 A; Ui = 415 V			
	<table border="1"> <tr> <td>AC</td> <td>Ue = 380 V; Ie = 1,9 A or Ue = 240 V; Ie = 3 A or Ue = 120 V; Ie = 6 A</td> </tr> <tr> <td>DC</td> <td>Ue = 250 V; Ie = 0,27 A or Ue = 125 V; Ie = 0,55 A or Ue = 24 V; Ie = 2,87 A</td> </tr> </table>	AC	Ue = 380 V; Ie = 1,9 A or Ue = 240 V; Ie = 3 A or Ue = 120 V; Ie = 6 A	DC
AC	Ue = 380 V; Ie = 1,9 A or Ue = 240 V; Ie = 3 A or Ue = 120 V; Ie = 6 A			
DC	Ue = 250 V; Ie = 0,27 A or Ue = 125 V; Ie = 0,55 A or Ue = 24 V; Ie = 2,87 A			
Features of the LED pilot light:	Rated voltage: 24...254 V AC/DC Maximal current: 2...10 mA			
Mechanical endurance:	Head: 5 million operations - Contact block: 1 million operations			
Cable entries:	For cable Ø 10 to Ø 22 mm			





# PENDANT STATIONS

Zones 1, 2, 21, 22

Full catalogue available on our website: [www.inpratex.com](http://www.inpratex.com)

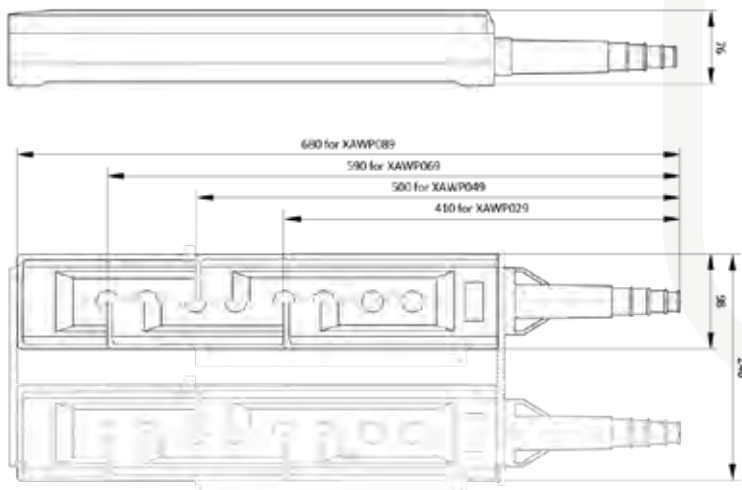
## OPERATORS

Pushbuttons	White	XAWP9411
	Black	XAWP9412
	Green	XAWP9413
	Red	XAWP9414
	Pilot lights	White
 (24V ... 254V AC-DC)	Green	XLW5AV033-XAWP
	Red	XLW5AV043-XAWP
	Yellow	XLW5AV053-XAWP
	Blue	XLW5AV063-XAWP
	Selector switch + contact	2 fixed positions - Black
	3 fixed positions - Black	XBW5AD33
Emergency Mushroom head (Ø 40)	Red	XBW5AS844-XAWP
Emergency Mushroom head (Ø 30)	Red	XBW5AS834-XAWP

## ARROW FOR DOUBLE STEP PUSHBUTTON

## ARROW FOR SINGLE STEP PUSHBUTTON

Type:	Item No.:	Type:	Item No.:
UP	ZBWY4953	UP	ZBWY4951
DOWN	ZBWY2956	DOWN	ZBWY2954
RIGHT	ZBWY4903	RIGHT	ZBWY4901
LEFT	ZBWY2906	LEFT	ZBWY2904
FORWARD	ZBWY4965	FORWARD	ZBWY4963
REVERSE	ZBWY2968	REVERSE	ZBWY2966
		FAST UP	ZBWY4952
		FAST DOWN	ZBWY2955
		FAST RIGHT	ZBWY4902
		FAST LEFT	ZBWY2905
		FAST FORWARD	ZBWY4964
		FAST REVERSE	ZBWY2967
		I	ZBWY4980
		O	ZBWY2931
		O - I	ZBWY2178
		I - II	ZBWY2179
		I - O - II	ZBWY2186
		EMERGENCY STOP	ZBWY2330



# 6-ELEMENT PENDANT STATIONS

Zones 1, 2, 21, 22

Full catalogue available on our website: [www.inpratex.com](http://www.inpratex.com)

## ATEX CONTROL STATIONS

ZONES 1, 2 (gas) & 21, 22 (dust)



The ATEX XAWP pendant control stations are suitable for all types of industry and primarily used on cranes.

### Configuration:

1 white/black booted pushbutton, (with or without inter-lockable mechanism)  
2 speeds, 2 NO contact per function, "Up" and "Down" twin arrows.

1 white/black booted pushbutton, (with or without inter-lockable mechanism)  
2 speeds, 2 NO contact per function, "Left" and "Right" twin arrows.

1 Plug

1 emergency stop Ø40 mushroom turn to release, 1 NC contact, "Emergency Stop"



EU-Type Examination Certificate

4



CONTROL & CONNECTION EQUIPMENT

### ITEM REFERENCES

Designation:	Use:	Zones:	Item No.:
6-element pendant station with interlock	Indoor	1,2,22	3J1007
6-element pendant station without interlock	Indoor/Outdoor	1,2,21,22	3J1008

### TECHNICAL SPECIFICATIONS

	With interlock:	Without interlock:
Marking:	II 2G Ex db eb IIC T6 Gb II 3D Ex tc IIIB T85°C Dc IP65	II 2G Ex db eb IIC T6 Gb II 2D Ex tb IIIC T85°C Db IP65
Certificate:	EU-Type Examination Certificate	
Operating temperature:	-20°C to +60°C	
Ingress protection:	IP65 according to EN/IEC 60529	
Material:	Glass fibre reinforced polyester (GRP)	
Dimensions:	590x98x76 mm	
Features of the contact block:	I <sub>th</sub> = 10 A; U <sub>i</sub> = 415 V	
	AC	U <sub>e</sub> = 380 V; I <sub>e</sub> = 1,9 A o U <sub>e</sub> = 240 V; I <sub>e</sub> = 3 A o U <sub>e</sub> = 120 V; I <sub>e</sub> = 6 A
	DC	U <sub>e</sub> = 250 V; I <sub>e</sub> = 0,27 A o U <sub>e</sub> = 125 V; I <sub>e</sub> = 0,55 A o U <sub>e</sub> = 24 V; I <sub>e</sub> = 2,87 A
Features of the LED pilot light:	Rated voltage: 24...254 V AC/DC Maximal current: 2...10 mA	
Mechanical endurance:	Head: 5 million operations - Contact block: 1 million operations	
Cable entries:	For cable Ø 10 to Ø 22 mm	

# 8-ELEMENT PENDANT STATIONS

Zones 1, 2, 21, 22

Full catalogue available on our website: [www.inpratex.com](http://www.inpratex.com)

4



CONTROL & CONNECTION EQUIPMENT

## ATEX CONTROL STATIONS

## ZONES 1, 2 (gas) & 21, 22 (dust)



The ATEX XAWP pendant control stations are suitable for all types of industry and primarily used on cranes.

### Configuration:

1 white/black booted pushbutton, (with or without inter-lockable mechanism)  
2 speeds, 2 NO contact per function, “Up” and “Down” twin arrows.

1 white/black booted pushbutton, (with or without inter-lockable mechanism)  
2 speeds, 2 NO contact per function, “Left” and “Right” twin arrows.

1 white/black booted pushbutton, (with or without inter-lockable mechanism)  
2 speeds, 2 NO contact per function, “Forward” and “Reverse” twin arrows.

1 Plug

1 emergency stop Ø40 mushroom turn to release, 1 NC contact, “Emergency Stop“



EU-Type Examination Certificate

### ITEM REFERENCES

Designation:	Use:	Zones:	Item No.:
8-element pendant station with interlock	Indoor	1,2,22	3J1005
8-element pendant station without interlock	Indoor/Outdoor	1,2,21,22	3J1006

### TECHNICAL SPECIFICATIONS

	With interlock:	Without interlock:
Marking:	II 2G Ex db eb IIC T6 Gb II 3D Ex tc IIIB T85°C Dc IP65	II 2G Ex db eb IIC T6 Gb II 2D Ex tb IIIC T85°C Db IP65
Certificate:	EU-Type Examination Certificate	
Operating temperature:	-20°C to +60°C	
Ingress protection:	IP65 according to EN/IEC 60529	
Material:	Glass fibre reinforced polyester (GRP)	
Dimensions:	680x98x76 mm	
Features of the contact block:	Ith = 10 A; Ui = 415 V	
	AC	Ue = 380 V; Ie = 1,9 A o Ue = 240 V; Ie = 3 A o Ue = 120 V; Ie = 6 A
	DC	Ue = 250 V; Ie = 0,27 A o Ue = 125 V; Ie = 0,55 A o Ue = 24 V; Ie = 2,87 A
Features of the LED pilot light:	Rated voltage: 24...254 V AC/DC Maximal current: 2...10 mA	
Mechanical endurance:	Head: 5 million operations - Contact block: 1 million operations	
Cable entries:	For cable Ø 10 to Ø 22 mm	

# 12-ELEMENT PENDANT STATIONS

Zones 1, 2, 21, 22

Full catalogue available on our website: [www.inpratex.com](http://www.inpratex.com)

## ATEX CONTROL STATIONS

ZONES 1, 2 (gas) & 21, 22 (dust)

The ATEX XAWP pendant control stations are suitable for all types of industry and primarily used on cranes.



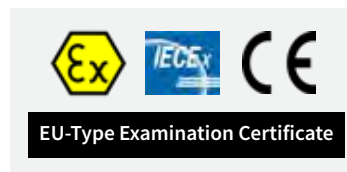
### Configuration example:

#### Left side:

1 emergency stop Ø40 mushroom turn to release, 1 NC contact, "Emergency Stop"  
 1 green booted pushbutton, 1 NO contact, "I"  
 1 white/black booted pushbutton, inter-lockable mechanism 1 speed, 1 NO contact per function, "Hoist slow up" and "Hoist slow down" twin arrows.  
 1 white/black booted pushbutton, inter-lockable mechanism 1 speed, 1 NO contact per function, "Hoist fast up" and "Hoist fast down" twin arrows.

#### Right side:

1 white/black booted pushbutton, inter-lockable mechanism 2 speeds, 2 NO contact per function, "CT Forward" and "CT Reverse" twin arrows.  
 1 white/black booted pushbutton, inter-lockable mechanism 2 speeds, 2 NO contact per function, "LT Left" and "LT Right" twin arrows.  
 1 white/black booted pushbutton, inter-lockable mechanism 2 speeds, 2 NO contact per function, "CRD forward" and "CRD reverse" twin arrows.



### ITEM REFERENCES

Designation:	Use:	Zones:	Item No.:
12-element pendant station with interlock	Indoor	1,2,22	3J1001
12-element pendant station without interlock	Indoor/Outdoor	1,2,21,22	3J1002

### TECHNICAL SPECIFICATIONS

	With interlock:	Without interlock:
Marking:	II 2G Ex db eb IIC T6 Gb II 3D Ex tc IIIB T85°C Dc IP65	II 2G Ex db eb IIC T6 Gb II 2D Ex tb IIIC T85°C Db IP65
Certificate:	EU-Type Examination Certificate	
Operating temperature:	-20°C to +60°C	
Ingress protection:	IP65 according to EN/IEC 60529	
Material:	Glass fibre reinforced polyester (GRP)	
Dimensions:	603x246x76 mm	
Features of the contact block:	I <sub>th</sub> = 10 A; U <sub>i</sub> = 415 V	
	AC	U <sub>e</sub> = 380 V; I <sub>e</sub> = 1,9 A o U <sub>e</sub> = 240 V; I <sub>e</sub> = 3 A o U <sub>e</sub> = 120 V; I <sub>e</sub> = 6 A
	DC	U <sub>e</sub> = 250 V; I <sub>e</sub> = 0,27 A o U <sub>e</sub> = 125 V; I <sub>e</sub> = 0,55 A o U <sub>e</sub> = 24 V; I <sub>e</sub> = 2,87 A
Features of the LED pilot light:	Rated voltage: 24...254 V AC/DC Maximal current: 2...10 mA	
Mechanical endurance:	Head: 5 million operations - Contact block: 1 million operations	
Cable entries:	For cable Ø 10 to Ø 22 mm	

# 16-ELEMENT PENDANT STATIONS

Zones 1, 2, 21, 22

Full catalogue available on our website: [www.inpratex.com](http://www.inpratex.com)

4



CONTROL & CONNECTION EQUIPMENT

## ATEX CONTROL STATIONS

## ZONES 1, 2 (gas) & 21, 22 (dust)

The ATEX XAWP pendant control stations are suitable for all types of industry and primarily used on cranes.



### Configuration example:

#### Left side:

- 1 emergency stop Ø40 mushroom turn to release, 1 NC contact, "Emergency Stop"
- 1 green bootied pushbutton, 1 NO contact, "I"
- 1 black/white double push button, 1 speed, 1 NO contact, "UP" slow/fast
- 1 black/white double push button, 1 speed, 1 NO contact, "DOWN" slow/fast
- 1 black/white double push button, 1 speed, 1 NO contact, "UP", "DOWN"

#### Right side:

- 1 black/white double push button, 1 speed, 1 NO contact, "LEFT" slow/fast
- 1 black/white double push button, 1 speed, 1 NO contact, "RIGHT" slow/fast
- 1 black/white double push button, 1 speed, 1 NO contact, "FORWARD" slow/fast
- 1 black/white double push button, 1 speed, 1 NO contact, "REVERSE" slow/fast



EU-Type Examination Certificate

### ITEM REFERENCES

Designation:	Use:	Zones:	Item No.:
16-element pendant station with interlock	Indoor	1,2,22	3J1003
16-element pendant station without interlock	Indoor/Outdoor	1,2,21,22	3J1004

### TECHNICAL SPECIFICATIONS

	With interlock:	Without interlock:
Marking:	II 2G Ex db eb IIC T6 Gb II 3D Ex tc IIIB T85°C Dc IP65	II 2G Ex db eb IIC T6 Gb II 2D Ex tb IIIC T85°C Db IP65
Certificate:	EU-Type Examination Certificate	
Operating temperature:	-20°C to +60°C	
Ingress protection:	IP65 according to EN/IEC 60529	
Material:	Glass fibre reinforced polyester (GRP)	
Dimensions:	680x250x80 mm	
Features of the contact block:	Ith = 10 A; Ui = 415 V	
	AC	Ue = 380 V; Ie = 1,9 A o Ue = 240 V; Ie = 3 A o Ue = 120 V; Ie = 6 A
	DC	Ue = 250 V; Ie = 0,27 A o Ue = 125 V; Ie = 0,55 A o Ue = 24 V; Ie = 2,87 A
Features of the LED pilot light:	Rated voltage: 24...254 V AC/DC Maximal current: 2...10 mA	
Mechanical endurance:	Head: 5 million operations - Contact block: 1 million operations	
Cable entries:	For cable Ø 10 to Ø 22 mm	



# EX-D LOCAL CONTROL STATIONS

Zones 1, 2, 21, 22

Full catalogue available on our website: [www.inpratex.com](http://www.inpratex.com)

## ATEX CONTROL STATIONS

ZONES 1, 2 (gas) & 21, 22 (dust)

Ex-d local control stations certified for application in hazardous area zones 1,2 and zones 21,22.

- Pushbuttons
- Pilot lights
- Mushroom type pushbuttons
- Switches

External screws in stainless steel.



EU-Type Examination Certificate



Fully configurable through a huge variety of elements.

### ITEM REFERENCES

Designation:	Cable entries:	A	B	C	Weight (g):
PB1 - 1 Element (IIC)	2x3/4" NPT	106	86	87	480
PB2 - 2 Elements (IIC)	2x3/4" NPT	156	136	87	685
PB3 - 3 Elements (IIB+ H <sub>2</sub> )	2x3/4" NPT	206	186	87	890
PB4 - 4 Elements (IIB+ H <sub>2</sub> )	2x1" NPT	256	236	82	1520

### TECHNICAL SPECIFICATIONS

Marking:	II 2G Ex d IIC o IIB+H <sub>2</sub> T6-T4 Gb II 2D Ex tb IIIC T85°C-T135°C Db
Certificate:	EU-Type Examination Certificate
Operating temperature:	-20°C to +40°C
Ingress protection:	IP66
Material:	Aluminium RAL 7000
Nominal current:	10 A
Nominal isolation voltage:	660 V
Nominal pulse voltage:	U <sub>imp</sub> =6 kV
Short circuit protection U <sub>e</sub> <500 VAC:	10 A
Terminals:	According to IEC/EN 60947-1
Max. wires section:	2x2,5 mm <sup>2</sup>
Working cycles:	1800 operations/hr (max)

### TEMPERATURES

Command/Signalling:	Temp. class:		Max. T. Range:
	Gas	Dust	
LED lamps	T6	T85°C	-50°C to +60°C
	T5	T100°C	-50°C to +80°C
Command units	T6	T85°C	-50°C to +80°C

### AC15 - A600

Voltage:	24 V	240 V	400 V
Current:	10 A	6 A	4 A

### DC13 - Q600

Voltage:	24 V	125 V	250 V
Current:	2,8 A	0,55 A	0,27 A

### MANIPULATORS

Voltage:	400 V AC
Current:	10 A

### SIGNALLING LAMPS

Voltage:	260 V AC
Lamp:	LED

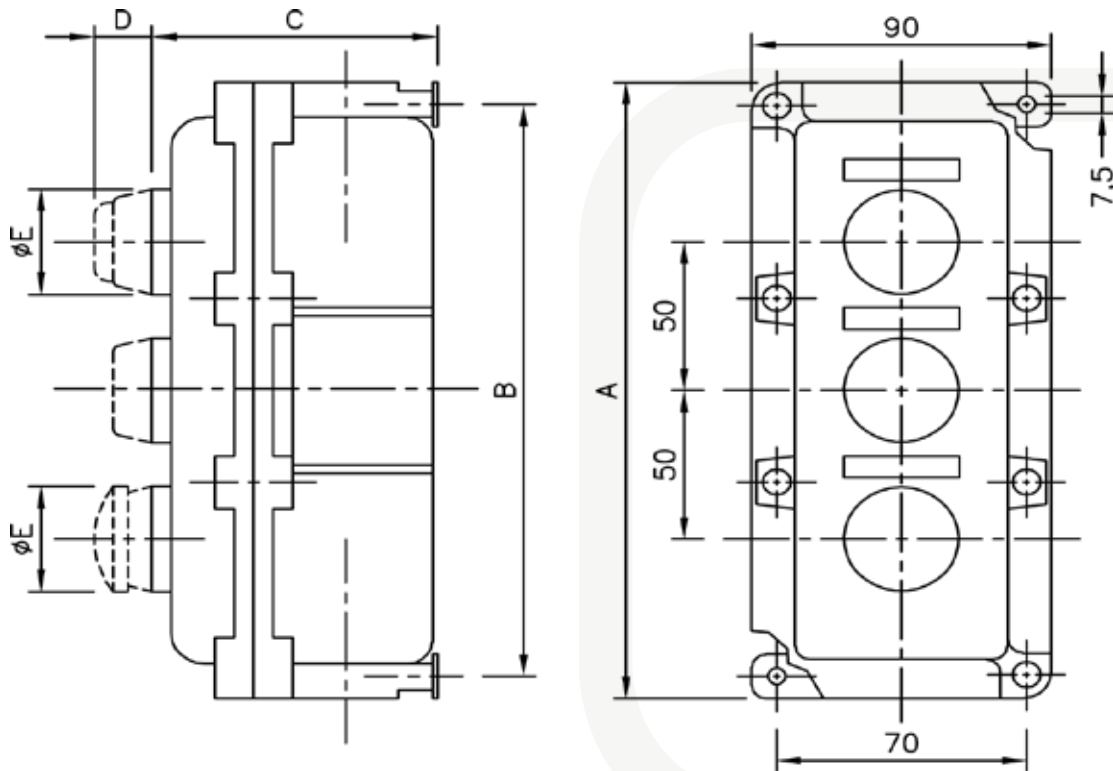
### ILLUMINATED PUSHBUTTONS

Max. voltage:	230 V AC/DC
Max. power:	2 W

# EX-D LOCAL CONTROL STATIONS

Zones 1, 2, 21, 22

Full catalogue available on our website: [www.inpratex.com](http://www.inpratex.com)



## ELEMENTS

Designation:	Dimensions (mm):		Contacts:	Weight (g):
	D	ØE		
START pushbutton	16	32	1NO	90
STOP pushbutton	16	32	1NC	90
Lighting START pushbutton	16	32	1NO	130
Lighting STOP pushbutton	16	32	1NC	130
Mushroom type pushbutton with spring return	30	50	1NO+1NC	100
Key switch 1-2 poles (pos. 0-1)	60	30	-	400
Two position key changeover switch 1-2 poles (pos. 1-2)	60	30	-	400
Three position key changeover switch 1-2 poles (pos. 1-0-2)	60	30	-	400
Triangular key switch 1-2 poles (pos. 0-1)	50	41	-	370
Two position triangular key changeover switch 1-2 poles (pos. 1-2)	50	41	-	370
Three position triangular key changeover switch 1-2 poles (pos. 1-0-2)	50	41	-	370
Mushroom type pushbutton with locking	30	50	1NO+1NC	100
Mushroom type pushbutton with rotary locking	58	33	1NO+1NC	180
Mushroom type pushbutton with locking and keylock	58	33	1NO+1NC	180
Pilot light	16	32	-	130
Switch 1-2 poles (pos. 0-1)	22	32	-	300
Two way changeover switch 1-2 poles (pos. 1-2)	22	32	-	300
Three way changeover switch 1-2 poles (pos. 1-0-2)	22	32	-	300

# EX-D EMERGENCY STOP

Zones 1, 2, 21, 22

Full catalogue available on our website: [www.inpratex.com](http://www.inpratex.com)

## ATEX CONTROL STATIONS

ZONES 1, 2 (gas) & 21, 22 (dust)



Explosion-proof emergency mushroom for use in hazardous areas. Ex d enclosure equipped with a rotary release mushroom-type button.

External screws in stainless steel.





EU-Type Examination Certificate



### ITEM REFERENCES

Designation:	Item No.:
Ex d PB1 Emergency Stop (2NC)	3K0101

### TECHNICAL SPECIFICATIONS

Marking:	 II 2G Ex d IIC T6 Gb  II 2D Ex tb IIIC T85°C Db
Certificate:	EU-Type Examination Certificate
Operating temperature:	-20°C to +40°C
Ingress protection:	IP66
Material:	Aluminium RAL 7000
Nominal current:	10 A
Nominal isolation voltage:	660 V
Nominal pulse voltage:	U <sub>imp</sub> =6 kV
Short circuit protection U <sub>e</sub> <500 VAC:	10 A
Terminals:	According to IEC/EN 60947-1
Max. wires section:	2x2,5 mm <sup>2</sup>
Working cycles:	1800 operations/hr (max)
Dimensions:	106 x 86 x 87 mm
Weight:	480 g approx.
Cable entries:	2x3/4" NPT (cable glands/plugs not included)

# PB 135 EX MANUAL PUSH BUTTON

Zones 1, 2, 21, 22

Full catalogue available on our website: [www.inpratex.com](http://www.inpratex.com)

## ATEX MANUAL CALL POINT

## ZONES 1, 2 (gas) & 21, 22 (dust)



This manual call point «push button» is certified for use in explosive atmosphere, zone 1 & 2 for gas and zone 21 & 22 for dust. It's dedicated for Oil & Gas, chemical, petrochemical, pharmacy industries, marine and Offshore applications.

It's designed for corrosive environments and hazardous area.

The apparatus is compatible with PLC, ESD, DCS systems via output 4-20mA.

There are two versions available: push button and push button with key to release.

Housing is moulded Glass-Reinforced Polyester (GRP), dyed in the mass and protected by a paint UV resistant.



EU-Type Examination Certificate

### PRODUCT CODE CONFIGURATOR

SWITCH	DUTY LABEL	TAG LABEL	RESET	LED INDICATOR	FEATURES	CABLE ENTRY	ENTRY POSITION	FINISH COLOUR
SINGLE = 1 x C/O	Y = YES	Y = YES	S = SELF RESET	L = RED & GREEN R = RED	F = LIFT FLAP R = RESISTOR	A = M20 B = M25	T = TOP	RD = RED YW = YELLOW BU = BLUE BL = BLACK OR = OTHER
	N = NO	N = NO	K = KEY RESET	G = GREEN N = NO LED	D = DIODE N = NO FEATURES	C = 1/2" NPT C = 3/4" NPT	B = BOTTOM	

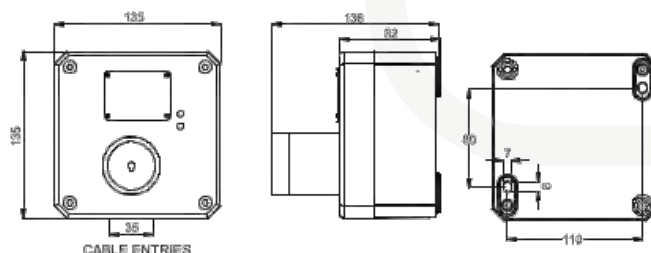
ADD THE CODES RELATED TO THE FEATURES REQUIRED TO PB 135:

--	--	--	--	--	--	--	--	--

### TECHNICAL SPECIFICATIONS

Marking:	II 2G Ex d IIC + H2 T6 Gb II 2D Ex tb IIIC T85°C
Certificate:	EU-Type Examination Certificate
Operating temperature:	T6: - 40°C to + 55°C   T5: - 40°C to + 60°C   T4: - 40°C to + 70°C
Ambient humidity*:	Until 95% with ice if flap option
Housing:	Glass fibre reinforced polyester (GRP)
Colour:	RED: RAL 3001   YELLOW*: RAL 1018   BLUE*: RAL 5005   BLACK*: RAL 9005
Rated impulse withstand voltage:	1kV following IEC 61000-4-5
Contact type:	1x C/O
Command type unit:	Self reset or key push pull
Conventional thermal current:	AC 125/250 V (50/60Hz) = 11 A***; 30V DC = 6A***; 125 VDC = 0,3A***; 250 V DC = 0,6A***
Minimum voltage and current:	DC 5V 10mA
Short circuit protection:	10 A gG
Connection:	From 22 to 14 AWG - from 0.50 mm <sup>2</sup> to 2.5 mm <sup>2</sup>
Weight:	2 kg
Line resistor**:	470 Ohms
Signalling LED**:	Green U= 24V DC I=10mA; Red U=24V DC I= 20mA
Cable entries:	2 x M20, M25**, 1/2" NPT**, 3/4" NPT** or other** (specify) (cable glands not included)

\* = without runoff - \*\* = optional - \*\*\* resistive load



# EMERGENCY PUSHBUTTON WITH BREAKING GLASS

Zones 1, 2, 21, 22

Full catalogue available on our website: [www.inpratex.com](http://www.inpratex.com)

**ATEX MANUAL CALL POINT**

**ZONES 1, 2 (gas) & 21, 22 (dust)**

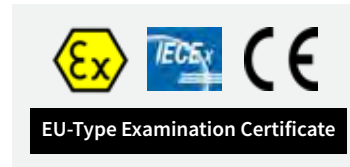
The Emergency Pushbutton with Breaking Glass is a vital component that helps quick evacuation during fire detection or any other emergency situation where the operation of access control systems need to be disabled. It can be used for open or closed circuits.



**Electric Execution Identification:**

**PB1 E0:** The breaking of the glass releases the button that automatically closes and / or opens a contact (1NO+1NC).

**PB1 E1:** The breaking of the glass releases the button that shall be pressed to open and / or close a contact (1NO+1NC).



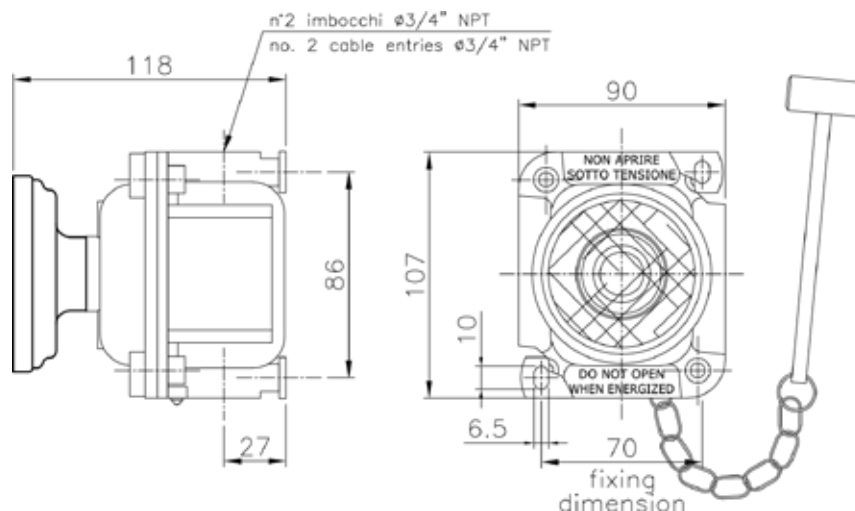
- External screws in Stainless Steel AISI 304 (On request AISI 316L).
- External accessories (hammer, chain, glass holder ring) in Stainless Steel.
- Extremely lightweight: 1050 g only.

## ITEM REFERENCES

Designation:	Pushbutton operating code open/close:	Item No.:
PB1 E0	E0: pushbutton in releasing	3K0201
PB1 E1	E1: pushbutton to press	3K0202

## TECHNICAL SPECIFICATIONS

Marking:	II 2G Ex d IIC T6÷T4 Gb II 2D Ex tb IIIC T85°C÷T135°C Db
Certificate:	EU-Type Examination Certificate
Housing:	Aluminum light alloy. External epoxy RAL 3000
Operating temperature:	-20°C to +40°C (T6/T85°C)   -20°C to +50°C (T5/T100°C)   -20°C to +65°C (T4/T135°C)
Operating conditions:	Indoor / Outdoor
Dimensions:	107x 90 x 118 mm
Weight:	Approx. 1 kg
Ingress protection:	IP66
Cable entries:	2x3/4" NPT (cable glands not included)





# EX MANUAL CALL POINT

Zones 1, 2, 21, 22

Full catalogue available on our website: [www.inpratex.com](http://www.inpratex.com)

4



CONTROL & CONNECTION EQUIPMENT

## ATEX MANUAL CALL POINT

## ZONES 1, 2 (gas) & 21, 22 (dust)



The Ex Manual Call Point is designed for manual fire alert purposes in potentially explosive areas. Its protection type allows for applications in all Ex areas of zones 1, 2, 21 and 22. Type B Manual Call Point according to EN 54-11.

Flexible, system-suited application thanks to different resistor modules.

Housing made of glass fibre-reinforced polyester. All metal parts made of stainless steel.



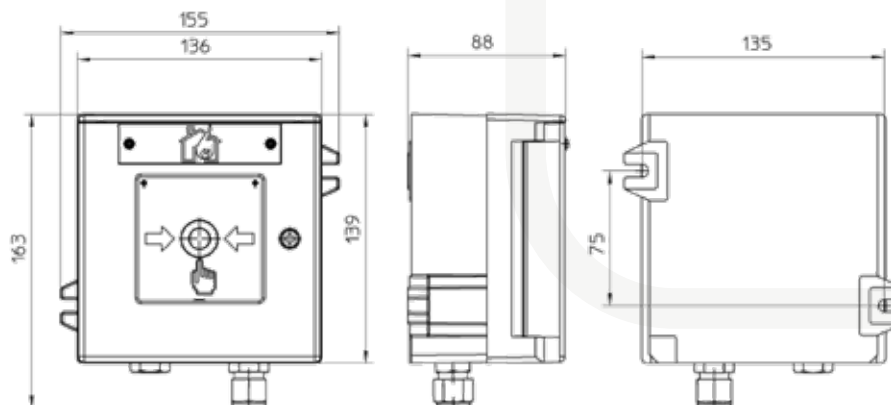
EU-Type Examination Certificate

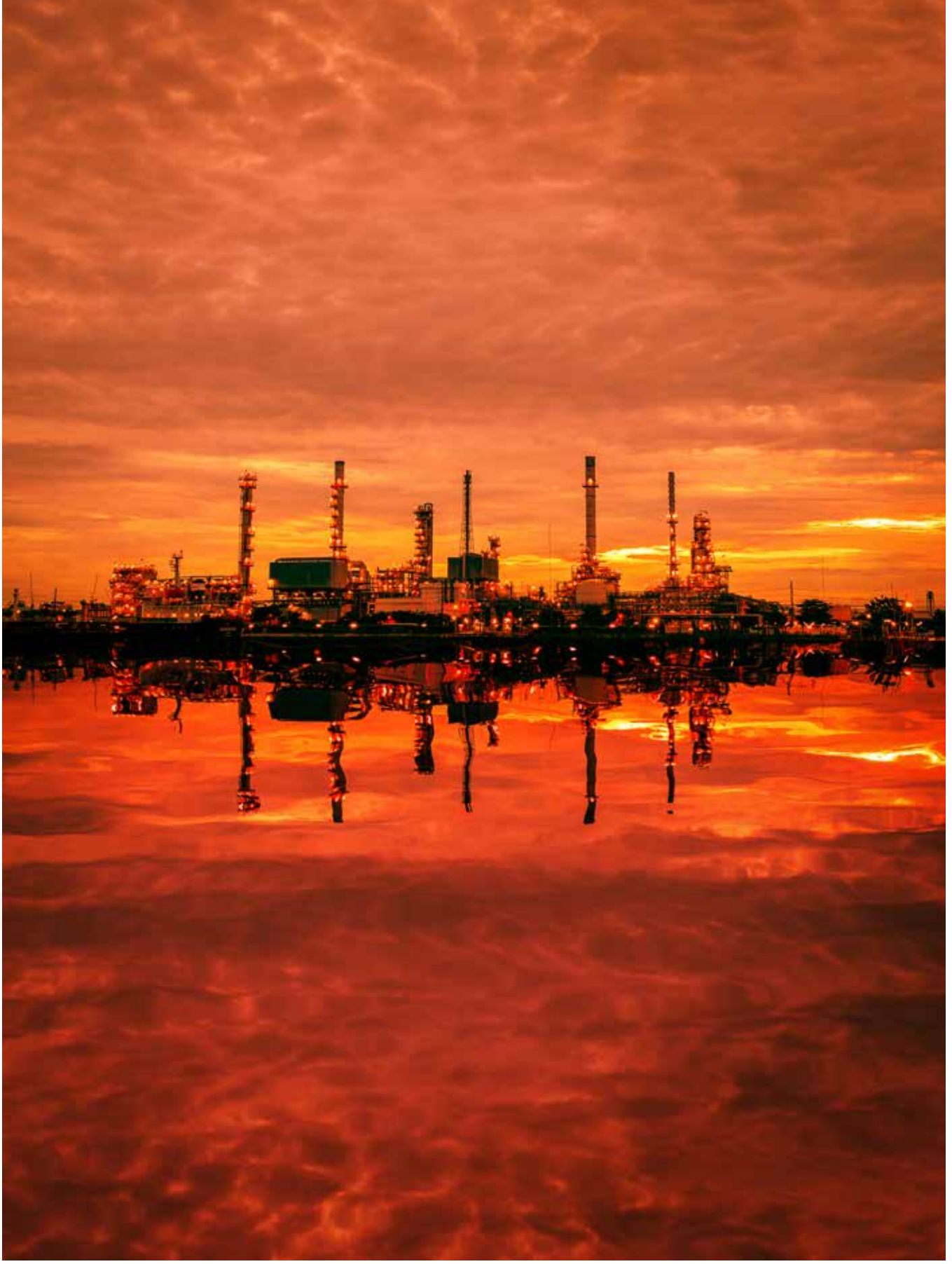
### ITEM REFERENCES

Designation:	Resistors:	Item No.:
Ex-Fire Switch	-	7F0101
Ex-Fire Switch	3,3 kΩ (RE) / 680 Ω (R)	7F0102
Ex-Fire Switch	3,9 kΩ (RE) / 820 Ω (R)	7F0103
Ex-Fire Switch	3,9 kΩ (RE) / 2,2 kΩ (R)	7F0104
Ex-Fire Switch	10 kΩ (RE) / 1 kΩ (R)	7F0105

### TECHNICAL SPECIFICATIONS

Marking:	II 2 G Ex de mb IIC/T6 Gb, T5 Gb II 2 D Ex tb IIIC T100°C Db IP66
Certificate:	EU-Type Examination Certificate
Housing:	Glass fibre reinforced polyester   Colour: Red RAL 3000
Surface resistance:	Electrostatically conductive
Operating temperature:	-55°C to +65°C (T6)   -55°C to +70°C (T5)
Switching contact:	Changeover contact
Contact rating:	Max. 5 A/250 VAC   0.25 A/250 VDC
Connection terminals:	Up to 4 mm <sup>2</sup> single or fine-wire
Dimensions:	Approx. 136 x 138 x 88 mm
Weight:	Approx. 1,8 kg
Ingress protection:	IP 66 according to IEC 60529
Operating position:	Wall mounting
Cable entries:	1x M20x1.5 plastic cable gland   1x M20x1.5 plastic blind plug









4.6

# PLUG & SOCKETS

# EX PLUGS & SOCKETS

Zones 1, 2, 21, 22

Full catalogue available on our website: [www.inpratex.com](http://www.inpratex.com)

## ATEX PLUGS & SOCKETS

ZONES 1, 2 (gas) & 21, 22 (dust)



ATEX plugs and socket-outlets with integrated switch, designed for hazardous areas. With 'de' protection mode, they comply with the ATEX 2014/34/EU Directive.

They can be used in zones 1 & 2 (Gas) and zones 21 & 22 (Dust). They are certified according to IECEx standards



EU-Type Examination Certificate

Robust and compact design.  
High performance GRP casing.

### ITEM REFERENCES

Rated current:	Rated voltage:	Poles:	Wall mounting socket:	Plugs:	Socket-outlet:
20A	20/24V	2P	6C0101	6C0201	6C0301
20A	220/250V	1P+N+T	6C0102	6C0202	6C0302
20A	380/440V	3P+T	6C0103	6C0203	6C0303
20A	380/440V	3P+T+N	6C0104	6C0204	6C0304
32A	220/250V	1P+N+T	6C0105	6C0205	6C0305
32A	380/440V	3P+T	6C0106	6C0206	6C0306
32A	380/440V	3P+T+N	6C0107	6C0207	6C0307
63A	380/440V	3P+T	6C0108	6C0208	6C0308
63A	380/440V	3P+T+N	6C0109	6C0209	6C0309
63A	480/500V	3P+T	6C0110	6C0210	6C0310
63A	480/500V	3P+T+N	6C0111	6C0211	6C0311

### TECHNICAL SPECIFICATIONS

	20A	32A	63A
Marking:	II 2G Ex de IIC T*Gb II 2D Ex tb IIIC T*Db * -40°C ≤ Ta ≤ +60°C T5 T90°C -40°C ≤ Ta ≤ +40°C T6 T70°C  EU-Type Examination Certificate	II 2G Ex de IIC T*Gb II 2D Ex tb IIIC T*Db * -40°C ≤ Ta ≤ +60°C T5 T77°C -40°C ≤ Ta ≤ +40°C T6 T57°C  EU-Type Examination Certificate	II 2G Ex de IIC T*Gb II 2D Ex tb IIIC T*Db * -40°C ≤ Ta ≤ +60°C T4 T107°C -40°C ≤ Ta ≤ +40°C T5 T87°C  EU-Type Examination Certificate
Operating conditions:	Indoor / Outdoor		
Housing:	GRP		
Ingress protection:	IP66/67		
Shock resistance:	IK08		
	Sockets	Plugs	
Cable entries:	20A -> 1xM20x1,5 (7 - 14 mm)* 32A -> 1xM25x1,5 (10 - 18 mm)* 63A -> 1xM32x1,5 (17 - 24 mm)*	20A -> 1xM20x1,5 (7 - 14 mm)* 32A -> 1xM25x1,5 (10 - 18 mm)* 63A -> 1xM40x1,5 (17 - 31 mm)*	*unarmoured cable

# ALUMINIUM PLUGS & SOCKETS

Zones 1, 2, 21, 22

Full catalogue available on our website: [www.inpratex.com](http://www.inpratex.com)

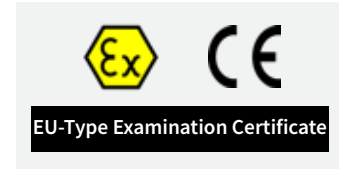
## ATEX PLUGS & SOCKETS

ZONES 1, 2 (gas) & 21, 22 (dust)



ATEX certified plugs and socket-outlets, designed for hazardous areas.

The socket is complete with interlocked switch which can only be activated when the plug is inserted and viceversa.



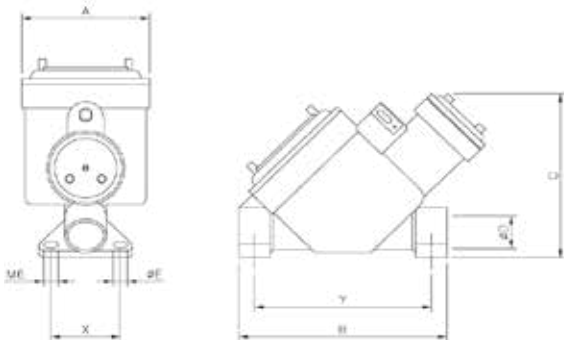
### TECHNICAL SPECIFICATIONS

Marking:	II 2G Ex d IIC T6 Gb II 2D Ex tb IIIC T80°C Db IP66
Certificate:	EU-Type Examination Certificate
Housing:	Aluminium
Operating conditions:	Indoor / Outdoor
Ingress protection:	IP66
Operating temperature:	-20°C to +40°C

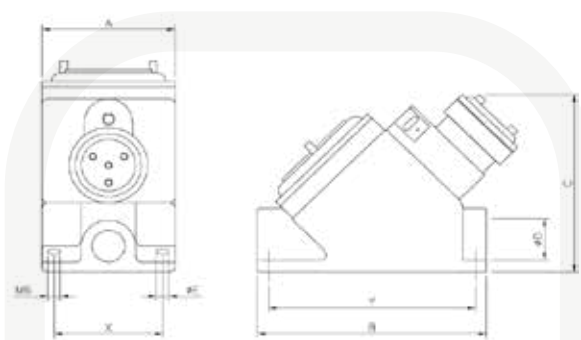
### ITEM REFERENCES - SOCKETS

Designation:	Current:	Voltage:	Poles:	2 Cable Entries:	Dimensions (mm)							Item No.:
					A	B	C	ØD	ØE	X	Y	
FSQ 215	25 A	500 V	2P+T	1" NPT	110	180	145	1"	7	60	160	6G0101
FSQ 325	32 A	500 V	3P+T	1" NPT	110	180	145	1"	7	60	160	6G0201
FSQ 425	32 A	500 V	4P+T	1" NPT	110	180	145	1"	7	60	160	6G0301
FSQ 360	63 A	500 V	3P+T	1.1/2" NPT	155	246	190	1.1/2"	11	160	222	6G0401
FSQ 460	63 A	500 V	4P+T	1.1/2" NPT	155	246	190	1.1/2"	11	160	222	6G0501

#### FSQ 215 - 325 - 425



#### FSQ 360 - 460 / FSQA ...



### ITEM REFERENCES - PLUGS

Designation:	Current:	Voltage:	Poles:	1 Cable Entry ØA:	Item No.:
BP 215	25 A	500 V	2P+T	3/4" NPT	6G0102
BP 325	32 A	500 V	3P+T	3/4" NPT	6G0202
BP 425	32 A	500 V	4P+T	3/4" NPT	6G0302
BP 360	63 A	500 V	3P+T	1" NPT	6G0402
BP 460	63 A	500 V	4P+T	1" NPT	6G0502





# DX9 DECONTACTOR

Zones 1, 2, 21, 22

Full catalogue available on our website: [www.inpratex.com](http://www.inpratex.com)

## ATEX PLUGS & SOCKETS

ZONES 1, 2 (gas) & 21, 22 (dust)



Certified explosion-proof plugs and sockets, with integrated load-break switch.

Locking in connected or disconnected position by keying axis.



EU-Type Examination Certificate

### ITEM REFERENCES

Designation:	Voltage:	Poles:	Cable entries:	Item No.:
Wall mounting socket DX9	380-440 V	3P+T	M40 (16-27 mm)	6E0201
Plug DX9	380-440 V	3P+T	M40 (16-27 mm)	6E0202
Wall mounting socket DX9	380-440 V	3P+N+T	M40 (16-27 mm)	6E0301
Plug DX9	380-440 V	3P+N+T	M40 (16-27 mm)	6E0302

### TECHNICAL SPECIFICATIONS

Marking:	II 2GD Ex de IIC tD A21 -40 °C ≤ Ta ≤ +60 °C T5 T90 °C -40 °C ≤ Ta ≤ +50 °C T6 T80 °C
Certificate:	EU-Type Examination Certificate
Housing:	Metal (Aluminium)
Rated current:	125 A
Maximum voltage:	750 V
Operating conditions:	Indoor / Outdoor
IP protection lid closed:	IP65
IP protection plug connected:	IP65/IP66
Shock resistance:	IK10
Operating temperature:	-40°C to +60°C
Flexible wiring (min - max):	35 - 50 mm <sup>2</sup>
Stranded wiring (min - max):	50 - 70 mm <sup>2</sup>
Other wiring:	On request
Keying positions:	12

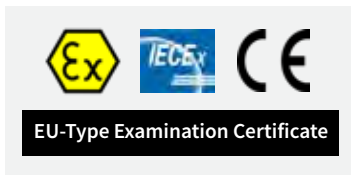
# EX COMPACT CONNECTOR

Zones 1, 2, 21, 22

Full catalogue available on our website: [www.inpratex.com](http://www.inpratex.com)

## ATEX PLUGS & SOCKETS

## ZONES 1, 2 (gas) & 21, 22 (dust)



Compact and rugged connector designed for all types of aggressive environments (humidity, corrosion, pollution) found in many industrial hazardous areas.

The 5 contacts connection can meet all needs and applications such as lighting.

This connector is both quickly assembled and put into service. Its locking ring resists vibration thus preventing accidental disconnection of the plug on load.

The technically advanced silver-nickel butt contact system assures next level performance no matter the conditions. The connector guarantees a long-lasting and electrically efficient connection for your industry.

ITEM REFERENCES			
Designation:	Voltage:	Poles:	Item No.:
Socket-outlet (Female)	250V	3P+N+T	6D0201
Inlet (Male)	250V	3P+N+T	6D0202

TECHNICAL SPECIFICATIONS	
Marking:	<b>Ex</b> II 2GD Ex e IIC T6 Gb Ex tb IIIC T72°C Db
Certificate:	EU-Type Examination Certificate
Operating conditions:	Indoor / Outdoor
Housing:	Glassfibre reinforced thermoplastic UL94 V-0
Butt contacts:	Copper alloy with silver-nickel tips
Contact protection:	Tinning
Load cycles:	More than 2000 cycles
Shock resistance:	IK08
Vibration:	Frequency 5-1000Hz, 1g (90 minutes on each critical frequency) According to IEC 6068 2-6
Impulse withstand voltage:	5 kV / Pollution degree 3
Contact resistance:	<2mΩ
Permitted current range:	4-20 mA / 5 A
Ducts accepted:	From 0,75 mm <sup>2</sup> to 2,5 mm <sup>2</sup> Mechanical terminals
Cable diameter:	From 7 to 14 mm
Operating temperature:	-20°C to +70°C
IP protection Socket with cap:	IP66/IP67   IP69K 100 bar (1450 PSI) 80°C
IP protection connected plug:	IP66/IP67   IP69K 100 bar (1450 PSI) 80°C
Resistance to fluids:	Motor oils, petrol, fats, detergents

# 1P+N+E EXTENSION LEAD

Zones 1, 2, 21, 22

Full catalogue available on our website: [www.inpratex.com](http://www.inpratex.com)

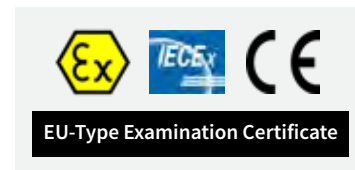
## ATEX PLUGS & SOCKETS

ZONES 1, 2 (gas) & 21, 22 (dust)

Extension leads for mobile services, suitable for operation in explosive atmospheres in the presence of gases, vapours and combustible dust.

Consisting of a rubber insulated hose for use in hazardous areas and ATEX certified plug and socket (male, female). Both sockets are only compatible with plugs and sockets from the same manufacturer.

The configuration provides an IP66/IP67 rating, which gives the system a high protection against dust and liquid ingress.



### ITEM REFERENCES

Designation:	Voltage:	Poles:	Item No.:
1P+N+E 10m Extension lead	220/250V	1P+N+E	6C0402A
1P+N+E 15m Extension lead	220/250V	1P+N+E	6C0402B
1P+N+E 20m Extension lead	220/250V	1P+N+E	6C0402C
1P+N+E 25m Extension lead	220/250V	1P+N+E	6C0402D
COMPATIBLE PLUGS AND SOCKETS			
Wall socket: (female) 1P+N+E	220/250V	1P+N+E	6C0102
Socket-outlet (female) 11P+N+E	220/250V	1P+N+E	6C0302
Plug (male) 1P+N+E	220/250V	1P+N+E	6C0202

### TECHNICAL SPECIFICATIONS

Marking:	II 2G Ex de IIC T*Gb II 2D Ex tb IIIC T*Db
Certificate:	EU-Type Examination Certificate
Operating temperature:	-40°C ≤ Ta ≤ +60°C - T5 T90°C -40°C ≤ Ta ≤ +40°C - T6 T70°C
Operating conditions:	Indoor / Outdoor
Housing:	GRP
Ingress protection:	IP66/67
Shock resistance:	IK08
Cable:	H07RN-F 450/750V - 3G2,5
Cable entries:	M20x1,5 (7 - 14 mm)

# 3 SOCKET DISTRIBUTION UNIT: 3 - 1PH+N+PE

Zones 1, 2, 21, 22

Full catalogue available on our website: [www.inpratex.com](http://www.inpratex.com)

4



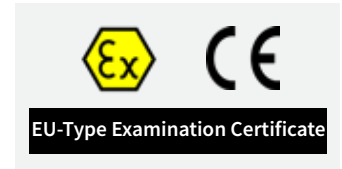
CONTROL & CONNECTION EQUIPMENT

## ATEX PLUGS & SOCKETS

ZONES 1, 2 (gas) & 21, 22 (dust)

ATEX-certified 3-outlet rack for fixed installation in hazardous areas.

Equipped with 3 ATEX sockets 20A 220/250V 1PH+N+PE and their respective plugs. Hinged lid.



*Cable glands and/or stopping plugs are supplied separately*

### ITEM REFERENCES

Designation:	Rated current:	Rated voltage:	Poles:	Item No.:
3-outlet rack 1PH+N+PE	20A	220/250V	1PH+N+PE	6F0110

### TECHNICAL SPECIFICATIONS

Marking:	II 2G Ex ed IIC T6 Gb II 2D Ex tb IIIC T80°C Db
Certificate:	EU-Type Examination Certificate
Material:	Polyester black
Dimensions:	400x250x120 mm
Operating conditions:	Indoor / Outdoor
Terminals:	4x10 mm <sup>2</sup> and 2x10 mm <sup>2</sup> PE
Outlets:	3 sockets 20A 1PH+N+PE
Ingress protection:	IP65
Operating temperature:	-20°C to +40°C
Cable entries:	1 M32x1,5   1 M20x1,5



# 3 SOCKET DISTRIBUTION UNIT: 2 - 1PH+N+PE / 1 - 3PH+PE

Zones 1, 2, 21, 22

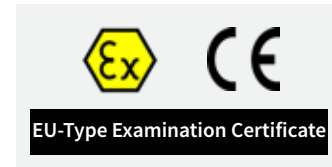
Full catalogue available on our website: [www.inpratex.com](http://www.inpratex.com)

## ATEX PLUGS & SOCKETS

ZONES 1, 2 (gas) & 21, 22 (dust)

ATEX-certified 3-outlet rack for fixed installation in hazardous areas. Hinged lid.

Equipped with 2 ATEX 20A 220/250V 1PH+N+ PE sockets and 1 ATEX 32A 380/440V 3PH+ PE socket with their respective plugs.



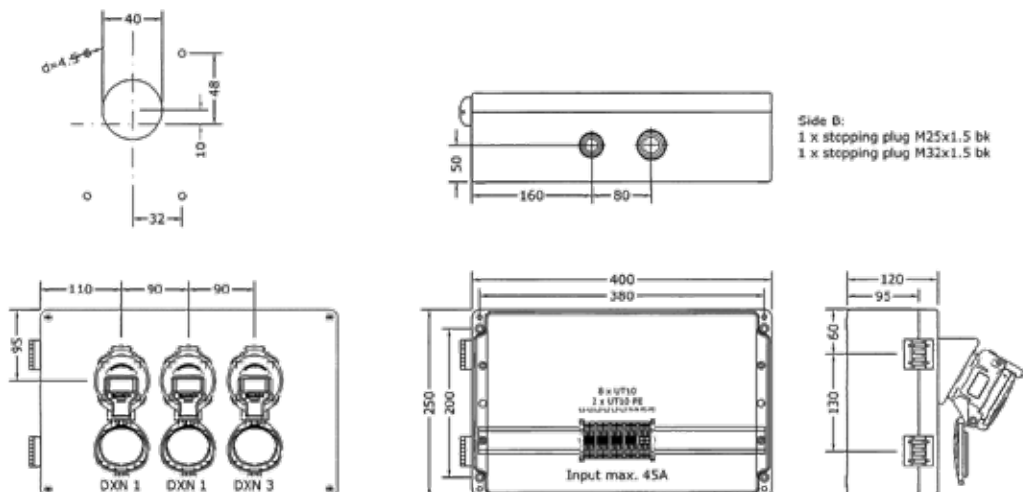
The cable glands are supplied separately

### ITEM REFERENCES

Designation:	Rated current:	Rated voltage:	Poles:	Item No.:
3-outlet rack (2 - 1PH+N+PE 20A / 1 - 3PH+PE 32A)	20A   32A	220/250V   380/440V	1P+N+T   3P+T	6F0113

### TECHNICAL SPECIFICATIONS

Marking:	II 2G Ex ed IIC T6 Gb II 2D Ex tb IIIC T80°C Db
Certificate:	EU-Type Examination Certificate
Material:	Polyester black
Dimensions:	400x250x120 mm
Operating conditions:	Indoor / Outdoor
Terminals:	8x10 mm <sup>2</sup> and 2x10 mm <sup>2</sup> PE
Outlets:	2 sockets 1P+N+T 20A   1 socket 3P+T 32A
Ingress protection:	IP65
Operating temperature:	-20°C to +40°C
Cable entries:	1 M25x1,5   1 M32x1,5





# 4 SOCKET DISTRIBUTION UNIT: 2 - 1PH+N+PE / 1 - 3PH+PE / 1 - 3PH+N+PE

Zones 1, 2, 21, 22

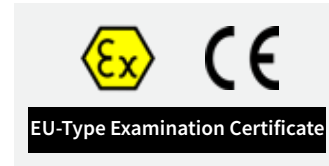
Full catalogue available on our website: [www.inpratex.com](http://www.inpratex.com)

## ATEX PLUGS & SOCKETS

## ZONES 1, 2 (gas) & 21, 22 (dust)

ATEX-certified 4-outlet rack for fixed installation in hazardous areas. Hinged lid.

Equipped with 2 ATEX 20A 220/250V 1PH+N+ PE sockets, 1 ATEX 32A 380/440V 3PH+ PE socket and 1 ATEX 32A 380/440V 3PH+N+PE socket with their respective plugs.



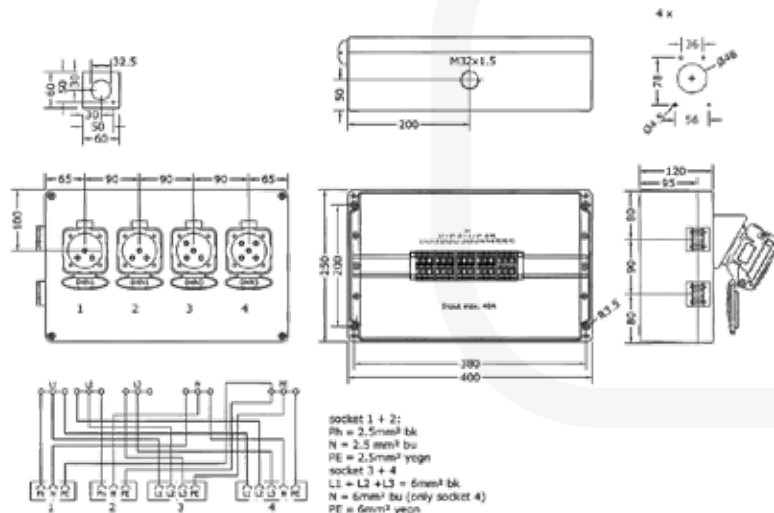
The cable gland is supplied separately

### ITEM REFERENCES

Designation:	Rated current:	Rated voltage:	Poles:	Item No.:
4-outlet rack (2 - 1PH+N+PE 20A / 1 - 3PH+PE 32A / 1 - 3PH+N+PE 32A)	20A   32A	220/250V 380/440V	1P+N+T   3P+T   3P+N+T	6F0114

### TECHNICAL SPECIFICATIONS

Marking:	II 2G Ex ed IIC T6 Gb II 2D Ex tb IIIC T80°C Db
Certificate:	EU-Type Examination Certificate
Material:	Polyester black
Dimensions:	400x250x120 mm
Operating conditions:	Indoor / Outdoor
Terminals:	12x10 mm <sup>2</sup> y 3x10 mm <sup>2</sup> PE
Outlets:	2 sockets 1P+N+T 20A   1 socket 3P+T 32A   1 socket 3P+N+T 32A
Ingress protection:	IP65
Operating temperature:	-20°C to +40°C
Cable entries:	1 M32x1,5



# 4 SOCKET DISTRIBUTION UNIT: 2 - 1PH+N+PE / 2 - 3PH+N+PE

Zones 1, 2, 21, 22

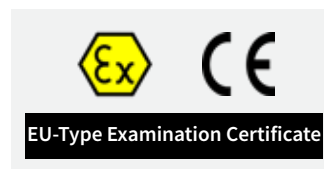
Full catalogue available on our website: [www.inpratex.com](http://www.inpratex.com)

## ATEX PLUGS & SOCKETS

ZONES 1, 2 (gas) & 21, 22 (dust)

ATEX-certified 4-outlet rack for fixed installation in hazardous areas. Hinged lid.

Equipped with 2 ATEX sockets 20A 220/250V 1PH+N+PE, 2 ATEX sockets 32A 380/440V 3PH+N+PE and their respective plugs.



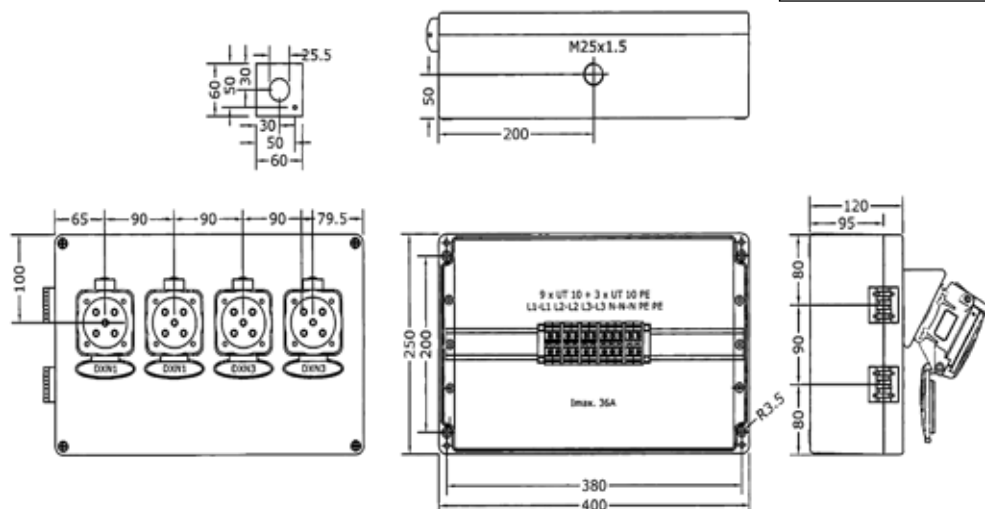
The cable gland is supplied separately

### ITEM REFERENCES

Designation:	Rated current:	Rated voltage:	Poles:	Item No.:
4-outlet rack (2 - 1PH+N+PE 20A / 2 - 3PH+N+PE 32A)	20A   32A	220/250V   380/440V	1PH+N+PE   3PH+N+PE	6F0111

### TECHNICAL SPECIFICATIONS

Marking:	II 2G Ex ed IIC T6 Gb II 2D Ex tb IIIC T80°C Db
Certificate:	EU-Type Examination Certificate
Material:	Polyester black
Dimensions:	400x250x120 mm
Operating conditions:	Indoor / Outdoor
Terminals:	9x10 mm <sup>2</sup> and 3x10 mm <sup>2</sup> PE
Outlets:	2 sockets 20A 1PH+N+PE 2 sockets 32A 3PH+N+PE
Ingress protection:	IP65
Operating temperature:	-20°C to +40°C
Cable entries:	1 M25x1,5



# 6 SOCKET DISTRIBUTION UNIT: 6 - 1PH+N+PE

Zones 1, 2, 21, 22

Full catalogue available on our website: [www.inpratex.com](http://www.inpratex.com)

4



CONTROL & CONNECTION EQUIPMENT

## ATEX PLUGS & SOCKETS

ZONES 1, 2 (gas) & 21, 22 (dust)



ATEX-certified 6-outlet rack for fixed installation in hazardous areas.

Equipped with 6 ATEX sockets 20A 220/250V 1PH+N+PE and their respective plugs. Hinged lid.



EU-Type Examination Certificate

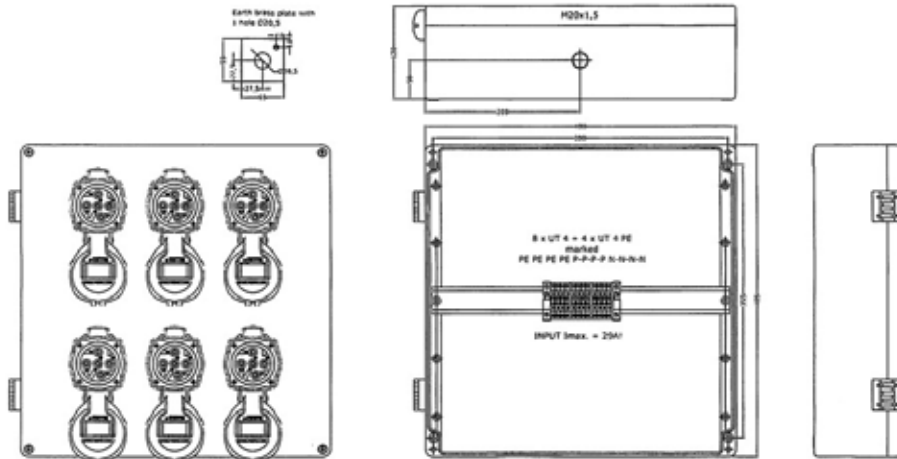
The cable gland is supplied separately

### ITEM REFERENCES

Designation:	Rated current:	Rated voltage:	Poles:	Item No.:
6-outlet rack 1PH+N+PE	20A	220/250V	1PH+N+PE	6F0112

### TECHNICAL SPECIFICATIONS

Marking:	II 2G Ex ed IIC T6 Gb II 2D Ex tb IIIC T80°C
Certificate:	EU-Type Examination Certificate
Material:	Polyester black
Dimensions:	400x405x120 mm
Operating conditions:	Indoor / Outdoor
Terminals:	8x 4 mm <sup>2</sup> and 4x 4 mm <sup>2</sup> PE
Outlets:	6 sockets 20A 1PH+N+PE
Ingress protection:	IP65
Operating temperature:	-20°C to +40°C
Cable entries:	1 M20x1,5



# EX I CONNECTION ELEMENT

Zones 0, 1, 2

Full catalogue available on our website: [www.inpratex.com](http://www.inpratex.com)

## ATEX PLUGS & SOCKETS

ZONES 0, 1, 2 (gas)



Connection elements on electrical devices enable an easy and quick exchange for maintenance or callibration.

The Ex i connection elements are available in three different encodings.

Because of their high IP protection rate as well as their wide ambient temperature range, these units are made for the use in harsh environmental conditions. Also available are protection caps.

**NOTE: this connection elements are for the use with intrinsically safe circuits**



2014/34/UE

### VARIANTS

Male A	Female A	Male B	Female B	Male D	Female D

### ITEM REFERENCES

	Designation:	Type:	Connection:	Item No.:
	4 Poles coupler	A	M12x1 - Ø6-8	4F0101
	4 Poles coupler	A	M12x1 - Ø4-6	4F0102
	4 Poles coupler	B	M12x1 - Ø4-6	4F0103
	4 Poles coupler	B	M12x1 - Ø6-8	4F0104
	4 Poles coupler	D	M12x1 - Ø6-8	4F0105
	4 Poles coupler	D	M12x1 - Ø4-6	4F0106
	4 Poles plug	A	M12x1 - Ø4-6	4F0107
	4 Poles plug	A	M12x1 - Ø6-8	4F0108
	4 Poles plug	B	M12x1 - Ø6-8	4F0109
	4 Poles plug	B	M12x1 - Ø4-6	4F0110
	4 Poles plug	D	M12x1 - Ø4-6	4F0111
	4 Poles plug	D	M12x1 - Ø6-8	4F0112
	Flange socket 4 Poles (4 wires length 0,5 m)	A	M16x1,5	4F0113
	Flange socket 4 Poles (4 wires length 0,5 m)	B	M16x1,5	4F0114
	Flange socket 4 Poles (4 wires length 0,5 m)	D	M16x1,5	4F0115
	Flange plug 4 Poles (4 wires length 0,5 m)	A	M16x1,5	4F0116
	Flange plug 4 Poles (4 wires length 0,5 m)	B	M16x1,5	4F0117
	Flange plug 4 Poles (4 wires length 0,5 m)	D	M16x1,5	4F0118
	Protection cap flange plug			4F0119
	Protection cap flange socket			4F0120
	Protection cap coupler			4F0121
	Protection cap plug			4F0122

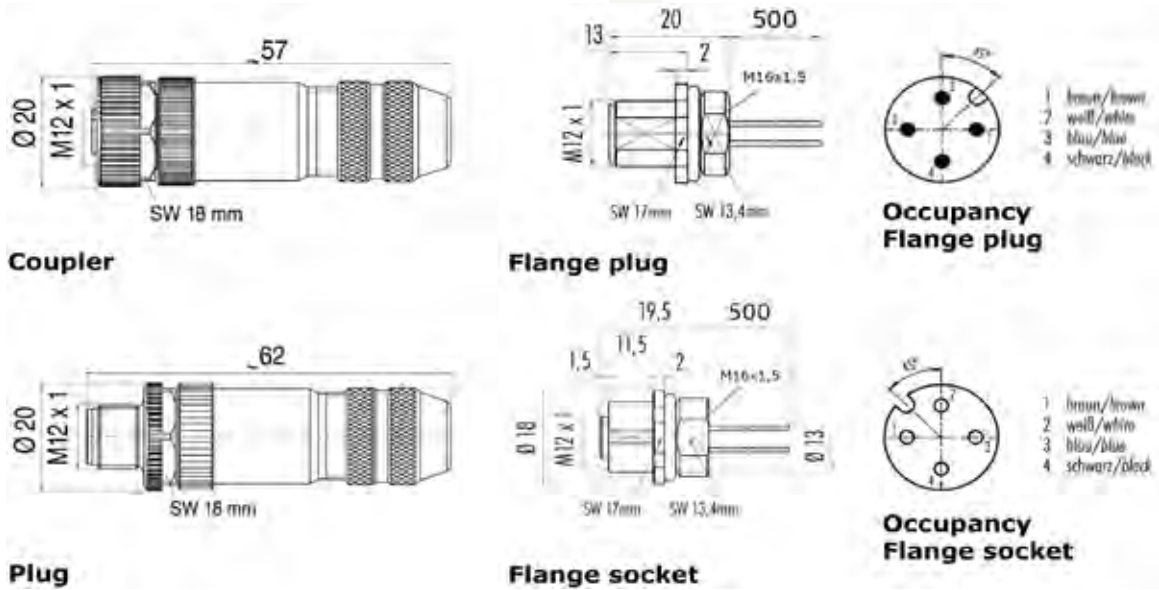
# EX I CONNECTION ELEMENT

Zones 0, 1, 2

Full catalogue available on our website: [www.inpratex.com](http://www.inpratex.com)

## TECHNICAL SPECIFICATIONS

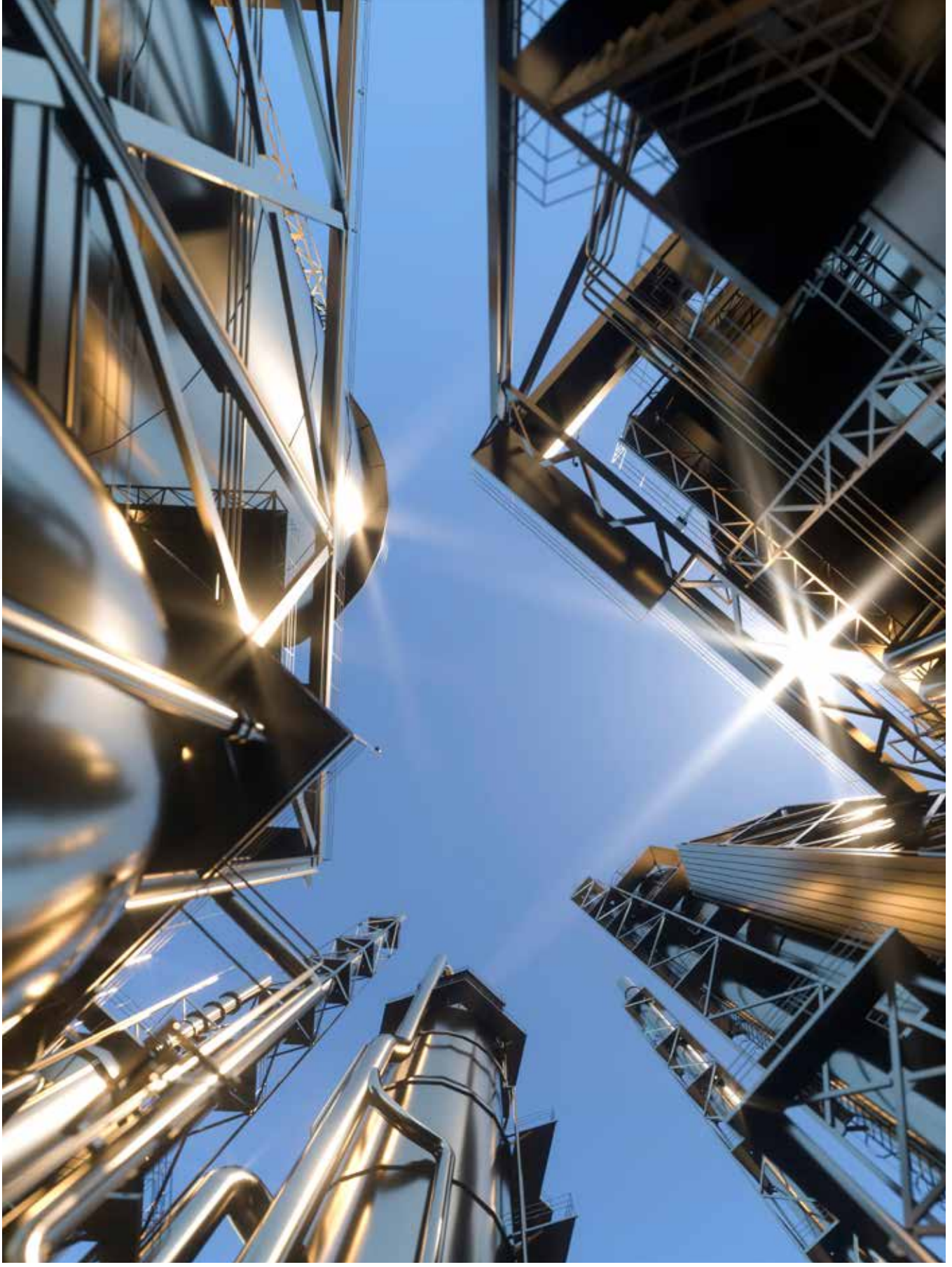
Marking:	II 1G Ex ia IIC T6 Ga
Certificate:	According to 2014/34/EU
Material:	Die-cast zinc (nickel plated)
Ingress protection:	max. IP66/67
Operating temperature:	-40°C to +80°C
Contact material:	Gold plated
Connection:	Plug: 0,75 mm <sup>2</sup> screw type for cable 4-6 or 6-8 mm Socket: 0,25 mm <sup>2</sup> l=0,5m



## APPLICATIONS









The image shows a large, grey industrial electrical cabinet with its doors open. The interior is densely packed with electrical equipment. At the top, there are several rows of terminal blocks with numerous colored wires (red, blue, yellow, green) connected to them. Below the terminal blocks, there are several large, dark grey circuit breakers or switches. One of these units has a red emergency stop button and a green start button. The bottom section of the cabinet features a perforated metal panel for ventilation. The background shows a wooden ceiling structure, suggesting the cabinet is in a workshop or factory setting.

4.7

# LIMIT SWITCHES

# LIMIT SWITCHES XCWD SERIES

Zones 1, 2, 21, 22

Full catalogue available on our website: [www.inpratex.com](http://www.inpratex.com)

## ATEX LIMIT SWITCHES

ZONES 1, 2 (gas) & 21, 22 (dust)

The XCWD limit switches is a safe bet for controlling movement. It benefit from the latest developments: modularity, compactness and a very broad range of actuators.

They are designed for intensive use and a very good repeatability.



They are provided in complete assemblies or variable composition with:

- 2 or 4 electrically separate snap action contacts.
- Can substitute the previous range XCWA and XCWF



EU-Type Examination Certificate

Heads that can be adjusted from 15° to 15° on 360° relative to the body

### TECHNICAL SPECIFICATIONS

Marking:	II 2G Ex d IIC T6 Gb II 2D Ex tb IIIC T85°C Db
Certificate:	EU-Type Examination Certificate
Housing:	Zamac
Operating temperature:	-20°C to +60°C
Ingress protection:	IP66/67
Repeat accuracy:	0,05 mm on the tripping points 1 million operation cycles for actuator with end plunger
Shock resistance:	25 gn (18ms) according to IEC 60068-2-27
Vibration resistance:	5 gn according to IEC 60068-2-27
Rated thermal current:	6 A for 2 contacts according to versions, 3 A for 4 contacts
Rated insulation voltage:	400 V according to IEC 60947-5-1
Contact blocks:	Snap action - 1 x NC + 1 x NO or 2 x NC + 2 x NO
Resistance across terminals:	≤ 25 mΩ according to IEC 60255-7 category 3

### Electrical features of the contacts

Switches with 2 contacts	Switches with 4 contacts
AC-15 ; C300 (Ue = 240 V, Ie = 1.5 A) DC-13 ; R300 (Ue = 250 V, Ie = 0.1 A)	AC-15 ; C300 (Ue = 240 V, Ie = 0.75 A) DC-13 ; R300 (Ue = 250 V, Ie = 0.1 A)

# LIMIT SWITCHES XCWD SERIES

Zones 1, 2, 21, 22

Full catalogue available on our website: [www.inpratex.com](http://www.inpratex.com)

HEAD WITH STRAIGHT MOVEMENT. FIXING BY THE BODY						
Actuator type		Metal end plunger			Steel roller plunger	
		2 CONTACTS	4 CONTACTS		2 CONTACTS	4 CONTACTS
1 m cable length		XCWD2110L1	XCWD4110L1		XCWD2102L1	XCWD4102L1
2 m cable length		XCWD2110L2	XCWD4110L2		XCWD2102L2	XCWD4102L2
5 m cable length		XCWD2110L5	XCWD4110L5		XCWD2102L5	XCWD4102L5
10 m cable length		XCWD2110L10	XCWD4110L10		XCWD2102L10	XCWD4102L10
HEAD WITH STRAIGHT MOVEMENT. FIXING BY THE HEAD						
Actuator type		Metal end plunger - M12			Steel roller plunger - M12	
		2 CONTACTS	4 CONTACTS		2 CONTACTS	4 CONTACTS
1 m cable length		XCWD21F0L1	XCWD410L1		XCWD21F2L1	XCWD41F2L1
2 m cable length		XCWD21F0L2	XCWD410L2		XCWD21F2L2	XCWD41F2L2
5 m cable length		XCWD21F0L5	XCWD410L5		XCWD21F2L5	XCWD41F2L5
10 m cable length		XCWD21F0L10	XCWD410L10		XCWD21F2L10	XCWD41F2L10
HEAD WITH ANGULAR MOVEMENT. FIXING BY THE BODY						
Actuator type		Thermoplastic roller lever			Steel roller lever	
		2 CONTACTS	4 CONTACTS		2 CONTACTS	4 CONTACTS
1 m cable length		XCWD2115L1	XCWD4115L1		XCWD2116L1	XCWD4116L1
2 m cable length		XCWD2115L2	XCWD4115L2		XCWD2116L2	XCWD4116L2
5 m cable length		XCWD2115L5	XCWD4115L5		XCWD2116L5	XCWD4116L5
10 m cable length		XCWD2115L10	XCWD4115L10		XCWD2116L10	XCWD4116L10
HEAD WITH ANGULAR MOVEMENT. FIXING BY THE BODY						
Actuator type		Lever variable length with thermoplastic roller			Lever variable length with steel roller	
		2 CONTACTS	4 CONTACTS		2 CONTACTS	4 CONTACTS
1 m cable length		XCWD2145L1	XCWD4145L1		XCWD2146L1	XCWD4146L1
2 m cable length		XCWD2145L2	XCWD4145L2		XCWD2146L2	XCWD4146L2
5 m cable length		XCWD2145L5	XCWD4145L5		XCWD2146L5	XCWD4146L5
10 m cable length		XCWD2145L10	XCWD4145L10		XCWD2146L10	XCWD4146L10

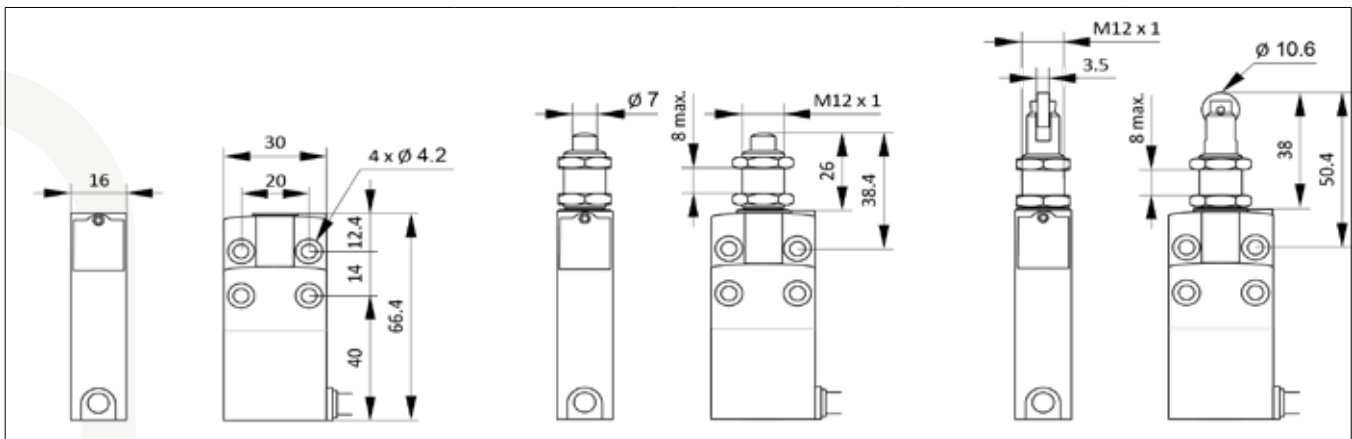
Switch actuation	On end		By 30° cam	
Maximum actuation speed:	0,5 m/s		0,5 m/s	
Mechanical durability:	10 million operating cycles			
Minimum force or torque for tripping:	8,5 N		7 N	
Minimum force or torque for positive opening:	42,5 N		35 N	
Cabling:	PvR Cable 5 x 0,75 mm <sup>2</sup> for 2-pole contact versions PvR Cable 9 x 0,34 mm <sup>2</sup> for 4-pole contact versions			



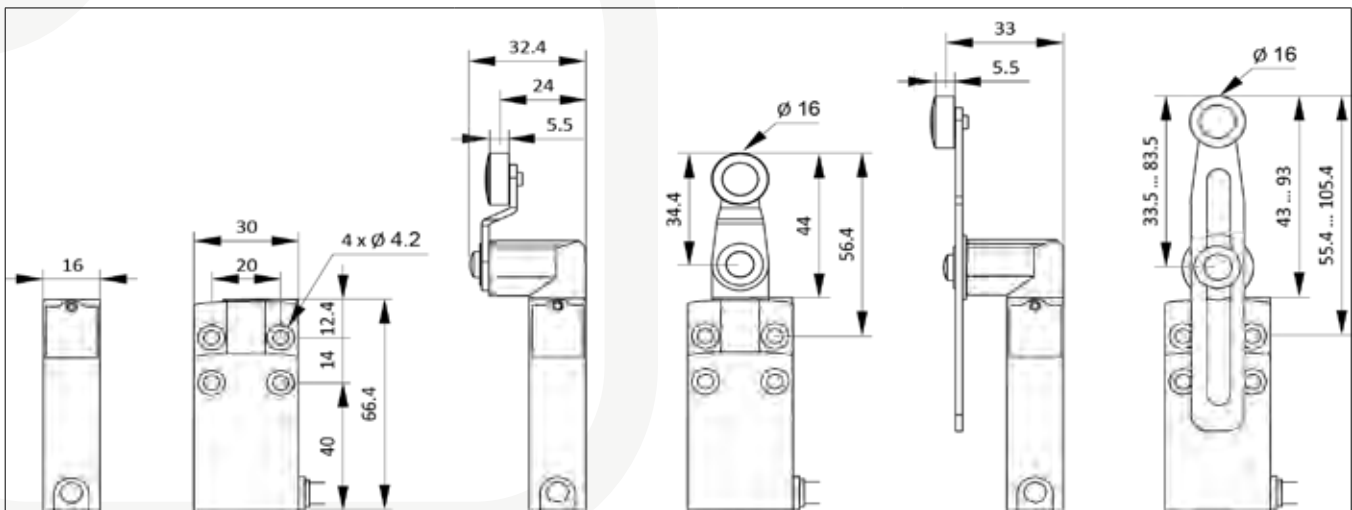
# LIMIT SWITCHES XCWD SERIES

Zones 1, 2, 21, 22

Full catalogue available on our website: [www.inpratex.com](http://www.inpratex.com)



Switch actuation	On end		By 30° cam	
Maximum actuation speed:	0,5 m/s		0,1 m/s	
Mechanical durability:	10 million operating cycles			
Minimum force or torque for tripping:	8,5 N		7 N	
Minimum force or torque for positive opening:	42,5 N		35 N	
Cabling:	PvR Cable 5 x 0,75 mm <sup>2</sup> for 2-pole contact versions PvR Cable 9 x 0,34 mm <sup>2</sup> for 4-pole contact versions			



Switch actuation	By 30° cam		By 30° cam	
Maximum actuation speed:	0,1 m/s		1,5 m/s	
Mechanical durability:	10 million operating cycles			
Minimum force or torque for tripping:	7 N		0,1 N.m	
Minimum force or torque for positive opening:	35 N		0,5 N.m	
Cabling:	PvR Cable 5 x 0,75 mm <sup>2</sup> for 2-pole contact versions PvR Cable 9 x 0,34 mm <sup>2</sup> for 4-pole contact versions			

## CONTACT BLOCKS

Switches with 2-pole contacts NC + NO snap action	Switches with 4-pole contacts NC + NC + NO + NO snap action



# LIMIT SWITCHES XCK - XCR SERIES

Zones 1, 2, 21, 22

Full catalogue available on our website: [www.inpratex.com](http://www.inpratex.com)

4



CONTROL & CONNECTION EQUIPMENT

## ATEX LIMIT SWITCHES

## ZONES 1, 2 (gas) & 21, 22 (dust)



The XCK and XCR ranges of ATEX certified limit switches are well known around the world for their reliability, design and flexibility of application.

The XCKW series are supplied with fitted cable gland for easy installation. XCKWMR are fitted for lifting equipment, conveyors, handling devices...

XCR A / B / TW are fitted for lifting equipment, conveyors...



EU-Type Examination Certificate

### TECHNICAL SPECIFICATIONS

Marking:	II 2G Ex d e IIC T6 Gb II 2D Ex tb IIIC T85°C Db
Certificate:	EU-Type Examination Certificate
Housing:	Zamac
Operating temperature:	XCKW: -20°C to +60°C XCR.W: -30°C to +60°C
Ingress protection:	IP65 according to EN/IEC 60529
Contact blocks:	500 V, 3 A


### FOR LIFTING EQUIPMENT, CONVEYORS - FIXING DISTANCE 85 x 75 mm

Actuator type							
	Square rod 6 mm spring return position	Thermoplastic roller lever Ø 30 mm	Thermoplastic roller lever Ø 50 mm	Metallic square rod in cross, stay put	Lever galvanized	Lever in stainless steel	
Two 2-pole NC + NO contacts, both operate in each direction	XCRAW111	XCRAW121	XCRAW151	XCREW181 (2)			
Two 2-pole NC + NO contacts, one operates in each direction	XCRBW111	XCRBW121	XCRBW151	XCRFW171 (3)			
2 single contacts NO + NC					XCRTW115	XCRTW215	
Actuation speed	1,5 m/s						
Durability	10 million operations				0.3 million operations		
Contact type	Snap action						
Cable entry	1 x M20 (8 - 13 mm)						
(2) Metallic rods in cross (3) Metallic rods in "T"							








# LIMIT SWITCHES XCK - XCR SERIES

Zones 1, 2, 21, 22

Full catalogue available on our website: [www.inpratex.com](http://www.inpratex.com)

OVERAL USE - FIXING DISTANCE 41 mm					
					
Actuator type	Metal end plunger	Steel roller plunger	Thermoplastic roller lever	Thermoplastic roller lever	"Cat's whisker"
NO + NC	XCKWM2110H29	XCKWM2102H29	XCKWM2121H29	XCKWM2115H29	XCKWM2106H29
Actuation speed	0,5 m/s		1,5 m/s		0,5 m/s
Durability	20 million operations				10 million operations
Contact type	Snap action				
Cable entry	2 x blind plug   1 x M20 (8 - 13 mm)				

COMPACT RANGE - FIXING DISTANCE 20 mm						
						
Actuator type	Metal end plunger	Booted metal end plunger	Steel roller plunger	Plastic roller, horizontal actuation	Plastic roller, vertical actuation	Plastic roller, vertical or horizontal actuation
NC + NC	XCKWD2110P16	XCKWD2111P16	XCKWD2102P16	XCKWD2121P16	XCKWD2127P16	XCKWD2128P16
NO + NC	XCKWD2910P16	XCKWD2911P16	XCKWD2902P16	XCKWD2921P16	XCKWD2927P16	XCKWD2928P16
Actuation speed	0,5 m/s			1 m/s		
Durability	15 million operations		10 million operations	15 million operations		
Contact type	Snap action					
Cable entry	1 x M16 (5 - 8 mm)					

COMPACT RANGE - FIXING DISTANCE 20 mm							
							
Actuator type	Thermoplastic roller lever	Thermoplastic roller lever Ø 50 mm	Variable length plastic roller lever	Variable length plastic roller Ø 50 mm	"Cat's whisker"	M18 head Metal end plunger	M18 steel roller end plunger
NC + NC	XCKWD2118P16	XCKWD2139P16	XCKWD2145P16	XCKWD2149P16	XCKWD2106P16	XCKWD21H0P16	XCKWD21H2P16
NO + NC	XCKWD2918P16	XCKWD2939P16	XCKWD2945P16	XCKWD2949P16	XCKWD2906P16	XCKWD29H0P16	XCKWD29H2P16
Actuation speed	1,5 m/s				1 m/s	0,5 m/s	
Durability	10 million operations				5 million operations	10 million operations	
Contact type	Snap action						
Cable entry	1 x M16 (5 - 8 mm)						

# LIMIT SWITCHES XCK - XCR SERIES

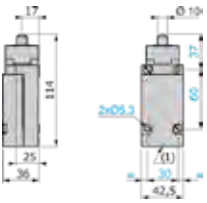
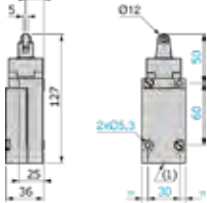
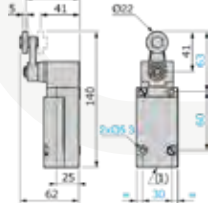
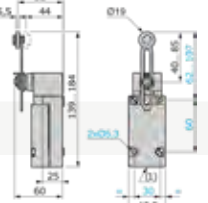
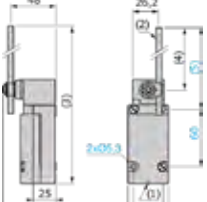
Zones 1, 2, 21, 22

Full catalogue available on our website: [www.inpratex.com](http://www.inpratex.com)

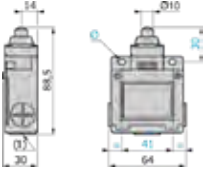
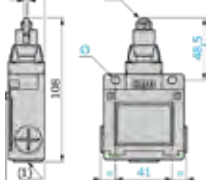
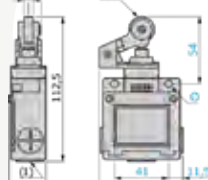
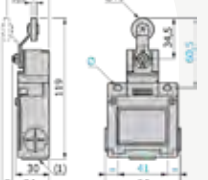
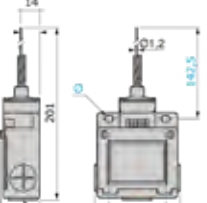

## COMPACT RANGE - FIXING DISTANCE 30 x 60 mm

						
Actuator type	Metal end plunger	Steel roller plunger	Steel roller lever	Thermoplastic roller lever	Variable length thermoplastic roller lever	Round lever Ø 6 mm polyamide L = 200 mm
NO + NC	XCKWJ2161H29	XCKWJ2167H29	XCKWJ210513H29	XCKWJ210511H29	XCKWJ210541H29	XCKWJ210559H29
Actuation speed	0,5 m/s	1 m/s	1,5 m/s			
Durability	30 million operations	25 million operations	30 million operations		20 million operations	
Contact type	Snap action					
Cable entry	1 x M20 (8 - 13 mm)					

## XCKWJ - CLASSIC RANGE

XCKWJ2161H29	XCKWJ2167H29	XCKWJ210513H29 - XCKWJ210511H29	XCKWJ210541H29
			
			
<p>1) 1 entry ISO M20 x 1.5 for cable gland                  2) Lever Ø 6 mm, length 120 mm                  Ø) 2 slotted holes 5.3 x 7.3 mm</p>			

## XCKWM - CLASSIC RANGE

XCKWM2110H29	XCKWM2102H29	XCKWM2121H29	XCKWM2115H29
			
			
<p>1) 3 entries ISO M20 x 1.5 for cable gland                  2) 2 holes x Ø 4                  Ø) 2 slotted holes 5.2 x 6.2 mm</p>			



# KEY-LOCK SAFETY SWITCHES WITH POSITIVE OPENING

Zones 1, 2, 21, 22

Full catalogue available on our website: [www.inpratex.com](http://www.inpratex.com)

## ATEX LIMIT SWITCHES

## ZONES 1, 2 (gas) & 21, 22 (dust)



Ex-proof key-lock safety switches ideal to control gates, protections, carters and any moving mechanical part.

The stainless steel operating key has to be fixed to the mobile part of the protection.

The key is removed from the switch when opening the protection and a mechanism ensures the positive opening of the electric contact.

Applicable to any type of protection (hinged, removable or sliding). It is possible to operate the switch with a key allowing the restart only by inserting the same key.

Electrical power or timers not required.



EU-Type Examination Certificate

### TECHNICAL SPECIFICATIONS

Marking:	<ul style="list-style-type: none"> <li>II 2G Ex d IIC T6/T5 Gb</li> <li>II 2D Ex tb IIIC T85°C/T100°C Db</li> </ul>
Certificate:	EU-Type Examination Certificate
Housing:	Aluminium light alloy. Externalepoxy RAL7000
Operating temperature:	-20°C to +40°C
Ingress protection:	IP66/67
Frequency of operations:	20/min up to +40°C
Number of cycles:	8 - 10 millions
Nominal current:	I: 10 A
Insulating voltage:	Ui: 500 Vac / 600 Vdc
Impulse withstand voltag:	Uimp: 6 kV
Short circuit current:	1000 AV
Short circuit protection:	Fuse 10A 500 V
Minimum conductor section:	1.5 mm <sup>2</sup>
Max. current density:	5 A/mm <sup>2</sup>
Cable entries:	1 x 1/2" NPT. In option M20X1.5. (Cable gland not included)

#### CONTACT UNIT

	AC15 (50-60Hz)			DC13 (d.c.)		
	250	400	500	24	125	250
U <sub>e</sub> (V)	250	400	500	24	125	250
I <sub>e</sub> (A)	6	4	1	6	1.1	0.4

#### ELECTRICAL DIAGRAM

Type	Contact	Diagram	Operating	Type	Contact	Diagram	Operating
C2	1NO+1NC		Stop action	C10	2NO		Stop action
C5	1NO+1NC		Stop action	C11	2NO		Stop action
C6	1NO+1NC		Stop action	C14	2NO		Stop action
C7	1NO+1NC		Emergency stop action	C15	2NO		Stop action
C9	2NO		Stop action	C20	1NO+2NC		Stop action



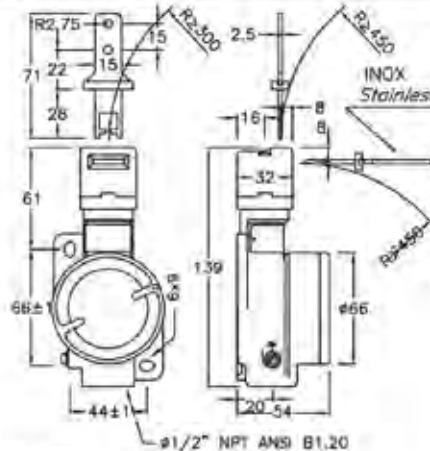
# KEY-LOCK SAFETY SWITCHES WITH POSITIVE OPENING

Zones 1, 2, 21, 22

Full catalogue available on our website: [www.inpratex.com](http://www.inpratex.com)

Contact blocks	Item N°.	Travel diagram
----------------	----------	----------------

## With Key



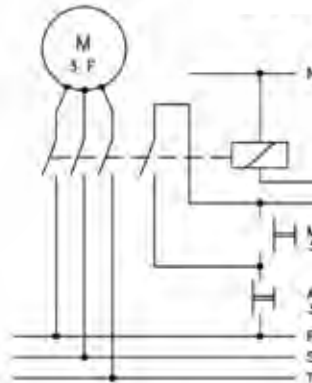
C6		PS 693N	
1NO+1NC			
C9		PS 993N	
ZNC			

### Legend

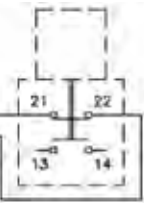


Positive opening

### Wiring example



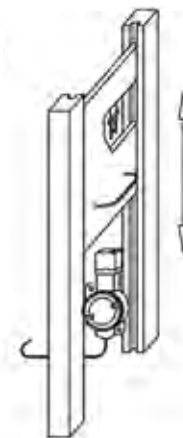
### Key safety switch



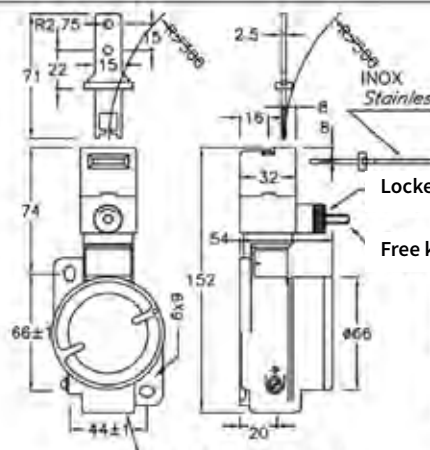
21-22 Safety contact

13-14 Auxiliary contact

### Installation example



## With Key Manual Mechanical Delay



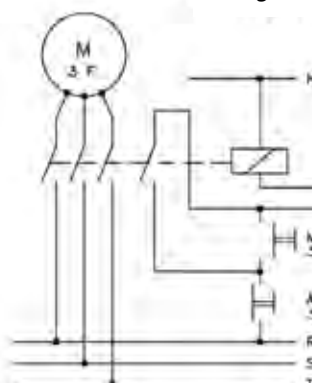
C6		PS 6R2N	
1NO+1NC			
C9		PS 9R2N	
ZNC			

### Legend

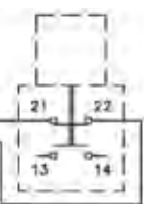


Positive opening

### Wiring example



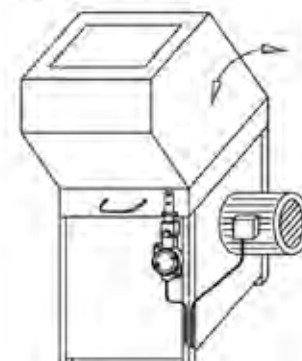
### Key safety switch



21-22 Safety contact

13-14 Auxiliary contact

### Installation example



# CABLE OPERATED SAFETY SWITCHES WITH POSITIVE OPENING

Zones 1, 2, 21, 22

Full catalogue available on our website: [www.inpratex.com](http://www.inpratex.com)

## ATEX LIMIT SWITCHES

ZONES 1, 2 (gas) & 21, 22 (dust)



Ex-proof cable operated safety switches ideal to control any moving mechanical parts especially conveyors.

Self-diagnostic for the correct operation of the unit by opening the contacts in case of cable loosening or breakage detection.

The version with reset includes the indicator of correct tension of the cable as well as a mechanical indicator of the status of the contacts. Contacts remain open after the intervention even if the cable is released.

Suitable for cables with free span up to 16 m and, with appropriate extensions, even beyond.



EU-Type Examination Certificate

### TECHNICAL SPECIFICATIONS

Marking:	<ul style="list-style-type: none"> <li>II 2G Ex d IIC T6/T5 Gb</li> <li>II 2D Ex tb IIIC T85°C/T100°C Db</li> </ul>
Certificate:	EU-Type Examination Certificate
Housing:	Aluminium light alloy. External epoxy RAL7000
Operating temperature:	-20°C to +40°C
Ingress protection:	IP66/67
Frequency of operations:	20/min up to +40°C
Number of cycles:	8 - 10 millions
Nominal current:	I: 10 A
Insulating voltage:	Ui: 500 Vac / 600 Vdc
Impulse withstand voltage:	Uimp: 6 kV
Short circuit current:	1000 AV
Short circuit protection:	Fuse 10A 500 V
Minimum conductor section:	1.5 mm <sup>2</sup>
Max. current density:	5 A/mm <sup>2</sup>
Cable entries:	1 x 1/2" NPT. In option M20X1.5. (Cable gland not included)

#### CONTACT UNIT

	AC15 (50-60Hz)			DC13 (d.c.)		
U <sub>e</sub> (V)	250	400	500	24	125	250
I <sub>e</sub> (A)	6	4	1	6	1.1	0.4

#### ELECTRICAL DIAGRAM

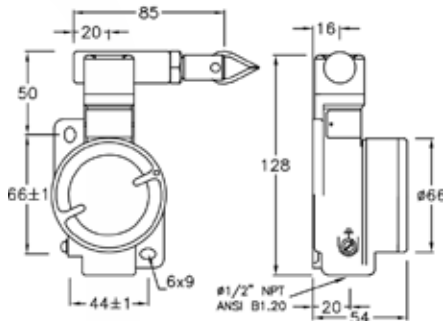
Type	Contact	Diagram	Operating	Type	Contact	Diagram	Operating
C2	1NO+1NC		Stop action	C10	2NO		Stop action
C5	1NO+1NC		Stop action	C11	2NO		Stop action
C6	1NO+1NC		Stop action	C14	2NO		Stop action
C7	1NO+1NC		Resetting slow action	C15	2NO		Stop action
C9	2NO		Stop action	C20	1NO+1NC		Stop action

# CABLE OPERATED SAFETY SWITCHES WITH POSITIVE OPENING

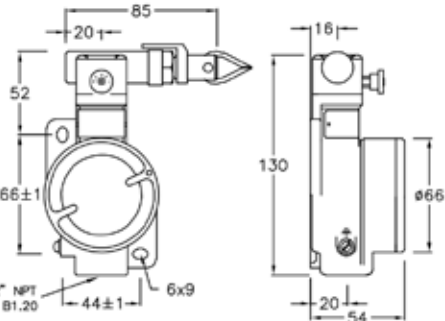
Zones 1, 2, 21, 22

Full catalogue available on our website: [www.inpratex.com](http://www.inpratex.com)

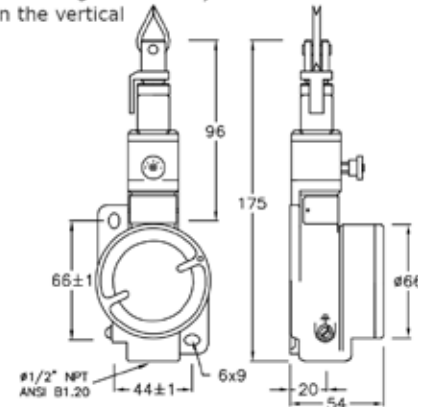
WITH CONNECTING ROD FOR ROPE



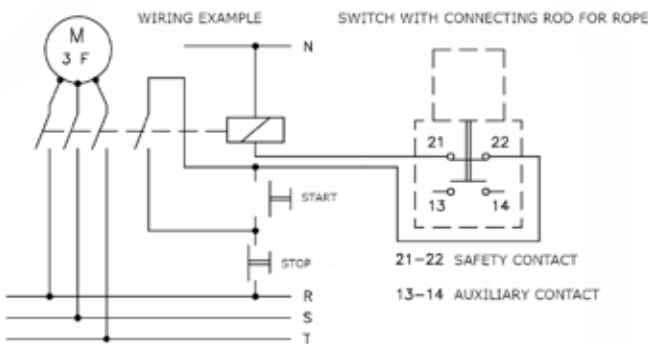
WITH CONNECTING ROD RESET ROPE ON THE RIGHT (684-984) AND LEFT (683-983)



WITH CONNECTING ROD RESET ROPE (Max. length 6 or 12m) on the vertical



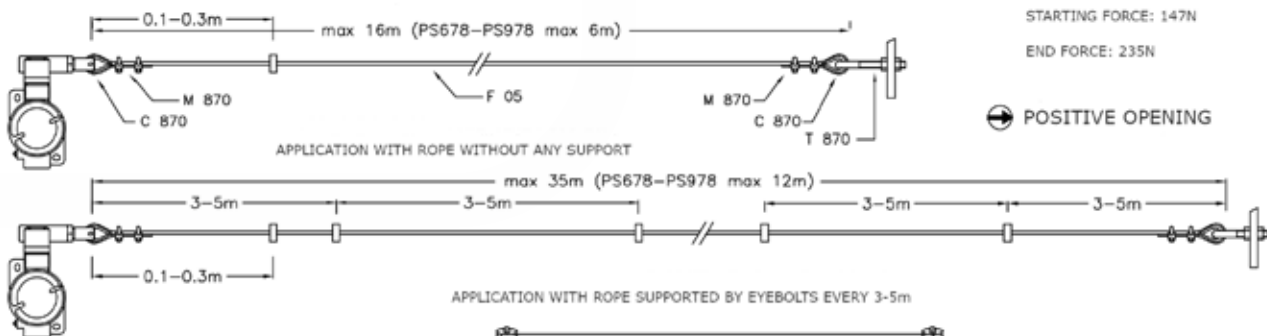
CONTACT BLOCKS	CATALOGUE No.	TRAVEL DIAGRAMS	CATALOGUE No.	TRAVEL DIAGRAMS	CATALOGUE No.	TRAVEL DIAGRAMS
C6 1NO+1NC	PS 680N		PS 684N PS 683N		PS 678	
C9 2NC	PS 980N		PS 984N PS 983N		PS 978	



ACCESSORIES

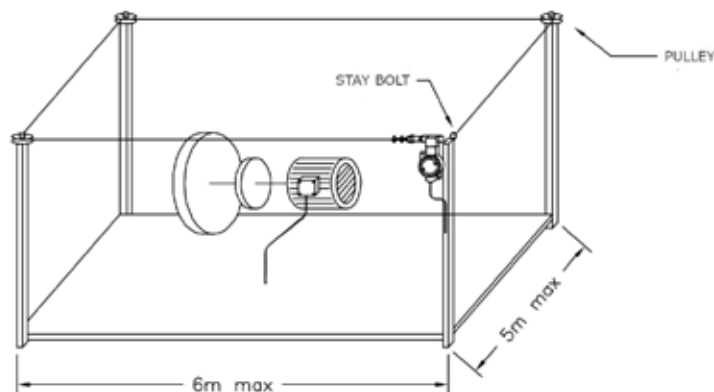
- Art. T 870 STAY BOLT SUITABLE FOR SETTING THE ROPE IN TENSION CORRECTLY (pcs. 1)
- Art. M 870 ROPE CLAMP (pcs. 2 or 4)
- Art. C 870 THIMBLE (pcs. 1)
- Art. F 05 RED PLASTICIZED STEEL ROPE 05mm (coils of 100m)

INSTALLATION EXAMPLES



STARTING FORCE: 147N  
END FORCE: 235N

POSITIVE OPENING



# BUOYANT OPERATED LIMIT SWITCHES

Zones 1, 2, 21, 22

Full catalogue available on our website: [www.inpratex.com](http://www.inpratex.com)

## ATEX LIMIT SWITCHES

## ZONES 1, 2 (gas) & 21, 22 (dust)



Explosion-proof buoyant operated limit switch, certified for use in explosive atmosphere, zones 1 & 2 for gas and zones 21 & 22 for dust.

Buoyant in Moplen, cable in Nylon (2m) and counterweight in Zinc Plated Steel. Tags and screws in Stainless Steel.

The switch is normally supplied with actuator acting in both directions (actuator with float left or right).



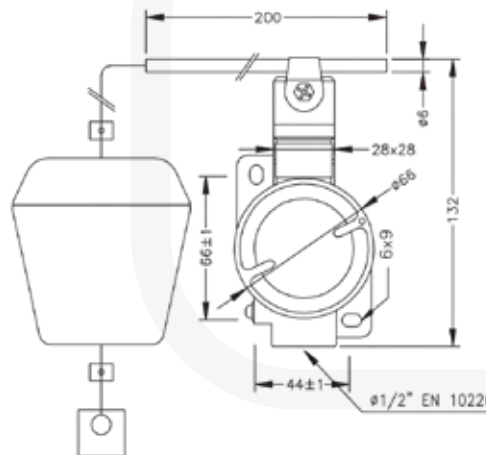
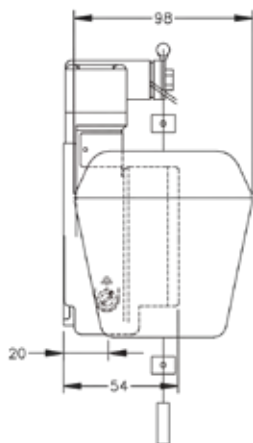
EU-Type Examination Certificate

### ITEM REFERENCES

Designation:	Contact type:	Contact:	Current(A):	Voltage (V):	Item No.:
PS 10AG	Single pole	1NA+1NC	I max = 10A	V max = 220V AC/DC	4D0401
PS 20AG	Double pole	2NA+2NC	I max = 10A	V max = 220V AC/DC	4D0402

### TECHNICAL SPECIFICATIONS

Marking:	II 2G Ex d IIC T6/T5 Gb II 2D Ex tb IIIC T85°C/T100°C Db
Certificate:	EU-Type Examination Certificate
Housing:	Aluminium light alloy
Colour:	External Epoxy RAL7000
Operating temperature:	-20°C to +40°C
Ingress protection:	IP66/67
Cable entries:	1/2" NPT. M20X1.5 on request. (Cable gland not included)



# PULL-WIRE SWITCHES

Zones 1, 2, 21, 22

Full catalogue available on our website: [www.inpratex.com](http://www.inpratex.com)

## ATEX LIMIT SWITCHES

ZONES 1, 2 (gas) & 21, 22 (dust)



The pull-wire switches are installed above or near conveyors, machines or installations which can not be secured by other devices such as protective covers.

They provide a reliable and proven solution for all situations where security is fundamental especially in potentially explosive atmospheres.

They are designed for explosive atmospheres gas/vapours or dust and meet the highest levels of protection.



EU-Type Examination Certificate



### ITEM REFERENCES

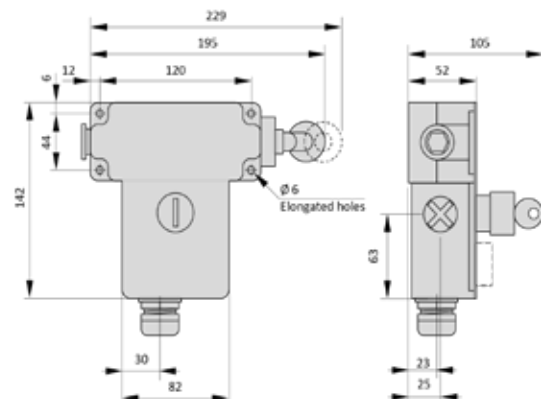
Designation:	Operating anchoring cable point:	Contact:	Item No.:
Reset by booted push button	To left	1 x NC + NO	4D0601
Reset by booted push button	To right	1 x NC + NO	4D0603
Reset by key release push button - Key 421	To left	1 x NC + NO	4D0605
Reset by key release push button - Key 421	To right	1 x NC + NO	4D0607

### TECHNICAL SPECIFICATIONS

Marking:	II 2GD Ex d e IIC T6 Gb Ex tb IIIC T85°C Db
Certificate:	EU-Type Examination Certificate
Housing:	Zamac, carbon steel
Features of the contact block:	$U_{max} = 250 V$   $I_{max} = 3 A$
Mechanical endurance of the head:	Head: 5 million operations - Contact block: 1 million operations
Operating temperature:	-20°C to +60°C
Ingress protection:	IP65
Cable entries:	1xM20 cable gland

### ACCESSORIES

Designation:	Item No.:
Cable pulley support	4D0609
Pulley for $\varnothing 5$ mm cable max.	4D0610
Cable end protector for cable $\varnothing 3,2$ mm	4D0611
Cable end protector for cable $\varnothing 5$ mm	4D0612
Swivelling cable support	4D0613
End spring	4D0614



4



CONTROL & CONNECTION EQUIPMENT



4.8

**EARTHING &  
GROUNDING  
DEVICES**



# PTA 10 GROUNDING CLAMPS

Zones 1, 2, 21, 22

Full catalogue available on our website: [www.inpratex.com](http://www.inpratex.com)

## ATEX GROUNDING CLAMPS

ZONES 1, 2 (gas) & 21, 22 (dust)

4



CONTROL & CONNECTION EQUIPMENT



Grounding clamp indispensable whenever it is required the temporary grounding of tank trucks or tankers during transfer either of liquids or hazardous substances.

The fastening is secured by two brass springs of great strength.



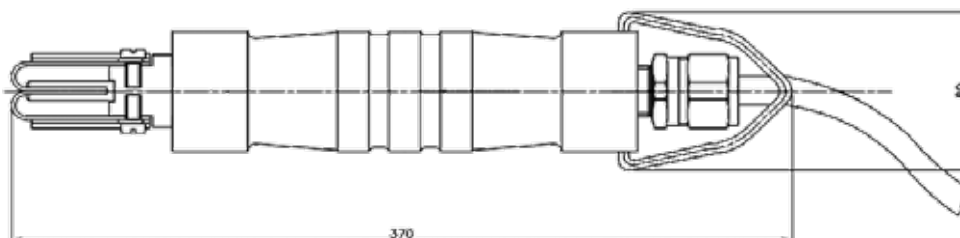
EU-Type Examination Certificate

### ITEM REFERENCES

Designation:	Insulation voltage:	Gripping capacity:	Current (A):	Cable section:	Item No.:
PTA 10	3000 V	0,5mm ~ 3mm	I max = 10A	6 - 10 - 16 mm <sup>2</sup>	6D0401

### TECHNICAL SPECIFICATIONS

Marking:	II 2G Ex d IIC T6/T5 II 2D Ex tD A21 T85°C - T100°C
Certificate:	EU-Type Examination Certificate
Sleeve:	Polyamide
Anchor hook:	Stainless steel AISI 304
Contact spring:	Brass
Weight:	1 kg
Operating temperature:	-20°C to +40°C
Ingress protection:	IP65
Cable entries:	1x1/2" NPT. Nickel plated cable gland (non armoured cable) External diameter (4 - 7 mm)



# ISEO I GROUNDING CLAMPS

Zones 1, 2, 21, 22

Full catalogue available on our website: [www.inpratex.com](http://www.inpratex.com)

## ATEX GROUNDING CLAMPS

ZONES 1, 2 (gas) & 21, 22 (dust)

ATEX certified grounding clamp specially designed for use in hazardous areas. Iseo I pliers are particularly suitable for equipping vehicles, tow trucks and tanks or to electrically ground mixing tanks.



EU-Type Examination Certificate



The electrical continuity is ensured by the carbonitrided steel contact tips which make a firm connection to any foothold having a thickness between 3 and 20 mm.

Equipped with tearingproof junction between the cable of the user and the one of the clamp.

### ITEM REFERENCES

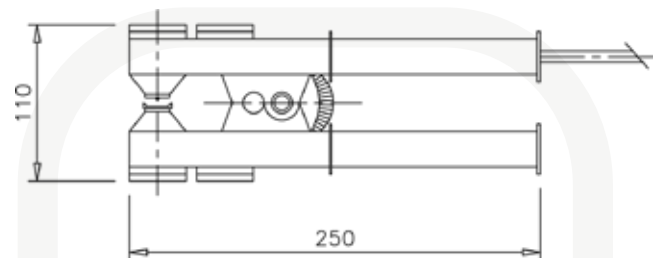
Designation:	Insulation voltage:	Gripping capacity:	Current (A):	Cable section:	Cable lenght:	Item No.:
ISEO I	3000 V	3mm ~ 20mm	I max = 10A	1 x 6 mm <sup>2</sup>	11 m	6D0501

### APPLICATION

Tanker trucks	Silos	Miscellaneous	Big Bags

### TECHNICAL SPECIFICATIONS

Marking:	II 2G Ex d IIC T6 II 2D Ex tb IIIC T85°C Db
Certificate:	EU-Type Examination Certificate
Material:	Aluminium
Contact tips:	Carbonitrided steel
Ingress protection:	IP65
Weight:	0,700 kg
Operating temperature:	-20°C to +55°C



### NOTES

Check daily the sliding of the crimping rod within the body of the clamp. Keep the coupling clean and lubricated with silicone spray. This is necessary to ensure grounding while making sure that any disruptive discharges occur in the inner chamber, purposely isolated, and not in the external environment.

For correct operation of the clamp it is recommended a monthly check of the crimping plugs, subject to wear; this ensures a perfect contact with the terminal which are linked to. Check the integrity of the electrical cable to the ground terminal in the vicinity of the clamp itself; verify the electrical continuity (at least once a month).

For use in potentially explosive atmospheres caused by dusts the user must provide a regular cleaning to limit the formation of layers of dust.



# ISEO II GROUNDING CLAMPS

Zones 1, 2, 21, 22

Full catalogue available on our website: [www.inpratex.com](http://www.inpratex.com)

## ATEX GROUNDING CLAMPS

ZONES 1, 2 (gas) & 21, 22 (dust)

ATEX certified grounding clamp specially designed for use in hazardous areas. Iseo II pliers are the ideal tool for tanker loading platform equipped with electronic devices to signal correct grounding.



EU-Type Examination Certificate



The electrical continuity is ensured by the carbonitrided steel contact tips which make a firm connection to any foothold having a thickness between 3 and 20 mm.

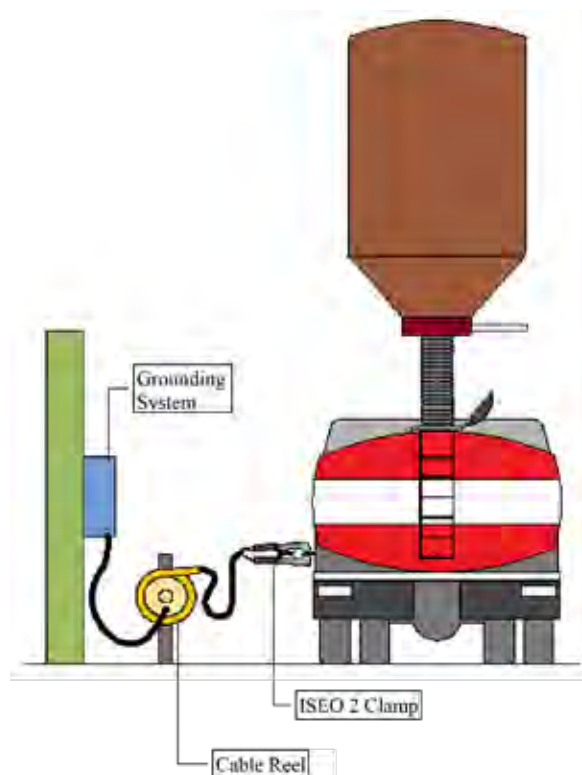
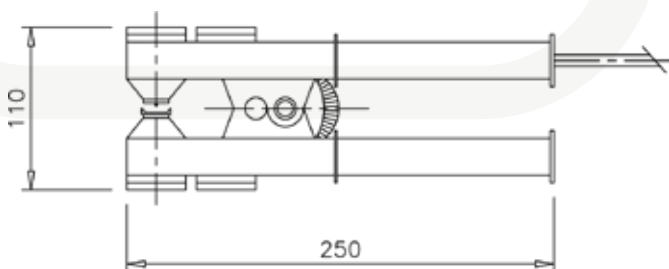
Equipped with tearingproof junction between the cable of the user and the one of the clamp.

### ITEM REFERENCES

Designation:	Insulation voltage:	Gripping capacity:	Current (A):	Cable section:	Cable lenght:	Item No.:
ISEO II	3000 V	3mm ~ 20mm	I max = 10A	3 x 3 mm <sup>2</sup>	11 m	6D0502

### TECHNICAL SPECIFICATIONS

Marking:	II 2G Ex d IIC T6 II 2D Ex tb IIIC T85°C Db
Certificate:	EU-Type Examination Certificate
Material:	Aluminium
Contact tips:	Carbonitrided steel
Ingress protection:	IP65
Weight:	0,700 kg
Operating temperature:	-20°C to +55°C



### NOTES

Check daily the sliding of the crimping rod within the body of the clamp. Keep the coupling clean and lubricated with silicone spray. This is necessary to ensure grounding while making sure that any disruptive discharges occur in the inner chamber, purposely isolated, and not in the external environment.

For correct operation of the clamp it is recommended a monthly check of the crimping plugs, subject to wear; this ensures a perfect contact with the terminal which are linked to. Check the integrity of the electrical cable to the ground terminal in the vicinity of the clamp itself; verify the electrical continuity (at least once a month).

For use in potentially explosive atmospheres caused by dusts the user must provide a regular cleaning to limit the formation of layers of dust.



# 70SG PASSIVE GROUNDING CLAMPS WITH SPIRAL CABLE

Zones 0, 1, 2, 20, 21, 22

Full catalogue available on our website: [www.inpratex.com](http://www.inpratex.com)



## ATEX GROUNDING CLAMPS

ZONES 0, 1, 2 (gas) & 20, 21, 22 (dust)



Passive ATEX grounding clamps for the temporary grounding of tank trucks or tankers during transfer either of liquids or hazardous substances. Electrostatic charges are discharged effectively

Supplied with 5m of orange spiral cable, assembled with an ELM00714 plug. (1 m extendable to max. 5 m).



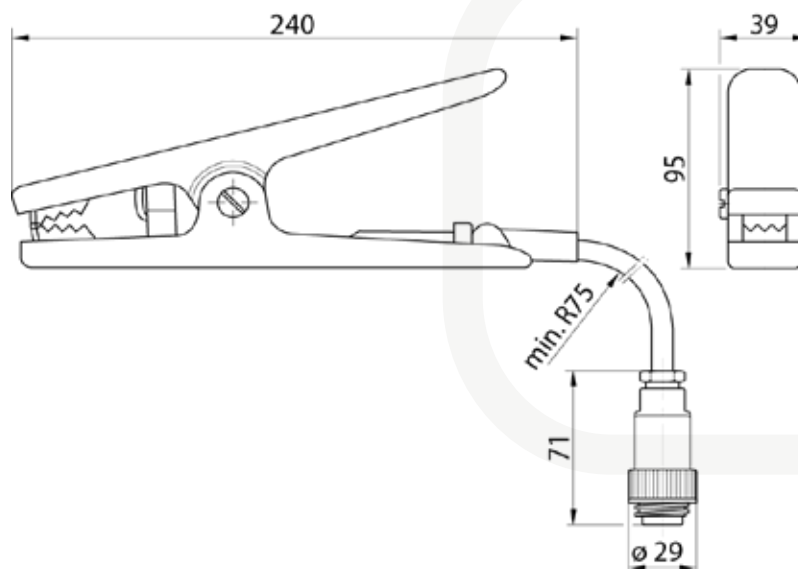
EU-Type Examination Certificate

### ITEM REFERENCES

Designation:	Clamping width:	Clamping force:	Spiral cable length:	Item No.:
70SG	35 mm	140 N ±20%	5 m	6D0710

### 70SG CLAMP TECHNICAL SPECIFICATIONS

Clamp Marking:	II 1G IIB T6 Ga, II 2G IIC T6 Gb, II 1D T80°C Da
Certificate:	EU-Type Examination Certificate
Clamp material:	Stainless steel
Operating temperature:	-20°C to +70°C
Ground cable: (color: orange)	Oil and gasoline resistant control lead H07BQ-F, 3 x 1.5 mm <sup>2</sup> Temperature range -40...+90°C With fixed wire end ferrule 4-poles coupling plug
Dimensions:	See fig
Weight:	Approx. 0.6 kg
Earth leakage resistance:	235 kOhm ±10%
Max. discharge voltage:	I max = 10A
Chemical resistance:	Oil and gasoline





# PROFI-LINE 106-1 GROUNDING CLAMPS

Zones 0, 1, 2, 20, 21, 22

Full catalogue available on our website: [www.inpratex.com](http://www.inpratex.com)

## ATEX GROUNDING CLAMPS

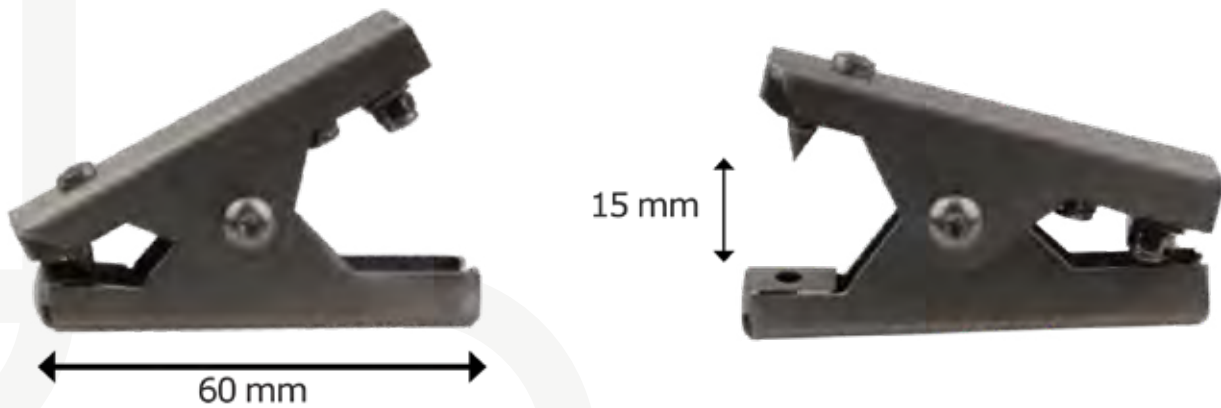
ZONES 0, 1, 2 (gas) & 20, 21, 22 (dust)

The grounding clamp PROFI-line 106-1 is suitable for all common applications in which the smallest components must be grounded. Due to the heavy design of the grounding clamp, it is also suitable for the roughest environmental conditions.

The stainless steel teeth are hardened and therefore particularly durable. When the grounding clamp is not in use, the teeth are protected by the existing relief holes in the clamp.



EU-Type Examination Certificate



These grounding clamps are especially made for discharging electrostatic charge from potentially endangered system parts. Sharp stainless steel teeth get through insulating layers such as paint, rust, dirt and grease thanks to the high pressure of the spring. In this way an effective “metal-to-metal” connection can be created and a safe grounding guaranteed.

- Hardened stainless steel teeth for long life.
- Approval for Zone 0 and Zone 20 according to Directive 2014/34/EU.
- All metallic parts are made of stainless steel.
- High contact pressure of the clamp, due to a strong spring.

### ITEM REFERENCES

Designation:	Item No.:
PROFI-line 106-1	6D0630

### TECHNICAL SPECIFICATIONS

Marking:	II 1G Ex h IIC T6 Gb II 1D Ex h IIIC T80°C Db
Certificate:	EU-Type Examination Certificate
Material:	Stainless steel 1.4310
Side length:	60 mm
Opening angle:	15 mm
Connection type:	1-core via M3 eyelet (max. 4mm <sup>2</sup> )
Stainless steel teeth:	Hardened, 2 pieces (mounted on one leg side)



# PROFI-LINE 114-1 GROUNDING CLAMPS

Zones 0, 1, 2, 20, 21, 22

Full catalogue available on our website: [www.inpratex.com](http://www.inpratex.com)

4



CONTROL & CONNECTION EQUIPMENT

## ATEX GROUNDING CLAMPS

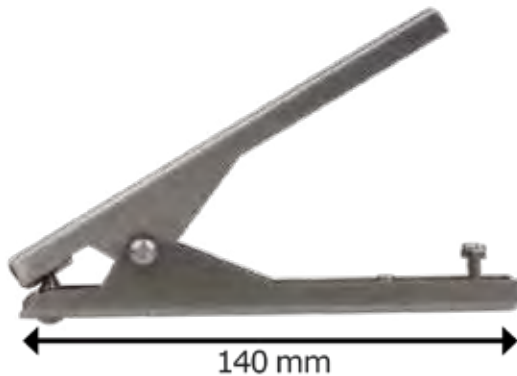
ZONES 0, 1, 2 (gas) & 20, 21, 22 (dust)

The grounding clamp PROFI-line 114-1 is suitable for all common applications, such as grounding of drums, containers and canisters. Due to the heavy design of the grounding clamp, it is also suitable for the roughest environmental conditions.

The built-in stainless steel teeth are hardened and therefore particularly durable. When the grounding clamp is not in use, the teeth are protected by the existing relief holes in the clamp.



EU-Type Examination Certificate



15 mm





These grounding clamps are especially made for discharging electrostatic charge from potentially endangered system parts. Sharp stainless steel teeth get through insulating layers such as paint, rust, dirt and grease thanks to the high pressure of the spring. In this way an effective “metal-to-metal” connection can be created and a safe grounding guaranteed.

- Hardened stainless steel teeth for long life.
- Approval for Zone 0 and Zone 20 according to Directive 2014/34/EU.
- All metallic parts are made of stainless steel.
- High contact pressure of the clamp, due to a strong spring.

### ITEM REFERENCES

Designation:	Item No.:
PROFI-line 114-1	6D0640

### TECHNICAL SPECIFICATIONS

Marking:	 II 1G Ex h IIC T6 Gb  II 1D Ex h IIIC T80°C Db
Certificate:	EU-Type Examination Certificate
Material:	Stainless steel 1.4310
Side length:	140 mm
Opening angle:	15 mm
Connection type:	1-core via M3 eyelet (max. 4mm <sup>2</sup> )
Stainless steel teeth:	Hardened, 2 pieces (mounted on one leg side)

# PROFI-LINE 123-1 GROUNDING CLAMPS

Zones 0, 1, 2, 20, 21, 22

Full catalogue available on our website: [www.inpratex.com](http://www.inpratex.com)

## ATEX GROUNDING CLAMPS

ZONES 0, 1, 2 (gas) & 20, 21, 22 (dust)

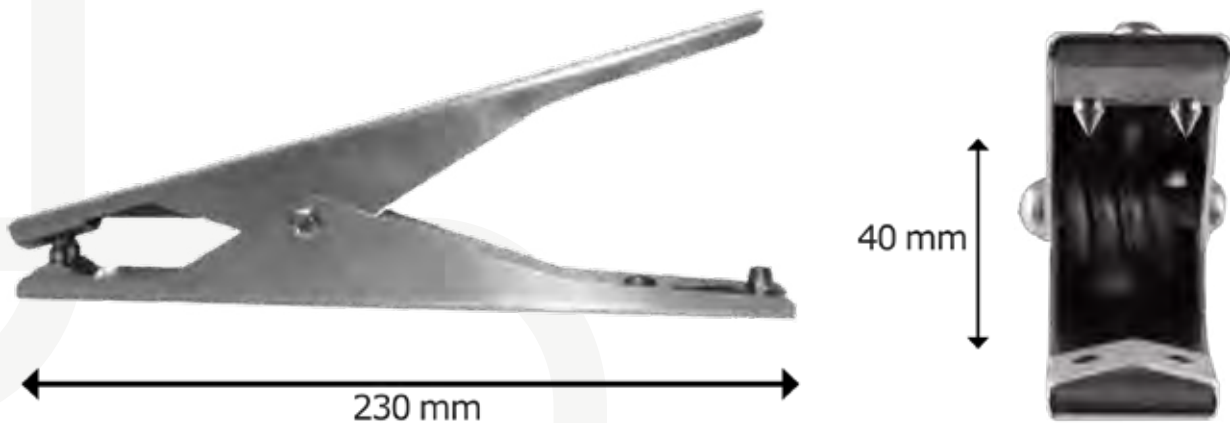
The grounding clamp PROFI-line 123-1 is suitable for all common and rough application areas, such as grounding of drums, containers and canisters, as well as grounding of trucks, trucks and IBCs. Due to the heavy design of the grounding clamp, it is also suitable for the roughest environmental conditions.

The built-in stainless steel teeth are hardened and therefore particularly durable. When the grounding clamp is not in use, the teeth are protected by the existing relief holes in the clamp.

Due to the generous design, this clamp can be operated perfectly even when wearing gloves.



EU-Type Examination Certificate



These grounding clamps are especially made for discharging electrostatic charge from potentially endangered system parts. Sharp stainless steel teeth get through insulating layers such as paint, rust, dirt and grease thanks to the high pressure of the spring. In this way an effective “metal-to-metal” connection can be created and a safe grounding guaranteed.

- Hardened stainless steel teeth for long life.
- Approval for Zone 0 and Zone 20 according to Directive 2014/34/EU.
- All metallic parts are made of stainless steel.
- High contact pressure of the clamp, due to a strong spring.

### ITEM REFERENCES

Designation:	Item No.:
PROFI-line 123-1	6D0650

### TECHNICAL SPECIFICATIONS

Marking:	II 1G Ex h IIC T6 Gb II 1D Ex h IIIC T80°C Db
Certificate:	EU-Type Examination Certificate
Material:	Stainless steel 1.4310
Side length:	230 mm
Opening angle:	40 mm
Connection type:	1-core via M8 eyelet (max. 10mm <sup>2</sup> )
Stainless steel teeth:	Hardened, 2 pieces (mounted on one leg side)



# PROFI-LINE 115-1 GROUNDING CLAMPS

Zones 0, 1, 2, 20, 21, 22

Full catalogue available on our website: [www.inpratex.com](http://www.inpratex.com)

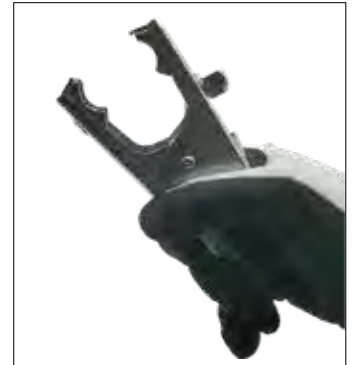
## ATEX GROUNDING CLAMPS

ZONES 0, 1, 2 (gas) & 20, 21, 22 (dust)



EU-Type Examination Certificate

The grounding clamp PROFI-line 115-1 is suitable for all common applications in which unpainted containers, BIG-BAGs, pipes or container handles must be grounded. Due to the heavy construction of the grounding clamp it is also suitable for roughest environmental conditions.





These grounding clamps are especially made for discharging electrostatic charge from potentially endangered system parts. Sharp stainless steel teeth get through insulating layers such as paint, rust, dirt and grease thanks to the high pressure of the spring. In this way an effective “metal-to-metal” connection can be created and a safe grounding guaranteed.

- Hardened stainless steel teeth for long life.
- Approval for Zone 0 and Zone 20 according to Directive 2014/34/EU.
- All metallic parts are made of stainless steel.
- High contact pressure of the clamp, due to a strong spring.

### ITEM REFERENCES

Designation:	Item No.:
PROFI-line 115-1 mZ (strain relief)	6D0620
PROFI-line 115-1 oZ (no strain relief)	6D0621

### TECHNICAL SPECIFICATIONS

Marking:	 II 1G Ex h IIC T6 Gb  II 1D Ex h IIIC T80°C Db
Certificate:	EU-Type Examination Certificate
Material:	Stainless steel 1.4310
Side length:	150 mm
Opening angle:	45 mm
Connection type:	1-pole via M8 eyelet (max 10mm <sup>2</sup> )
Stainless steel teeth:	Trident (mounting opposite)

# PROFI-LINE 115 KAIMAN GROUNDING CLAMPS

Zones 0, 1, 2, 20, 21, 22

Full catalogue available on our website: [www.inpratex.com](http://www.inpratex.com)

## ATEX GROUNDING CLAMPS

ZONES 0, 1, 2 (gas) & 20, 21, 22 (dust)

The grounding clamp PROFI-line 115-KAIMAN is suitable for all common and rough application areas, such as grounding of drums, containers and canisters as well as grounding of trucks.

Due to the heavy design of the grounding clamp, it is also suitable for the roughest environmental conditions.

Due to the particularly high spring force, the grounding clamp also bites through the thickest layers of paint.



EU-Type Examination Certificate



These grounding clamps are especially made for discharging electrostatic charge from potentially endangered system parts. Sharp stainless steel teeth get through insulating layers such as paint, rust, dirt and grease thanks to the high pressure of the spring. In this way an effective “metal-to-metal” connection can be created and a safe grounding guaranteed.

- Hardened stainless steel teeth for long life.
- Approval for Zone 0 and Zone 20 according to Directive 2014/34/EU.
- All metallic parts are made of stainless steel.
- High contact pressure of the clamp, due to a strong spring.

### ITEM REFERENCES

Designation:	Item No.:
PROFI-line 115-KAIMAN mZ (strain relief)	6D0660
PROFI-line 115-KAIMAN oZ (no strain relief)	6D0661

### TECHNICAL SPECIFICATIONS

Marking:	II 1G Ex h IIC T6 Gb II 1D Ex h IIIC T80°C Db
Certificate:	EU-Type Examination Certificate
Material:	Stainless steel 1.4310
Side length:	150 mm
Opening angle:	42 mm
Connection type:	1-core via M8 eyelet (max. 16mm <sup>2</sup> )
Stainless steel teeth:	Hardened, 2 pieces (mounted opposite)





# HM-ES HAND MAGNET

Zones 1, 2, 21, 22

Full catalogue available on our website: [www.inpratex.com](http://www.inpratex.com)

## ATEX GROUNDING CLAMPS

## ZONES 1, 2 (gas) & 21, 22 (dust)



The HM-ES hand magnet is the ideal solution when safe earthing of drums and containers is required, but the space for a normal earthing clamp is not available.

The flat-fitting housing can either be mounted on top of the drum lid by magnetic force or held on the side of the drum by magnetic force.

The two tips of the hand magnet connect to the painted base of the barrel by slight manual rubbing, thus establishing a secure connection to the good earth.

This magnet is designed as a simple earthing solution without monitoring.



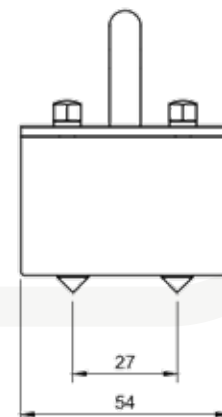
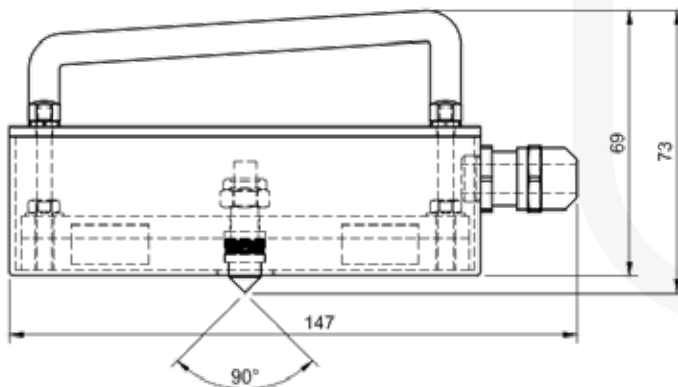
EU-Type Examination Certificate

### ITEM REFERENCES

Designation:	Item No.:
HM-ES with 1m smooth steel cable, green, 4mm <sup>2</sup>	6D0724
HM-ES with 3m smooth steel cable, green, 4mm <sup>2</sup>	6D0725
HM-ES with 5m smooth steel cable, green, 4mm <sup>2</sup>	6D0726
HM-ES with 1m plain steel cable, green/yellow, 4mm <sup>2</sup>	6D0727
HM-ES with 3m plain steel cable, green/yellow, 4mm <sup>2</sup>	6D0728
HM-ES with 5m plain steel cable, green/yellow, 4mm <sup>2</sup>	6D0729

### TECHNICAL SPECIFICATIONS

Marking:	II 2G Ex h IIB T6 Gb II 2D Ex h IIIB T80°C Db
Certificate:	EU-Type Examination Certificate
Material:	Stainless steel 1.4301 (V2A)
Dimensions:	147x54x73mm
Stainless steel teeth:	Hardened, 2 pieces
Scope of application:	Painted and unpainted containers with a volume over 50 litres



# SPIRAL CABLE, STEEL (1 CORE)

Full catalogue available on our website: [www.inpratex.com](http://www.inpratex.com)

## ATEX GROUNDING



For use in hazardous areas according to EN 60079-14.

The steel spiral cables offer superior mechanical strength.

The cable withstands continuous daily use and is extremely resistant to acids, alkalis, mineral oils, greases and other chemicals due to its cable coating.

These spiral cables meet all requirements of the standards EN 60079-0 and EN 60079-14 and may be used accordingly in potentially explosive atmospheres.

The spiral cables are free of silicone.

The cable ends can be assembled with eyelets at no extra charge.



### ITEM REFERENCES

Designation:	Cable colour:	Core:	Block length:	Item No.:
1m straight cable	Green	Steel-core	-	A179008
3m spiral cable	Green	Steel-core	160 mm	A173019
5m spiral cable	Green	Steel-core	260 mm	A173020
10m spiral cable	Green	Steel-core	600 mm	A173021
1m straight cable	Green/Yellow	Steel-core	-	A173010
3m spiral cable	Green/Yellow	Steel-core	160 mm	A173022
5m spiral cable	Green/Yellow	Steel-core	260 mm	A173023
10m spiral cable	Green/Yellow	Steel-core	600 mm	A173024

### TECHNICAL SPECIFICATIONS

Cable type:	ST-Li2Y
Cable colour:	Green or Green / Yellow
Cross section:	4 mm <sup>2</sup>
Wire type:	Steel cable
Ambient temperature:	-40°C...+80°C

4



CONTROL & CONNECTION EQUIPMENT

# SPIRAL CABLE, COPPER (1 CORE)

Full catalogue available on our website: [www.inpratex.com](http://www.inpratex.com)

4



CONTROL & CONNECTION EQUIPMENT

## ATEX GROUNDING

The copper spiral cables offer extremely high flexibility. The copper core used consists of 226 individual copper strands, which minimize the risk of cable breakage. The cable coating protects well against acids, alkalis, mineral oils, greases and other chemicals.

These spiral cables meet all requirements of the standards EN 60079-0 and EN 60079-14 and may be used accordingly in explosive areas.

The spiral cables are free of silicone. The cable ends can be assembled with eyelets at no extra charge.

For use in hazardous areas according to EN 60079-14.



### ITEM REFERENCES

Designation:	Cable colour:	Cross section:	Block length:	Item No.:
1m straight cable	Green/Yellow	4 mm <sup>2</sup>	-	A179010
1m spiral cable	Green/Yellow	4 mm <sup>2</sup>	100 mm	A416106
3m spiral cable	Green/Yellow	4 mm <sup>2</sup>	600 mm	A416123
5m spiral cable	Green/Yellow	4 mm <sup>2</sup>	1000 mm	A416107
10m spiral cable	Green/Yellow	4 mm <sup>2</sup>	2000 mm	A416108
1m spiral cable	Green/Yellow	2,5 mm <sup>2</sup> (according to TRGS 727)	100 mm	A179013
3m spiral cable	Green/Yellow	2,5 mm <sup>2</sup> (according to TRGS 727)	600 mm	A416332
5m spiral cable	Green/Yellow	2,5 mm <sup>2</sup> (according to TRGS 727)	1000 mm	A416333

### TECHNICAL SPECIFICATIONS

Cable type:	LIF11Y11Y, 226x0,15mm
Cable colour:	Green / Yellow
Cross section:	4 mm <sup>2</sup> / 2,5 mm <sup>2</sup>
Wire type:	Copper
Ambient temperature:	-40°C...+80°C

# REWINDING CABLE REELS FOR PASSIVE GROUNDING TYPE 601 KR/EW

Zones 1, 2, 21, 22

Full catalogue available on our website: [www.inpratex.com](http://www.inpratex.com)

## ATEX EARTHING SYSTEMS

ZONES 1, 2 (gas) & 21, 22 (dust)

The 601KR/EW rewinding cable reel is available in an impact-resistant aluminum casing and can hold a grounding cable of up to 12 m. For use without ground monitoring system in Zones 1, 2, 21 and 22. It is supplied with 70PK type clamp.

This reel is designed for wall mounting, but can also be swivel-mounted using a mounting bracket. A coupling plug can be used to easily connect the passive 70PK clamp with the coupling bushing of the grounding cable.



EU-Type Examination Certificate

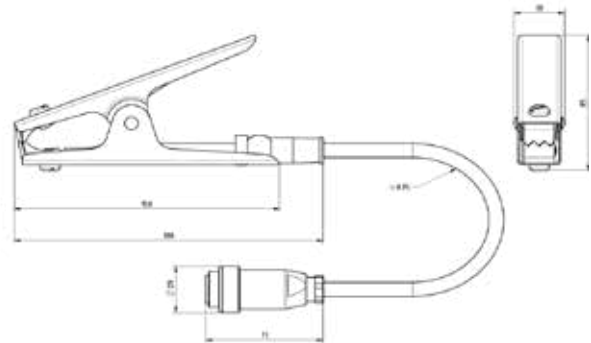


### ITEM REFERENCES

Designation:	Cable length:	Connection cable length:	Weight:	Item No.:
601KR/EW - 70PK	12 m	2,5 m	Approx. 6 kg	6D0701

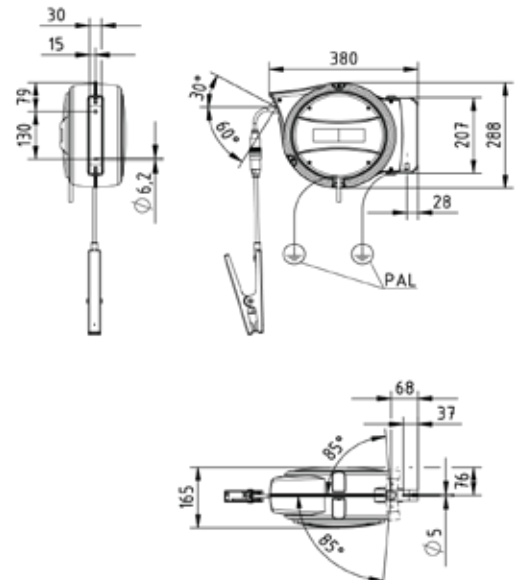
### 70 PK CLAMP TECHNICAL SPECIFICATIONS

Marking:	II 1G IIB T6 Ga, II 2G IIC T6 Gb, II 1D T80°C Da
Certificate:	EU-Type Examination Certificate
Clamp material:	Stainless steel
Operating temperature:	-20°C to +70°C
Ground cable: (color: orange)	Oil and gasoline resistant control lead, 3 x 1.5 mm <sup>2</sup> Temperature range -40...+90°C Connected 4-pin plug IP67
Dimensions:	See figure
Weight:	Approx. 0.29 kg
Clamping width:	35 mm
Clamping force:	100 N ±20%
Earth leakage resistance:	< 1 Ohm



### 601KR/EW CABLE REWINDER TECHNICAL SPECIFICATIONS

Marking:	II 2G Ex ia IIC T6 Gb II 2D Ex ia IIIC T135°C Db
Certificate:	EU-Type Examination Certificate
Enclosure:	Aluminium with rolls and stopper
Ingress protection:	IP42 according to EN 60529
Operating temperature:	-40°C to +70°C
Attachment:	Wall assembly via assembly bracket
Ground cable: (12 M)	Oil and gasoline resistant control lead, 3 x 1.5 mm <sup>2</sup> Temperature range -40...+90°C Connected 4-pin socket IP67
Connecting lead:	2.5 m, connecting cable 3 x 1,5 mm <sup>2</sup>
Dimensions:	See figure
Weight:	Approx. 5.7 kg with 12 m ground cable
Inductance:	Approx. 0.07 mH
Capacitance:	Approx. 1.6 nF



# REWINDING CABLE REELS FOR PASSIVE GROUNDING (1 CORE)

Zones 1, 2, 21, 22

Full catalogue available on our website: [www.inpratex.com](http://www.inpratex.com)

## ATEX EARTHING SYSTEMS

ZONES 1, 2 (gas) & 21, 22 (dust)

The use of grounding reels is particularly useful in places where exposed cables are not required. The extremely stable stainless steel housing of the grounding reels protects especially against external environmental impacts.

The used steel or stainless steel cables are twisted and of highest strength. The end of the cable is equipped with a rubber bumper to cushion unwanted retraction.

The cable ends can be assembled with eyelets at no extra charge.



Declaration of conformity



### ITEM REFERENCES

Designation:	Length:	Item No.:
Grounding reel type 1 with steel cable, blue coated, 2mm <sup>2</sup>	7 m	6D0720
Grounding reel type 2 with steel cable, blue coated, 2mm <sup>2</sup>	15 m	6D0721
Grounding reel type 3 with stainless steel cable, blank, 4mm <sup>2</sup> (Version for clean rooms, bare steel cable, no coating)	7 m	6D0722
Grounding reel type 4 with stainless steel cable, blank, 4mm <sup>2</sup> (Version for clean rooms, bare steel cable, no coating)	15 m	6D0723

### TECHNICAL SPECIFICATIONS

Marking:	II 2G Ex h IIC T6 Gb II 2D Ex h IIIC T80°C Db
Certificate:	Declaration of Conformity
Ambient temperature:	-40°C to +80°C
Material of the case:	Stainless steel V2A
Cable type:	Steel cable, blue coated or Stainless steel cable, blank
Cross section:	2,0 mm <sup>2</sup> / 4,0 mm <sup>2</sup>

The clamp storage provides the optimal hold for all grounding clamps and ensures that they are stored properly so that they do not lay on the floor. It is mounted using M6 screws.



### ACCESSORIES

Designation:	Item No.:
Clamp storage for wall mounting	6D0730



# REWINDING CABLE REELS FOR PASSIVE GROUNDING (1 CORE)

Zones 1, 2, 21, 22

Full catalogue available on our website: [www.inpratex.com](http://www.inpratex.com)

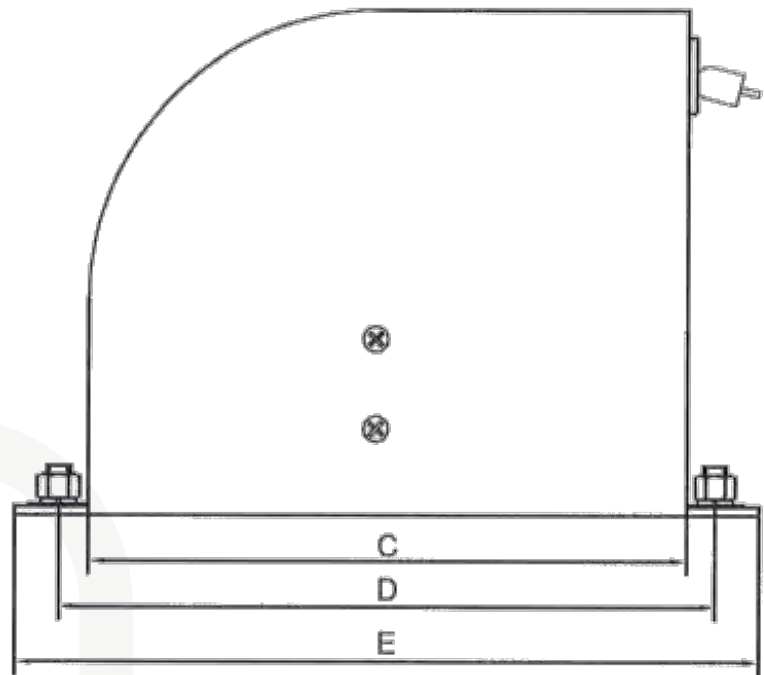
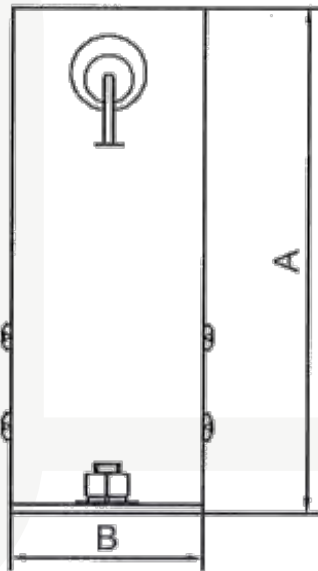
4



CONTROL & CONNECTION EQUIPMENT

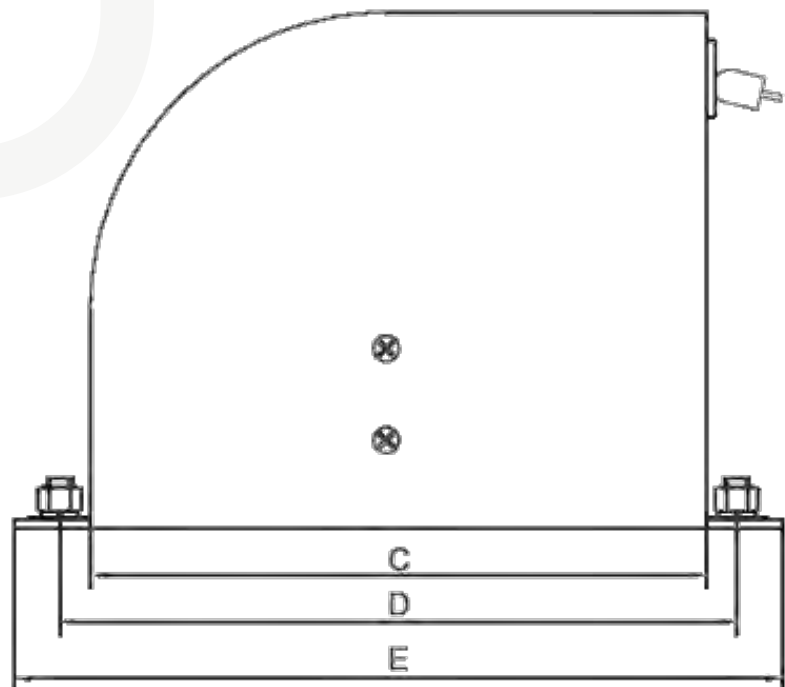
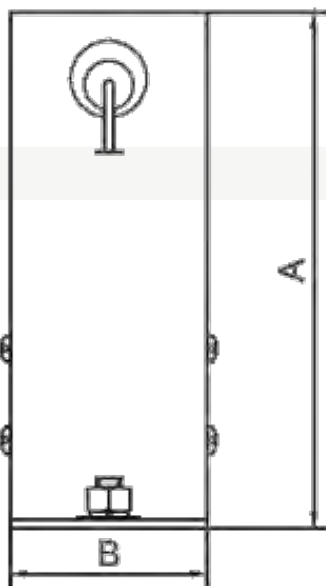
## DIMENSIONS TYPE 1, TYPE 3

Type:	A:	B:	C:	D:	E:
Type 1	170 mm	62,5 mm	168 mm	194 mm	210 mm
Type 3	170 mm	62,5 mm	168 mm	194 mm	210 mm



## DIMENSIONS TYPE 2, TYPE 4

Type:	A:	B:	C:	D:	E:
Type 2	231 mm	69,5 mm	226 mm	256 mm	276 mm
Type 4	231 mm	69,5 mm	226 mm	256 mm	276 mm



# ECS-R MONITORING SYSTEM

Zones 1, 2, 21, 22

Full catalogue available on our website: [www.inpratex.com](http://www.inpratex.com)

## ATEX EARTHING SYSTEMS

## ZONES 1, 2 (gas) & 21, 22 (dust)

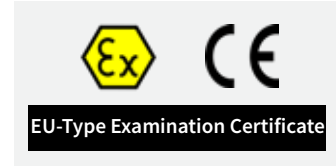


ECS-R series electronic equipment provides earth connection of process equipment (road tankers, drums, IBCs, etc..) with real-time ground connection monitoring. The system monitors that connection to earth is obtained with a resistance lower than  $10\Omega$ , according to the ATEX Directive 2014/34/EU.

The device can be equipped with two Ex i outputs for remote LEDs installed directly on the clamp (consensus green LED and non consensus red LED).

- Compact and rugged Ex-d enclosure suitable for ATEX Zone 1/21 installation

- Equipped with high efficiency redundant green and red LEDs for connection monitoring

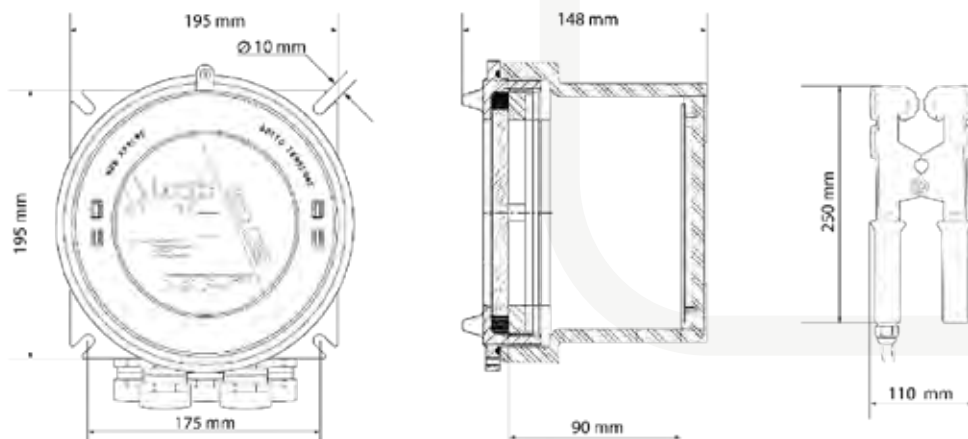


### ITEM REFERENCES

Designation:	SIL:	Spiral cable length:	Weight:	Item No.:
ECS-RF-SP5-IS1L-HK01	SIL 2	5 m	Approx. 6 kg	6D0902

### TECHNICAL SPECIFICATIONS

Marking:	II 2(1)G Ex d[ia Ga] IIC T6 Gb II 2(1)D Ex tb[ia Da] IIIC T85°C Db	
Certificate:	EU-Type Examination Certificate	
Operating temperature:	-20°C to +55°C	
Clamp input Ex i:	$U_0=7.2V$ , $I_0=345mA$ , $P_0=621mW$ , $C_0(IIC)=13.5\mu F$ , $L_0(IIC)=149\mu H$ , $L_0/R_0=860\mu H/\Omega$	
Output LED Ex i:	$U_0=7.2V$ , $I_0=23mA$ , $P_0=42mW$ , $C_0(IIC)=13.5\mu F$ , $L_0(IIC)=34\mu H$ , $L_0/R_0=860\mu H/\Omega$	
Power supply:	230 VAC $\pm$ 5%	
Standard cable:	6-wire spiral cable, according to IEC 60332-1-2	
R threshold:	10 $\Omega$	
Dimensions:	195 x 195 x 148 mm	
Potential free contact:	COM/NC/NO	
Cable entries:	5xM20x1,5 1 - Grounding clamp 2 - Grounding cable	3 - Redundancy ground wire 4 - Power cable 5 - Potential free contact cable (if not used, install the plug provided)



# CLP-CODE MONITORING SYSTEM

Zones 1, 2, 21, 22

Full catalogue available on our website: [www.inpratex.com](http://www.inpratex.com)

## ATEX EARTHING SYSTEMS

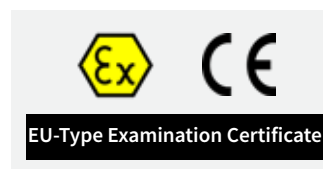
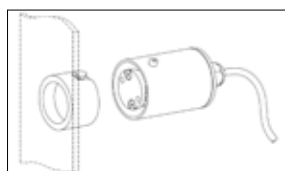
## ZONES 1, 2 (gas) & 21, 22 (dust)



The CLP-CODE device is part of the ECS for earthing connections of production machinery (dispensers, grinding mills, etc.).

Thanks to the mechanical coding, which makes it unique in this field of application, this equipment is able to detect if the connection to earth is obtained with a resistance to earth less or equal to 10  $\Omega$ .

The device is equipped with 2 LEDs (green and red) installed directly on board.



### ITEM REFERENCES

Designation:	Installed in:	Cable length:	Item No.:
CLP-CODE - ECS-RF-DIN - 5	Safe area	5 m	6D0903
CLP-CODE - ECS-RF-DIN - 10	Safe area	10 m	6D0904
CLP-CODE - ECS-RF - 5	Hazardous area	5 m	6D0905
CLP-CODE - ECS-RF - 10	Hazardous area	10 m	6D0906

The ECS-RF-DIN device provides n.1 channel signal conditioning for earth connection of process equipment (IBC, drums, roadtankers, etc.). The system detects in real-time if the connection to earth is obtained with a resistance less or equal to 10  $\Omega$ .

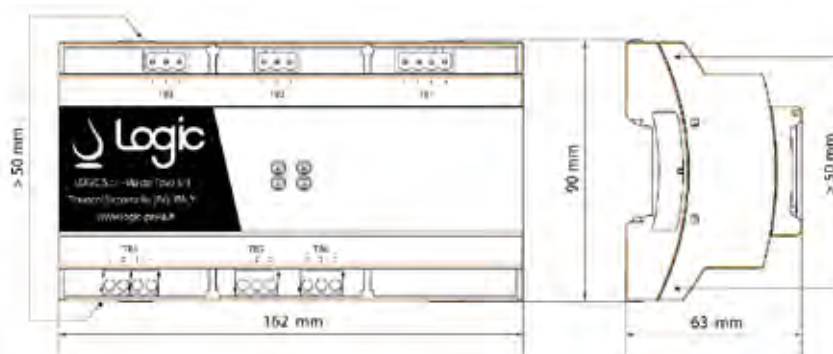
The device is equipped with SPST NO contact with a safety integrity level up to SIL2, according to EN 50495, and high-efficiency redundant green and red LEDs for earth connection monitoring.

- N.1 x SPDT contact for clamp state remote monitoring.
- N.1 x N.O. contact for safety applications up to SIL2.
- N.2 x intrinsically safe outputs for the clamp's remote LEDs.

### TECHNICAL SPECIFICATIONS ECS-RF-DIN (SAFE AREA)

Marking:	 
Certificate:	EU-Type Examination Certificate
Operating temperature:	-20°C to +70°C
Clamp input Ex i:	U <sub>0</sub> =7.2V, I <sub>0</sub> =345mA, P <sub>0</sub> =621mW, Co(IIC)=13.5 $\mu$ F, Lo(IIC)=149 $\mu$ H, Lo/Ro=860 $\mu$ H/ $\Omega$
Output LED Ex i:	U <sub>0</sub> =7.2V, I <sub>0</sub> =23mA, P <sub>0</sub> =42mW, Co(IIC)=13.5 $\mu$ F, Lo(IIC)=34 $\mu$ H, Lo/Ro=860 $\mu$ H/ $\Omega$
Power supply:	230 VAC $\pm$ 5%
Standard cable:	Extension cable CAB-ECS6C1.0
R threshold:	10 $\Omega$

Dimensions:



# CLP-CODE MONITORING SYSTEM




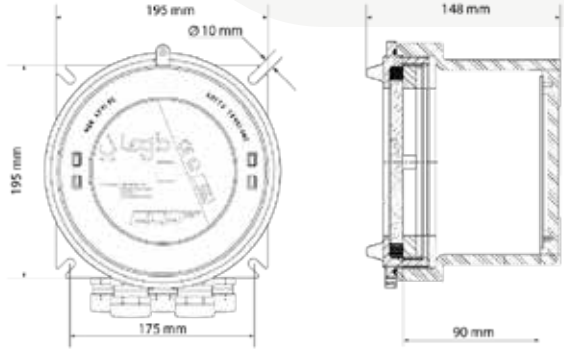
Zones 1, 2, 21, 22

Full catalogue available on our website: [www.inpratex.com](http://www.inpratex.com)

ECS-R series electronic equipment provides earth connection of process equipment (road tankers, drums, IBCs, etc..) with real-time ground connection monitoring. The system monitors that connection to earth is obtained with a resistance lower than 10Ω, according to the ATEX Directive 2014/34/EU.

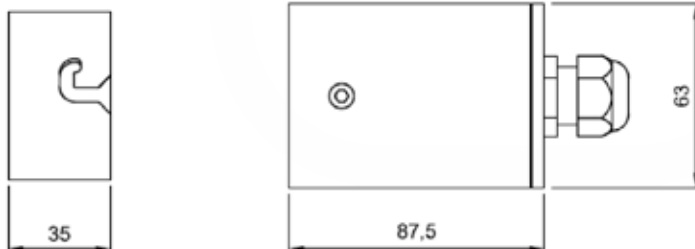
The device can be equipped with two Ex i outputs for remote LEDs installed directly on the clamp (consensus green LED and non consensus red LED).

## TECHNICAL SPECIFICATIONS ECS-RF (HAZARDOUS AREA)

Marking:	 II 2(1)G Ex d[ia Ga] IIC T6 Gb  II 2(1)D Ex tb[ia Da] IIIC T85°C Db	
Certificate:	EU-Type Examination Certificate	
Operating temperature:	-20°C to +55°C	
Clamp input Ex i:	U <sub>0</sub> =7.2V, I <sub>0</sub> =345mA, P <sub>0</sub> =621mW, C <sub>0</sub> (IIC)=13.5μF, L <sub>0</sub> (IIC)=149μH, L <sub>0</sub> /R <sub>0</sub> =860 μH/Ω	
Output LED Ex i:	U <sub>0</sub> =7.2V, I <sub>0</sub> =23mA, P <sub>0</sub> =42mW, C <sub>0</sub> (IIC)=13.5μF, L <sub>0</sub> (IIC)=34μH, L <sub>0</sub> /R <sub>0</sub> =860 μH/Ω	
Power supply:	230 VAC ± 5%	
Standard cable:	6-wire spiral cable, according to IEC 60332-1-2	
R threshold:	10 Ω	
Potential free contact:	COM/NC/NO 	
Cable entries:	5xM20x1,5 1 - Grounding clamp 2 - Grounding cable	3 - Redundancy ground wire 4 - Power cable 5 - Potential free contact cable (if not used, install the plug provided)
Dimensions:		

The CLP-CODE meets the requirements for application in ATEX Zone 1/21, connected to the monitoring systems of the ECS range.

## TECHNICAL SPECIFICATIONS CLP-CODE CLAMP

Area of use:	Up to ATEX Zone 1/21
Material:	Stainless steel AISI304
Operating temperature:	-20°C to +50°C
Contact:	Double steel alloy tip with carbonitriding treatment
Standard cable:	Spiral cable, 5/10m long, wire section 0,5 mm <sup>2</sup> , Ø8 mm
R threshold:	10 Ω
Dimensions:	

# EX-SYMEGA-VO EARTHING SYSTEM

Zones 1, 2, 21, 22

Full catalogue available on our website: [www.inpratex.com](http://www.inpratex.com)

## ATEX EARTHING SYSTEMS

ZONES 1, 2 (gas) & 21, 22 (dust)

4



CONTROL & CONNECTION EQUIPMENT

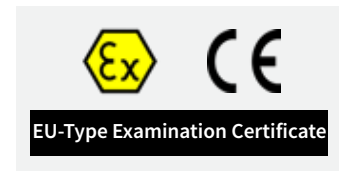


The earthing system Ex-SYMEGA-VO serves to avoid electrostatic charges in hazardous areas and ensures a secure connection of stationary and mobile, metallic or conductive and dissipative objects and a good earth.

This ATEX earthing system visualizes the presence of a good earth via green LED and, if connected, can enable or interrupt the subsequent process via potential-free changeover contacts.

The earthing system Ex-SYMEGA-VO can operate in two different variations:

Variation 1: Low-resistance measurement of 0...1 kOhm or 103 Ohm.  
Variation 2: High-resistance measurement of 0...3 MOhm or 3x106 Ohm.



### ITEM REFERENCES

Designation:	Item No.:
Ex-SYMEGA-VO Earthing System	6D0601
5m Spiral Cable, Blue, 2 Core	6D0602
PROFI-line 123-2 Earthing Clamp	6D0603

### TECHNICAL SPECIFICATIONS

Marking:	II (1) 2G Ex eb ia mb IIC T4 Gb II (1) 2D Ex ia tb T120°C Db
Certificate:	EU-Type Examination Certificate
Operating voltage:	AC 85V to 264V DC 8V to 28V
Maximum voltage:	AC 275V   DC 375V
Power consumption:	< 1W
Resistance Measurements:	Low: 0...1 kOhm or 103Ohm High: 0...3 MOhm or 3x106Ohm
2 Potential-free changeover contacts:	1NO + 1NC
Switching current per changeover contact (8V to 28V DC):	max. 2A
Switching current per changeover contact (85V to 264V AC):	max. 6A
Housing:	Aluminium
Housing dimensions:	220x122x90 mm
Housing seal:	EPDM (Silicone free)
Operating temperature:	-20°C to +40°C
Ingress protection:	IP64
Cable entries:	4 Plastic cable gland (non armoured cable). External diameter (5 - 9 mm)



# TERRALIGHT GROUND MONITORING SYSTEM

Zones 1, 2, 21, 22

Full catalogue available on our website: [www.inpratex.com](http://www.inpratex.com)

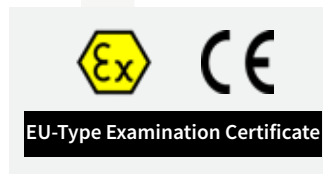
## ATEX EARTHING SYSTEMS

## ZONES 1, 2 (gas) & 21, 22 (dust)

The TERRALIGHT ground monitoring system is designed for use when filling or discharging potentially explosive materials. The system effectively eliminates any static charges. This system monitors the connection to the bonding conductor and the contact across the ground clamps. TERRALIGHT is designed for connecting one ground clamp or a cable re-winder fitted with ground clamp.



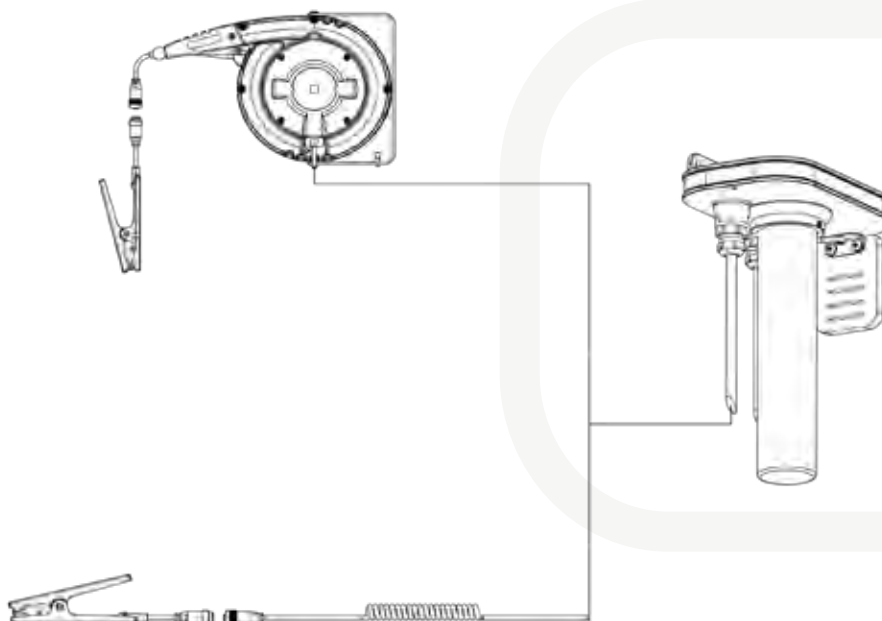
Option 1:  
TERRA-L Ground Monitoring System  
601KR/DW Cable Rewinder  
70AG Earthing Clamp



Option 2:  
TERRA-L Ground Monitoring System  
5m Helix Cable KG/BSA, blue  
70AG Earthing Clamp



ITEM REFERENCES OPTION 1		ITEM REFERENCES OPTION 2	
Designation:	Item No.:	Designation:	Item No.:
TERRA-L Ground Monitoring System	6D0801	TERRA-L Ground Monitoring System	6D0801
601KR/DW Cable Rewinder	6D0812	5m Helix Cable KG/BSA, blue	6D0813
70AG Earthing Clamp	6D0821	70AG Earthing Clamp	6D0821

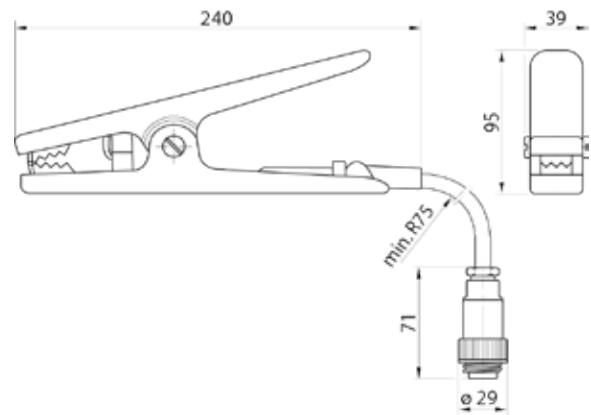


# TERRALIGHT GROUND MONITORING SYSTEM

Zones 1, 2, 21, 22

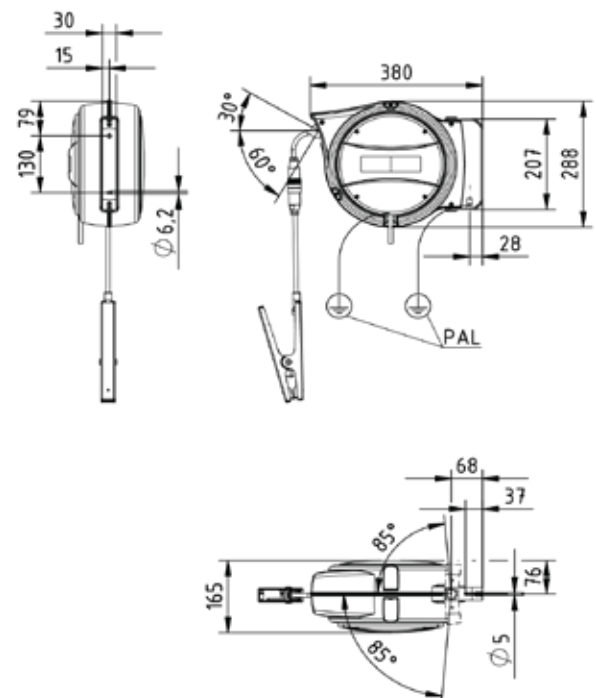
Full catalogue available on our website: [www.inpratex.com](http://www.inpratex.com)

70AG CLAMP TECHNICAL SPECIFICATIONS	
Marking:	II 2D Ex ia IIIC T135°C Db, II 2G Ex ia IIC T6 Gb
Certificate:	EU-Type Examination Certificate
Clamp material:	Stainless steel
Operating temperature:	-20°C to +70°C
Ground cable: (color: light blue)	Oil and gasoline resistant control lead, 3 x 1.5 mm <sup>2</sup> Temperature range -40...+90°C Connected 4-pin plug IP67
Dimensions:	See figure
Weight:	Approx. 0.6 kg



The ATEX cable rewinders of series 601KR/DW ensure that the ground cable is safely reeled back after use, protecting it from damage and dirt. These cable rewinders are made of impact-proof aluminum and are mounted with an assembly bracket.

All cable rewinders are designed for wall mounting and may be used in zones with potentially explosive atmospheres in connection with the ground monitoring system.



601KR/DW CABLE REWINDER FOR ACTIVE GROUNDING TECHNICAL SPECIFICATIONS	
Marking:	II 2G Ex ia IIC T6 Gb II 2D Ex ia IIIC T135°C Db
Certificate:	EU-Type Examination Certificate
Enclosure:	Aluminium with rolls and stopper
Rewind mechanism:	Automatic, Stopping device, On-Off function
Ingress protection:	IP42 according to EN 60529
Operating temperature:	-40°C to +70°C
Attachment:	Wall assembly via assembly bracket
Ground cable: (cable color: light blue)	12 m oil and gasoline resistant control lead, 3x1.5 mm <sup>2</sup> Temperature range -40...+90°C Connected 4-pin socket IP67
Connecting lead:	2.5 m, connecting cable 3x1,5 mm <sup>2</sup>
Dimensions:	See figure
Weight:	Approx. 5,7 kg with 12 m ground cable
Inductance:	Approx. 0.07 mH
Capacitance:	Approx. 1,6 nF

# TERRALIGHT GROUND MONITORING SYSTEM

Zones 1, 2, 21, 22

Full catalogue available on our website: [www.inpratex.com](http://www.inpratex.com)



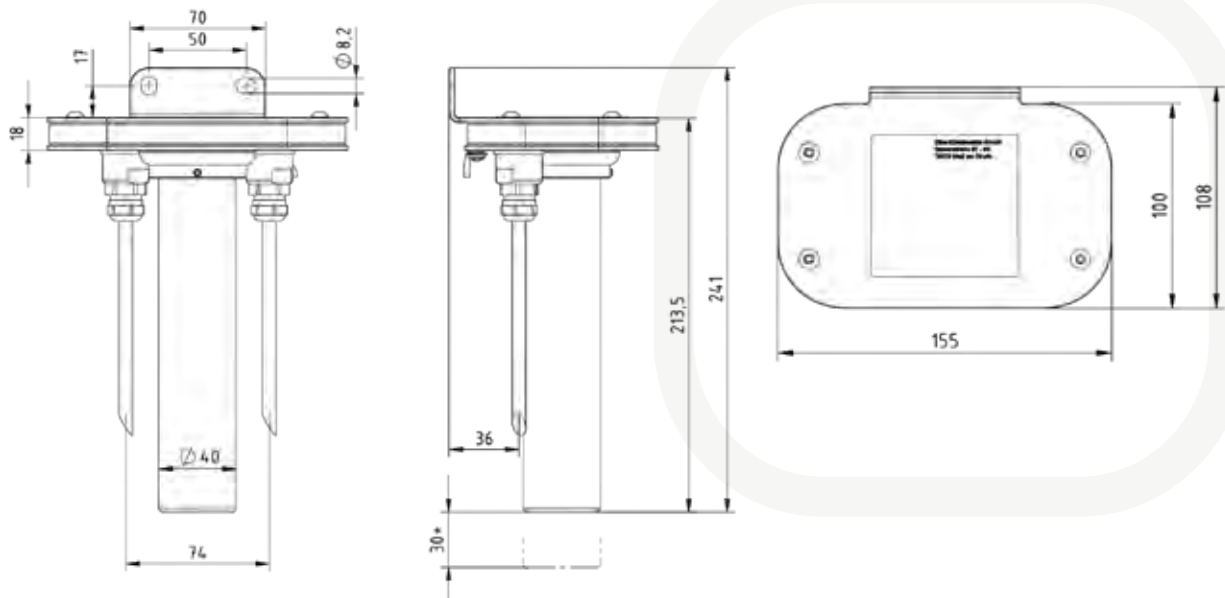
The controlled grounding principle used in the TERRALIGHT Ground Monitoring System ensures that static charges developing in potentially explosive atmospheres, e.g. during loading, discharging or refilling are safely avoided.

This means that the risk of ignition caused by uncontrolled static discharges is eliminated at source. Because the ground connection is monitored, there is no need for low-resistance ground connections or large conductor cross-sections.

The advantages of the TERRALIGHT ground monitoring system are:

- easy and fast assembly and installation
- power supply via batteries, no external power supply necessary
- Configuration of the LED display (flashing, frequency) to the application to optimize the battery life

TERRA-L TECHNICAL SPECIFICATIONS	
Marking:	II 1G Ex ia IIC T4 Ga II 1D Ex ia IIIC T135°C Da
Certificate:	EU-Type Examination Certificate
Supply voltage:	Supply via 3 x 1.5 V D cells. Yellow LEDs indicate a low battery voltage
Operating temperature:	-18°C to +50°C
Storage temperature:	-40°C to +80°C (without battery)
Ambient humidity:	Max. 80% r.h., non-dewing
Enclosure material:	Stainless steel with wall bracket
Ingress protection:	IP65 according to EN 60529
Dimensions:	240.5 x 155 x 108 mm
Weight:	1.75 kg
Measurement circuit:	Intrinsically safe according to EN 60079-11 Maximum voltage $U_0$ : 6.0 V DC   Maximum current $I_0$ : 0.25 A   Maximum output $P_0$ : 0.36 W Maximum permissible connected load capacity / inductance: $C_0$ : 1,49 $\mu$ F, $L_0$ : 630 $\mu$ H
Operating points:	ON <20 kOhm   OFF >50 kOhm / $\pm$ 20%
Permissible types of battery :	D cells - Duracell Plus Power MN 1300   ENERGIZER MAX LR20   ENERGIZER LR20 ALKALINE POWER









Although the information in this catalog is presented in good faith and believed to be correct at the time of printing, Inpratex makes no representations or warranties as to the completeness or accuracy of the information. All corrections made after printing the catalogue, and the updated data sheets, will be displayed on our website [www.inpratex.com](http://www.inpratex.com).

The purchaser accepts our General Conditions of Sale at the time of receipt of our confirmation and/or the acceptance of the ordered goods or services.





Polígono Industrial de Matsaria, 34  
20600 Eibar (Guipúzcoa) - Spain  
Phone: (+34) 943 530 095 | (+34) 943 530 482  
E-mail: [inpratex@inpratex.com](mailto:inpratex@inpratex.com)