



# CABLE GLANDS & INSTALLATION MATERIAL

34 - 1º B  
INPRATEX SL



Polígono Industrial de Matsaria, 34 · 20600 Eibar (Guipúzcoa) · Spain  
Phone: (+34) 943 530 095 | (+34) 943 530 482  
inpratex@inpratex.com

[www.inpratex.com](http://www.inpratex.com)

# EXPLOSION PROOF PRODUCTS AND SOLUTIONS FOR HAZARDOUS AREAS.

## Equipment supply, Engineering and Manufacturing.

Inpratex provides a wide range of custom-made products and solutions for different industries operating in hazardous and potentially explosive environments.



Inpratex SL is based in Eibar (Gipuzkoa, Spain). We are specialists in supplying equipment, in engineering and in the manufacture of products for industries working in Hazardous Areas.

Our engineering team provides solutions combining the limitations related to the use of the equipment with the potentially dangerous environment in which it must be used.

Inpratex supplies ATEX/IECEx equipment and custom-made solutions for manufacturing and process industries.





6

# CABLE GLANDS & INSTALLATION MATERIAL




Range of ATEX certified cable glands for maximum safety in hazardous areas of industrial sites. They guarantee a completely sealed connection avoiding dust, humidity and dirt in explosive atmospheres.

- Increased safety (e) and intrinsic safety (i) plastic cable glands for unarmoured cable installations.
- Brass, nickel-plated brass and stainless steel cable glands for armoured cable installations.
- ATEX-certified cable glands for use with Ex-d flameproof enclosures.

Plastic and metal stopping plugs for protection of additional cable entries in junction boxes and explosion-proof enclosures.

Metal adapters and reducers that provide a fitting solution between the cable inlet and the equipment when they have different threads.

<b>6.1 - CABLE GLANDS FOR ARMoured CABLE</b>	<b>6</b>
<b>6.2 - CABLE GLANDS FOR NON-ARMoured CABLE</b>	<b>12</b>
<b>6.3 - INSTALLATION MATERIAL</b>	<b>18</b>

A photograph of a large industrial facility, possibly a power plant or refinery, at dusk. The structure is complex, with multiple levels of scaffolding, pipes, and a central vertical tower. The sky is dark with some clouds, and the facility is illuminated by warm lights, creating a dramatic scene. The text '6.1' is overlaid on a semi-transparent grey box in the upper left corner.

6.1

# CABLE GLANDS FOR ARMOURED CABLE

# OS-E1UF CABLE GLAND - WIRE ARMoured CABLE

Zones 1, 2, 21, 22

Full catalogue available on our website: [www.inpratex.com](http://www.inpratex.com)

## ATEX CABLE GLANDS

ZONES 1, 2 (gas) & 21, 22 (dust)



ATEX certified double compression cable glands for use with any type of armoured cable

Manufactured in brass and nickel plated brass. Stainless steel on request.



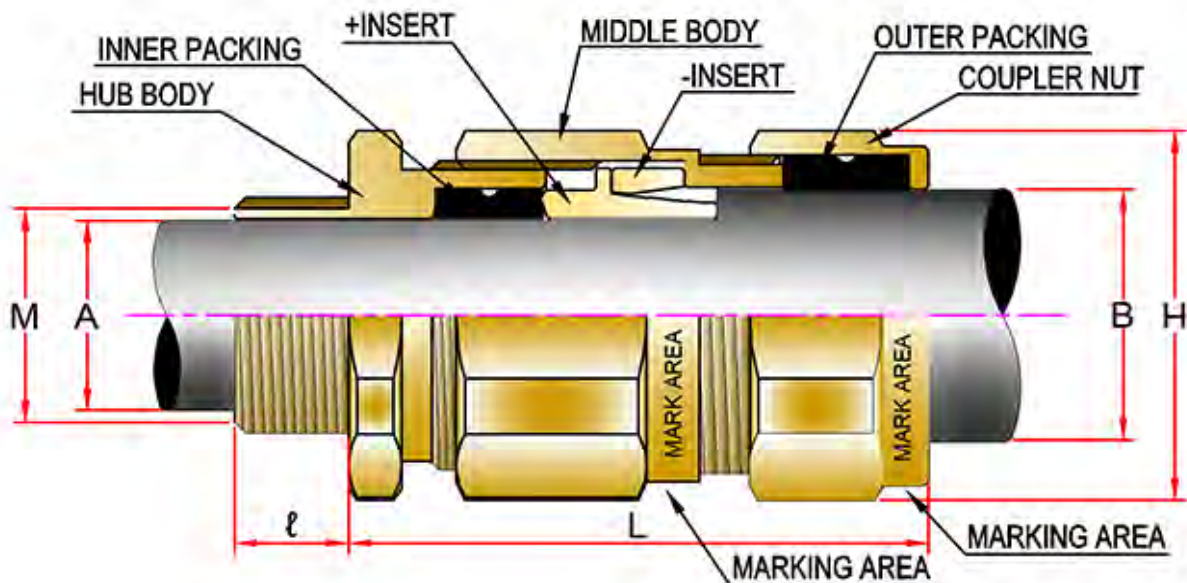
EU-Type Examination Certificate

### TECHNICAL SPECIFICATIONS

Marking:	II 2G Ex db IIC Gb II 2G Ex eb IIC Gb II 2D Ex tb IIIC Db
Certificate:	EU-Type Examination Certificate
Operating conditions:	Indoor / Outdoor
Material:	Brass, nickel plated brass Stainless steel (on request)
Protection class:	IP66/67
Operating temperature:	-60°C to +110°C

### ARMOUR

Single wire armoured SWA	W
Wire braided SWB	X
Aluminium strip armoured ASA	Y
Double steel tape armoured STA	Z



# OS-E1UF CABLE GLAND - WIRE ARMoured CABLE

Zones 1, 2, 21, 22

Full catalogue available on our website: [www.inpratex.com](http://www.inpratex.com)

## ITEM REFERENCES (METRIC)

Metric:	Inner A:		Outer B:		Thread Length (l):	Armour size		Hexagon Dimensions (H):	Weight (g):	Length (L):	Item No.:
	Mín.:	Máx.:	Mín.:	Máx.:		Wire:	Braid:				
M16x1,5	5	11,5	9	15,5	15	0,9~1,25	0,05 ~ 0,8	H25 x P27	137	56	7B0701
M20x1,5	5	11,5	9	15,5	15	0,9~1,25	0,05 ~ 0,8	H25 x P27	137	56	7B0702
M20x1,5	7,5	15,2	13,2	20,5	15	0,9~1,25	0,05 ~ 0,8	H31 x P34	212	63	7B0703B
M25x1,5	7,5	15,2	13,2	20,5	15	0,9~1,25	0,05 ~ 0,8	H31 x P34	212	63	7B0704B
M25x1,5	13	19,6	17	26	15	1,25~1,6	0,05 ~ 0,8	H37 x P40	325	68	7B0705
M32x1,5	16,5	26,2	24	33,5	15	1,6~2,0	0,05 ~ 1,2	H47 x P50	570	75	7B0706
M40x1,5	23	32,3	30	41,5	15	1,6~2,0	0,05 ~ 1,2	H56 x P60	876	83	7B0707
M50x1,5	29	41,5	38	50	15	1,8~2,5	0,05 ~ 1,2	H70 x P75	1445	89	7B0708
M63x1,5	39	50	45	60	15	1,8~2,5	0,05 ~ 1,2	H77 x P82	1740	98	7B0709
M63x1,5	46	55	55	66	15	1,8~2,5	0,05 ~ 1,2	H82 x P88	1907	98	7B0710
M75x1,5	52	61	58	72	20	1,8~2,5	0,05 ~ 1,2	H92 x P100	3270	109	7B0711
M75x1,5	59	67	66,1	79	20	1,8~2,5	0,05 ~ 1,2	H98 x P106	2912	109	7B0712
M90x2	66	80	72	90	25	1,8~3,0	0,05 ~ 1,6	H110 x P120	4600	111	7B0713
M100x2	76	90,5	84	101,5	25	1,8~3,0	0,05 ~ 1,6	H125 x P135	5500	123	7B0714
M115x2	88	102	100	116	25	1,8~3,0	0,05 ~ 1,6	H135 x P143	5500	123	7B0715

## ITEM REFERENCES (NPT)

NPT:	Inner A:		Outer B:		Thread Length (l):	Armour size		Hexagon Dimensions (H):	Weight (g):	Length (L):	Item No.:
	Mín.:	Máx.:	Mín.:	Máx.:		Wire:	Braid:				
1/2"	5	11,5	9	15,5	15	0,9~1,25	0,05 ~ 0,8	H25 x P27	137	56	7B0801
1/2"	7,5	15,2	13,2	20,5	15	0,9~1,25	0,05 ~ 0,8	H31 x P34	212	63	7B0802B
3/4"	7,5	15,2	13,2	20,5	16	0,9~1,25	0,05 ~ 0,8	H31 x P34	212	63	7B0803B
3/4"	13	19,6	17	26	16	1,25~1,6	0,05 ~ 0,8	H37 x P40	325	68	7B0804
1"	13	19,6	17	26	18	1,25~1,6	0,05 ~ 0,8	H37 x P40	325	68	7B0805
1"	16,5	26,2	24	33,5	18	1,6~2,0	0,05 ~ 1,2	H47 x P50	570	75	7B0806
1-1/4"	16,5	26,2	24	33,5	19	1,6~2,0	0,05 ~ 1,2	H47x P50	570	75	7B0807
1-1/4"	23	32,3	30	41,5	19	1,6~2,0	0,05 ~ 1,2	H56 x P60	876	83	7B0808
1-1/2"	23	32,3	30	41,5	21	1,6~2,0	0,05 ~ 1,2	H56 x P60	876	83	7B0809
1-1/2"	29	41,5	38	50	21	1,8~2,5	0,05 ~ 1,2	H70 x P75	1445	89	7B0810
2"	29	41,5	38	50	24	1,8~2,5	0,05 ~ 1,2	H70 x P75	1445	89	7B0811
2"	39	50	45	60	24	1,8~2,5	0,05 ~ 1,2	H77 x P82	1740	98	7B0812
2-1/2"	46	55	55	66	27	1,8~2,5	0,05 ~ 1,2	H82 x P88	1907	98	7B0814
2-1/2"	52	61	58	72	27	1,8~2,5	0,05 ~ 1,2	H92 x P100	3270	109	7B0815
3"	59	67	66,1	79	30	1,8~2,5	0,05 ~ 1,2	H98 x P106	2912	109	7B0817
3"	66	80	72	90	30	1,8~3,0	0,05 ~ 1,6	H110 x P120	4600	111	7B0818
3-1/2"	66	80	72	90	32	1,8~3,0	0,05 ~ 1,6	H110 x P120	4600	111	7B0819
3-1/2"	76	90,5	84	101,5	32	1,8~3,0	0,05 ~ 1,6	H125 x P135	5500	123	7B0820
4"	76	95,5	84	101,5	32	1,8~3,0	0,05 ~ 1,6	H125 x P135	5500	123	7B0821
4"	88	102	100	116	32	1,8~3,0	0,05 ~ 1,6	H135 x P143	5500	123	7B0822



# SEALING CABLE GLANDS FOR ARMoured CABLES

Zones 1, 2, 21, 22

Full catalogue available on our website: [www.inpratex.com](http://www.inpratex.com)

## ATEX CABLE GLANDS

ZONES 1, 2 (gas) & 21, 22 (dust)



ATEX certified sealing cable glands for explosion-proof Ex d enclosures.

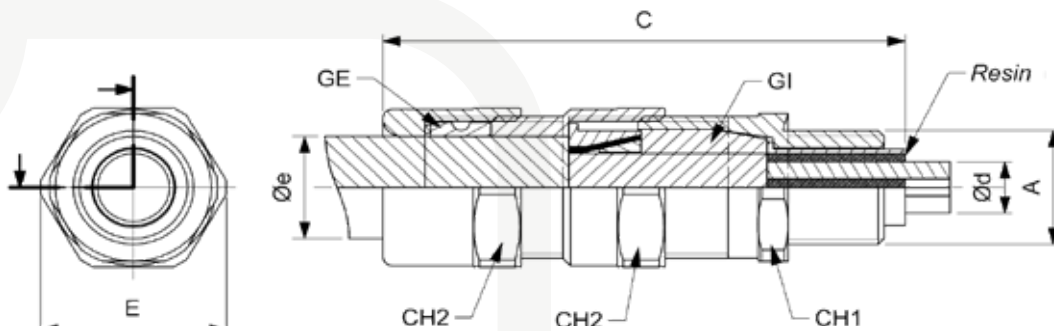
They need an internal airtight seal that prevents the transmission of an internal explosion.

Necessary when using Ex-d flameproof enclosures, with an internal volume greater than 2 litres in Zone 1, containing any source of ignition.



EU-Type Examination Certificate

### PMAX DIMENSIONS



### PMAX ITEM REFERENCES - METRIC

Metric:	C:	CH1:	CH2:	E:	GI:	Ød sheath:	GE:	Øe cable:	Weight:	Item No.:
M20x1,5	87	26	28	31	1GI1	4 - 7 mm	1GE1	6 - 10 mm	0,198 kg	7G0101
M20x1,5	87	26	28	31	1GI2	7 - 9,5 mm	1GE2	10 - 13 mm	0,198 kg	7G0102
M20x1,5	87	26	28	31	1GI3	9 - 12 mm	1GE3	13 - 18 mm	0,198 kg	7G0103
M25x1,5	87	31	34	37	2GI1	9 - 12 mm	2GE1	13 - 18 mm	0,262 kg	7G0104
M25x1,5	87	31	34	37	2GI2	12 - 14,5 mm	2GE2	13 - 18 mm	0,262 kg	7G0105
M25x1,5	87	31	34	37	2GI3	14 - 17 mm	2GE3	18 - 23 mm	0,262 kg	7G0106
M32x1,5	109	42	45	49	3GI1	14 - 17 mm	3GE1	18 - 23 mm	0,566 kg	7G0107
M32x1,5	109	42	45	49	3GI2	17 - 20 mm	3GE2	21 - 26 mm	0,566 kg	7G0108
M32x1,5	109	42	45	49	3GI3	20 - 23 mm	3GE3	24 - 30 mm	0,566 kg	7G0109
M40x1,5	109	46	48	53	4GI1	20 - 23 mm	4GE1	24 - 30 mm	0,624 kg	7G0110
M40x1,5	109	46	48	53	4GI2	23 - 26 mm	4GE2	29 - 35 mm	0,624 kg	7G0111
M40x1,5	109	46	48	53	4GI3	26 - 29 mm	4GE3	29 - 35 mm	0,624 kg	7G0112
M50x1,5	109	56	58	64	5GI1	20 - 23 mm	5GE1	26 - 31 mm	0,914 kg	7G0113
M50x1,5	109	56	58	64	5GI2	23 - 26 mm	5GE2	31 - 37 mm	0,914 kg	7G0114
M50x1,5	109	56	58	64	5GI3	26 - 29 mm	5GE3	31 - 37 mm	0,914 kg	7G0115
M50x1,5	109	56	58	64	5GI4	29 - 32 mm	5GE4	36 - 43 mm	0,914 kg	7G0116
M50x1,5	109	56	58	64	5GI5	32 - 35 mm	5GE5	36 - 43 mm	0,914 kg	7G0117
M63x1,5	109	65	68	75	6GI1	35 - 39 mm	6GE1	42 - 46 mm	1,087 kg	7G0118
M63x1,5	109	65	68	75	6GI2	39 - 42 mm	6GE2	45 - 49 mm	1,087 kg	7G0119
M63x1,5	109	65	68	75	6GI3	42 - 45 mm	6GE3	48 - 52 mm	1,087 kg	7G0120



# SEALING CABLE GLANDS FOR ARMoured CABLES

Zones 1, 2, 21, 22

Full catalogue available on our website: [www.inpratex.com](http://www.inpratex.com)

CABLE GLANDS & INSTALLATION MATERIAL

## PMAX ITEM REFERENCES - NPT

NPT:	C:	CH1:	CH2:	E:	GI:	Ød sheath:	GE:	Øe cable:	Weight:	Item No.:
1/2" NPT	87	26	28	31	1GI1	4 - 7 mm	1GE1	6 - 10 mm	0,198 kg	7G0201
1/2" NPT	87	26	28	31	1GI2	7 - 9,5 mm	1GE2	10 - 13 mm	0,198 kg	7G0202
1/2" NPT	87	26	28	31	1GI3	9 - 12 mm	1GE3	13 - 18 mm	0,198 kg	7G0203
3/4" NPT	87	31	34	37	2GI1	9 - 12 mm	2GE1	13 - 18 mm	0,262 kg	7G0204
3/4" NPT	87	31	34	37	2GI2	12 - 14,5 mm	2GE2	13 - 18 mm	0,262 kg	7G0205
3/4" NPT	87	31	34	37	2GI3	14 - 17 mm	2GE3	18 - 23 mm	0,262 kg	7G0206
1" NPT	109	42	45	49	3GI1	14 - 17 mm	3GE1	18 - 23 mm	0,566 kg	7G0207
1" NPT	109	42	45	49	3GI2	17 - 20 mm	3GE2	21 - 26 mm	0,566 kg	7G0208
1" NPT	109	42	45	49	3GI3	20 - 23 mm	3GE3	24 - 30 mm	0,566 kg	7G0209
1.1/4" NPT	109	46	48	53	4GI1	20 - 23 mm	4GE1	24 - 30 mm	0,624 kg	7G0210
1.1/4" NPT	109	46	48	53	4GI2	23 - 26 mm	4GE2	29 - 35 mm	0,624 kg	7G0211
1.1/4" NPT	109	46	48	53	4GI3	26 - 29 mm	4GE3	29 - 35 mm	0,624 kg	7G0212
1.1/2" NPT	109	56	58	64	5GI1	20 - 23 mm	5GE1	26 - 31 mm	0,914 kg	7G0213
1.1/2" NPT	109	56	58	64	5GI2	23 - 26 mm	5GE2	31 - 37 mm	0,914 kg	7G0214
1.1/2" NPT	109	56	58	64	5GI3	26 - 29 mm	5GE3	31 - 37 mm	0,914 kg	7G0215
1.1/2" NPT	109	56	58	64	5GI4	29 - 32 mm	5GE4	36 - 43 mm	0,914 kg	7G0216
1.1/2" NPT	109	56	58	64	5GI5	32 - 35 mm	5GE5	36 - 43 mm	0,914 kg	7G0217
2" NPT	109	65	68	75	6GI1	35 - 39 mm	6GE1	42 - 46 mm	1,087 kg	7G0218
2" NPT	109	65	68	75	6GI2	39 - 42 mm	6GE2	45 - 49 mm	1,087 kg	7G0219
2" NPT	109	65	68	75	6GI3	42 - 45 mm	6GE3	48 - 52 mm	1,087 kg	7G0220

## TECHNICAL SPECIFICATIONS


Marking:	 II 2G Ex d IIC / Ex e II  II 2D Ex tD A21
Certificate:	EU-Type Examination Certificate
Operating conditions:	Indoor / Outdoor
Material:	Nickel plated brass
Ingress protection:	IP66
Operating temperature:	-40°C to +100°C

## ACCESSORIES

Designation:	Item No.:
Bicomponent resin REPM-1 50 ml	7G0501
Manual applicator for 50 ml cartridges	7G0502





A photograph of a large industrial facility, possibly a refinery or chemical plant, at dusk. The structure is complex, with multiple levels of scaffolding, pipes, and a central vertical tower. The sky is a mix of blue and orange, suggesting sunset or sunrise. The facility is illuminated by various lights, some of which are bright and create a starburst effect. The overall scene is industrial and somewhat dramatic.

**6.2**

**CABLE GLANDS  
FOR NON-  
ARMOURED CABLE**

# EX E PLASTIC CABLE GLAND - NON-ARMoured CABLE

Zones 1, 2, 21, 22

Full catalogue available on our website: [www.inpratex.com](http://www.inpratex.com)

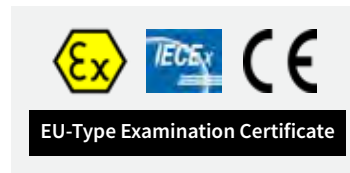
## ATEX CABLE GLANDS

ZONES 1, 2 (gas) & 21, 22 (dust)



Ex e plastic cable glands (black) and Ex i plastic cable glands (blue), valid for potentially explosive atmospheres.

For hazardous areas on oil platforms, in dangerous goods warehouses or in chemical industries we offer EX cable glands with various types of protection complying with ATEX or IECEx.



ITEM REFERENCES								
	Metric:	Type:	Cable diameter:		Length L:	Length TL:	Width SW:	Item No.:
			Min:	Max:				
	M12x1,5	HIBM	3	6,5	10	29-34	15	7A0201
	M16x1,5	HIBM	4	10	10	31-37	19	7A0202
	M20x1,5	ESKE/1	7	13	10	36-45	24	7A0102
	M25x1,5	ESKE/1	10	17	10	38-47	29	7A0103
	M32x1,5	ESKE/1	13	21	12	42-51	36	7A0104
	M40x1,5	ESKE/1	17	28	12	52-65	46	7A0105
	M50x1,5	ESKE/1	23	35	14	59-72	55	7A0106
	M63x1,5	ESKE/1	34	48	15	64-78	68	7A0107
	M12x1,5	HIBM	3	6,5	10	29-34	15	7A0301
	M16x1,5	HIBM	4	10	10	31-37	19	7A0302
	M20x1,5	ESKE/1	7	13	10	36-45	24	7A0109
	M25x1,5	ESKE/1	10	17	10	38-47	29	7A0110
	M32x1,5	ESKE/1	13	21	12	42-51	36	7A0111
	M40x1,5	ESKE/1	17	28	12	52-65	46	7A0112
	M50x1,5	ESKE/1	23	35	14	59-72	55	7A0113
	M63x1,5	ESKE/1	34	48	15	64-78	68	7A0114

TECHNICAL SPECIFICATIONS TYPE HIBM	
Marking:	II 2G Ex e IIC Gb II 2D Ex tb IIIC Db IP66/68
Certificate:	EU-Type Examination Certificate
Operating conditions:	Indoor / Outdoor
Material:	Polyamide
Protection class:	IP66 / IP68
Operating temperature:	-40°C to +70°C

TECHNICAL SPECIFICATIONS TYPE ESKE/1	
Marking:	II 2G Ex eb IIC Gb II 2D Ex tb IIIC Db
Certificate:	EU-Type Examination Certificate
Operating conditions:	Indoor / Outdoor
Material:	Gland Polyamide, Gasket EPDM
Protection class:	IP66 / IP68 (5 bar 30 min)
Operating temperature:	-40°C to +75°C

# OS-A2F-U CABLE GLAND - NON-ARMoured CABLE

Zones 1, 2, 21, 22

Full catalogue available on our website: [www.inpratex.com](http://www.inpratex.com)

## ATEX CABLE GLANDS

ZONES 1, 2 (gas) & 21, 22 (dust)



Flameproof & Increased Safety cable glands for use with non armoured cable.




Single compression.

Manufactured in brass and nickel plated brass. Stainless steel on request.



EU-Type Examination Certificate

### TECHNICAL SPECIFICATIONS

Marking:	 II 2G Ex db IIC Gb  II 2G Ex eb IIC Gb  II 2D Ex tb IIIC Db
Certificate:	EU-Type Examination Certificate
Operating conditions:	Indoor / Outdoor
Materials:	Brass, nickel plated brass and stainless steel (on request)
Ingress protection:	IP66/67
Operating temperature:	-60°C to +110°C

### ITEM REFERENCES (METRIC)

Metric:	Cable diameter:		Thread Length (l):	Hexagon Dimensions (H):	Weight (g):	Length (L):	Item No.:
	Min.:	Max.:					
M12x1,5	3	7	15	H24 x P26	72	29	7B0900
M16x1,5	3	7	15	H24 x P26	72	29	7B0901
M16x1,5	5	10,3	15	H24 x P26	72	29	7B0902
M20x1,5	3	7	15	H24 x P26	72	29	7B0903
M20x1,5	5	10,3	15	H24 x P26	72	29	7B0904
M20x1,5	9	15,3	15	H27 x P29	79	33	7B0905
M25x1,5	13	20	15	H32 x P34	108	33	7B0906
M32x1,5	17	26,5	15	H39 x P41,5	168	36	7B0907
M40x1,5	22	32	15	H48 x P51	272	38	7B0908
M50x1,5	30	42	15	H58 x P62	371	41	7B0909
M63x1,5	39	51	15	H73 x P78	720	44	7B0910
M63x1,5	46	55	15	H73 x P78	600	44	7B0911
M75x1,5	54	61	20	H85 x P90	950	48	7B0912
M75x1,5	58	68	20	H94 x P99	1070	49	7B0913
M90x2	66	78	25	H103 x P109	1480	53	7B0914
M100x2	77	89	25	H112 x P120	2250	54	7B0915
M115x2	88	101	25	H125 x P135	2400	54	7B0916

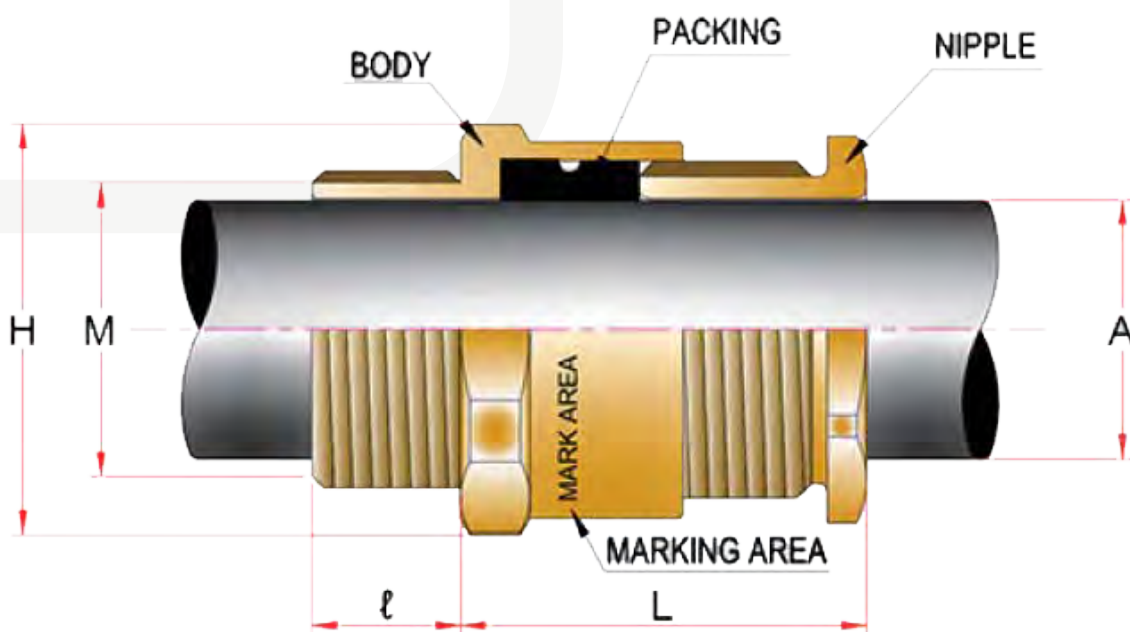
# OS-A2F-U CABLE GLAND - NON-ARMOURED CABLE

Zones 1, 2, 21, 22

Full catalogue available on our website: [www.inpratex.com](http://www.inpratex.com)

## ITEM REFERENCES (NPT)

NPT:	Cable diameter:		Thread Length (l):	Hexagon Dimensions (H):	Weight (g):	Length (L):	Item No.:
	Min.:	Max.:					
1/2"	3	7	15	H24 x P26	72	29	7B1001
1/2"	5	10,3	15	H24 x P26	72	29	7B1002
1/2"	9	15,3	15	H27 x P29	79	33	7B1003
3/4"	9	15,3	16	H27 x P29	79	33	7B1004
3/4"	13	20	16	H32 x P34	108	33	7B1005
1"	13	20	18	H32 x P34	108	33	7B1006
1"	17	26,5	18	H39 x P41,5	168	36	7B1007
1-1/4"	17	26,5	19	H39 x P41,5	168	36	7B1008
1-1/4"	22	32	19	H48 x P51	272	38	7B1009
1-1/2"	22	32	21	H48 x P51	272	38	7B1010
1-1/2"	30	42	21	H58 x P62	371	41	7B1011
2"	30	42	24	H58 x P62	371	41	7B1012
2"	39	51	24	H73 x P78	720	44	7B1013
2-1/2"	39	51	27	H73 x P78	720	44	7B1014
2-1/2"	46	55	27	H73 x P78	600	44	7B1015
2-1/2"	54	61	27	H85 x P90	950	48	7B1016
3"	54	61	30	H85 x P90	950	48	7B1017
3"	58	68	30	H94 x P99	1070	49	7B1018
3"	66	78	30	H103 x P109	1480	53	7B1019
3-1/2"	66	78	32	H103 x P109	1480	53	7B1020
3-1/2"	77	89	32	H112 x P120	2250	54	7B1021
4"	77	89	32	H112 x P120	2250	54	7B1022
4"	88	101	32	H125 x P135	2400	54	7B1023



# SEALING CABLE GLANDS FOR NON-ARMOURED CABLES

Zones 1, 2, 21, 22

Full catalogue available on our website: [www.inpratex.com](http://www.inpratex.com)

## ATEX CABLE GLANDS

ZONES 1, 2 (gas) & 21, 22 (dust)



ATEX certified sealing cable glands for explosion-proof Ex d enclosures.

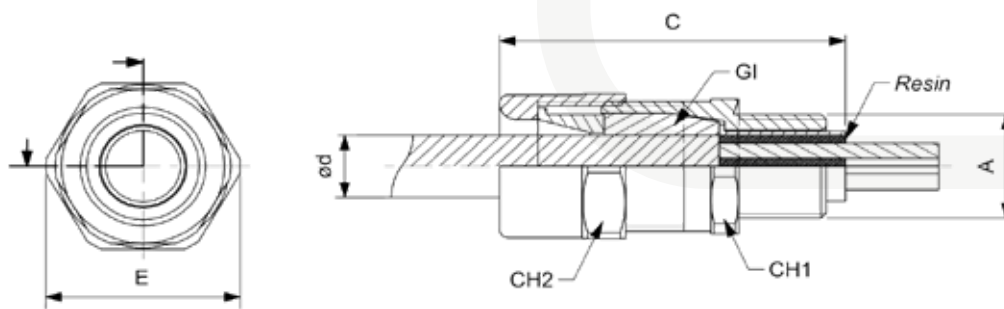
They need an internal airtight seal that prevents the transmission of an internal explosion.

Necessary when using Ex-d flameproof enclosures, with an internal volume greater than 2 litres in Zone 1, containing any source of ignition.



EU-Type Examination Certificate

### DIMENSIONS SERIE PMX



### PMX ITEM REFERENCES - METRIC

Metric:	C:	CH1:	CH2:	E:	GI:	Ød shealth:	Weight:	Item No.:
M20x1,5	63	26	28	31	1GI1	4 - 7 mm	0,142 kg	7G0301
M20x1,5	63	26	28	31	1GI2	7 - 9,5 mm	0,142 kg	7G0302
M20x1,5	63	26	28	31	1GI3	9 - 12 mm	0,142 kg	7G0303
M25x1,5	63	31	34	37	2GI1	9 - 12 mm	0,183 kg	7G0304
M25x1,5	63	31	34	37	2GI2	12 - 14,5 mm	0,183 kg	7G0305
M25x1,5	63	31	34	37	2GI3	14 - 17 mm	0,183 kg	7G0306
M32x1,5	78	42	45	49	3GI1	14 - 17 mm	0,405 kg	7G0307
M32x1,5	78	42	45	49	3GI2	17 - 20 mm	0,405 kg	7G0308
M32x1,5	78	42	45	49	3GI3	20 - 23 mm	0,405 kg	7G0309
M40x1,5	78	46	48	53	4GI1	20 - 23 mm	0,453 kg	7G0310
M40x1,5	78	46	48	53	4GI2	23 - 26 mm	0,453 kg	7G0311
M40x1,5	78	46	48	53	4GI3	26 - 29 mm	0,453 kg	7G0312
M50x1,5	79	56	58	64	5GI1	20 - 23 mm	0,685 kg	7G0313
M50x1,5	79	56	58	64	5GI2	23 - 26 mm	0,685 kg	7G0314
M50x1,5	79	56	58	64	5GI3	26 - 29 mm	0,685 kg	7G0315
M50x1,5	79	56	58	64	5GI4	29 - 32 mm	0,685 kg	7G0316
M50x1,5	79	56	58	64	5GI5	32 - 35 mm	0,685 kg	7G0317
M63x1,5	79	65	68	75	6GI1	35 - 39 mm	0,836 kg	7G0318
M63x1,5	79	65	68	75	6GI2	39 - 42 mm	0,836 kg	7G0319
M63x1,5	79	65	68	75	6GI3	42 - 45 mm	0,836 kg	7G0320





# SEALING CABLE GLANDS FOR NON-ARMOURED CABLES

Zones 1, 2, 21, 22

Full catalogue available on our website: [www.inpratex.com](http://www.inpratex.com)

PMX ITEM REFERENCES - NPT								
NPT:	C:	CH1:	CH2:	E:	GI:	Ød sheath:	Weight:	Item No.:
1/2" NPT	63	26	28	31	1GI1	4 - 7 mm	0,142 kg	7G0401
1/2" NPT	63	26	28	31	1GI2	7 - 9,5 mm	0,142 kg	7G0402
1/2" NPT	63	26	28	31	1GI3	9 - 12 mm	0,142 kg	7G0403
3/4" NPT	63	31	34	37	2GI1	9 - 12 mm	0,183 kg	7G0404
3/4" NPT	63	31	34	37	2GI2	12 - 14,5 mm	0,183 kg	7G0405
3/4" NPT	63	31	34	37	2GI3	14 - 17 mm	0,183 kg	7G0406
1" NPT	78	42	45	49	3GI1	14 - 17 mm	0,405 kg	7G0407
1" NPT	78	42	45	49	3GI2	17 - 20 mm	0,405 kg	7G0408
1" NPT	78	42	45	49	3GI3	20 - 23 mm	0,405 kg	7G0409
1.1/4" NPT	78	46	48	53	4GI1	20 - 23 mm	0,453 kg	7G0410
1.1/4" NPT	78	46	48	53	4GI2	23 - 26 mm	0,453 kg	7G0411
1.1/4" NPT	78	46	48	53	4GI3	26 - 29 mm	0,453 kg	7G0412
1.1/2" NPT	79	56	58	64	5GI1	20 - 23 mm	0,685 kg	7G0413
1.1/2" NPT	79	56	58	64	5GI2	23 - 26 mm	0,685 kg	7G0414
1.1/2" NPT	79	56	58	64	5GI3	26 - 29 mm	0,685 kg	7G0415
1.1/2" NPT	79	56	58	64	5GI4	29 - 32 mm	0,685 kg	7G0416
1.1/2" NPT	79	56	58	64	5GI5	32 - 35 mm	0,685 kg	7G0417
2" NPT	79	65	68	75	6GI1	35 - 39 mm	0,836 kg	7G0418
2" NPT	79	65	68	75	6GI2	39 - 42 mm	0,836 kg	7G0419
2" NPT	79	65	68	75	6GI3	42 - 45 mm	0,836 kg	7G0420

TECHNICAL SPECIFICATIONS	
Marking:	 II 2G Ex d IIC / Ex e II  II 2D Ex tD A21
Certificate:	EU-Type Examination Certificate
Operating conditions:	Indoor / Outdoor
Material:	Nickel plated brass
Ingress protection:	IP66
Operating temperature:	-40°C to +100°C

ACCESSORIES	
Designation:	Item No.:
Bicomponent resin REPM-1 50 ml	7G0501
Manual applicator for 50 ml cartridges	7G0502



6.3

# INSTALLATION MATERIAL



# OS-A2F-UH CABLE GLAND - HEAT TRACING/FLAT FORM CABLE

Zones 1, 2, 21, 22

Full catalogue available on our website: [www.inpratex.com](http://www.inpratex.com)

## ATEX CABLE GLANDS

ZONES 1, 2 (gas) & 21, 22 (dust)

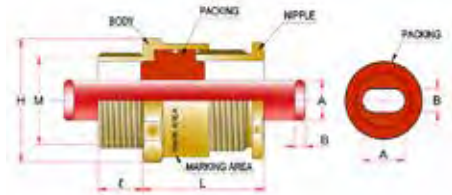


OS-A2F-UH is a hazardous area approved cable gland for use with all types of Flat-Form Unarmoured & Braid Armour Cables.

- Increased safety
- Suitable for heat tracing / Flat form cable
- Single compression



EU-Type Examination Certificate



6



CABLE GLANDS & INSTALLATION MATERIAL

### ITEM REFERENCES (METRIC)

Metric:	Cable dimensions:		Thread Length (l)-Min.:	Hexagon Dimensions:	Weight (g):	Length (L):	Item No.:
	A:	B:					
M20x1,5	12	5	15	H32 x P34	125	48	7B1501A
	13	6,5					7B1501B
	14	6					7B1501C
	15	6,5					7B1501D
	12	7,5					7B1501E
M25x1,5	12	5	15	H32 x P34	110	48	7B1502A
	13	6,5					7B1502B
	14	6					7B1502C
	15	6,5					7B1502D
	16,5	7					7B1502E
	12	7,5					7B1502F

### ITEM REFERENCES (NPT)

NPT:	Cable dimensions:		Thread Length (l)-Min.:	Hexagon Dimensions:	Weight (g):	Length (L):	Item No.:
	A:	B:					
1/2"	12	5	15	H32 x P34	125	48	7B1601A
	13	6,5					7B1601B
	14	6					7B1601C
	15	6,5					7B1601D
	12	7,5					7B1601E
3/4"	12	5	16	H32 x P34	110	48	7B1602A
	13	6,5					7B1602B
	14	6					7B1602C
	15	6,5					7B1602D
	16,5	7					7B1602E
	12	7,5					7B1602F

### TECHNICAL SPECIFICATIONS

Marking:	II 2G Ex eb IIC Gb II 2D Ex tb IIIC Db
Certificate:	EU-Type Examination Certificate
Operating temperature:	-60°C to +121°C
Ingress protection:	IP66
Operating conditions:	Indoor / Outdoor
Material:	Nickel plated brass
Gasket (washer):	Nylon
Packing:	Silicone

# OSER-Z EMC CABLE GLAND - SHIELDED/SCREENED CABLE

Zones 1, 2, 21, 22

Full catalogue available on our website: [www.inpratex.com](http://www.inpratex.com)

## ATEX CABLE GLANDS

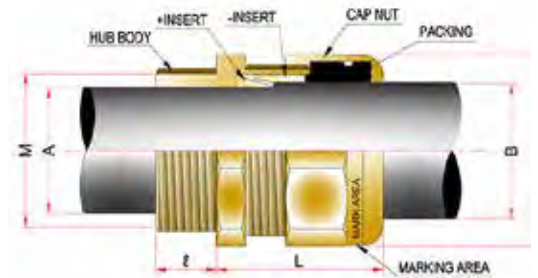
ZONES 1, 2 (gas) & 21, 22 (dust)

Nickel plated brass EMC cable glands to provide earth continuity for shielded and screened cables, where required. EMC is used within the automation, telecommunication and measurement and control technologies. Another industry that benefits from EMC glands is industrial machinery and industrial engineering.

- Outdoor & Indoor use
- EMC cable gland. (360° contact)
- Increased safety
- Single compression



EU-Type Examination Certificate



(\* in mm)

### ITEM REFERENCES (METRIC)

Metric:	Cable Diameter:		Thread Length (l):	Hexagon Dimensions:	Weight (g):	Length (L):	Item No.:
	Min.:	Max.:					
M20x1,5	9	16	15	H25 x P27	75	32	7B1101
M20x1,5	13	17,5	15	H31 x P33	130	36	7B1102
M25x1,5	9	16	15	H25 x P27	75	32	7B1103
M25x1,5	14	20	15	H31 x P33	130	36	7B1104

### ITEM REFERENCES (NPT)

NPT:	Cable Diameter:		Thread Length (l):	Hexagon Dimensions:	Weight (g):	Length (L):	Item No.:
	Min.:	Max.:					
1/2"	9	16	15	H25 x P27	75	32	7B1201
1/2"	13	17,5	15	H31 x P33	130	36	7B1202
3/4"	9	16	15	H25 x P27	75	32	7B1203
3/4"	14	20	16	H31 x P33	130	36	7B1204

### TECHNICAL SPECIFICATIONS

Marking:	II 2G Ex eb IIC Gb II 2D Ex tb IIIC Db
Certificate:	EU-Type Examination Certificate
Operating temperature:	-60°C to +130°C
Ingress protection:	IP66/67
Operating conditions:	Indoor / Outdoor
Material:	Nickel plated brass (standard), Brass (Only), Stainless steel (316L)
Gasket (washer):	Nylon
Packing:	Silicone

# OSBD BREATHER DRAIN

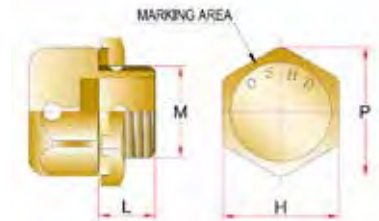
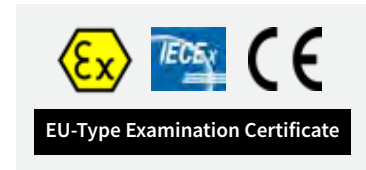
Zones 1, 2, 21, 22

Full catalogue available on our website: [www.inpratex.com](http://www.inpratex.com)

## ATEX INSTALLATION MATERIAL

ZONES 1, 2 (gas) & 21, 22 (dust)

The ATEX/IECEX OSBD breather drains enable pressure compensation between enclosures and surrounding atmosphere, thereby minimizing moisture build-up caused by temperature fluctuation and humid environments. Furthermore, they effectively drain any condensed water present within the device.



ITEM REFERENCES (METRIC)		
Metric:	Hexagon Dimensions:	Item No.:
M20x1,5	H25 x P28	7B1301
M25x1,5	H31 x P34	7B1302

ITEM REFERENCES (NPT)		
NPT:	Hexagon Dimensions:	Item No.:
1/2"	H25 x P28	7B1401
3/4"	H31 x P34	7B1402

TECHNICAL SPECIFICATIONS	
Marking:	II 2G Ex eb IIC Gb II 2D Ex tb IIIC Db
Certificate:	EU-Type Examination Certificate
Operating temperature:	-60°C to +110°C
Ingress protection:	IP66
Operating conditions:	Indoor / Outdoor
Material:	Nickel plated brass (standard), Brass (Only), Stainless steel (316L)
Gasket (washer):	PTFE (Teflon)
Filter:	Copper compressed metallic sinter

# EX E PLASTIC STOPPING PLUGS

Zones 1, 2, 21, 22

Full catalogue available on our website: [www.inpratex.com](http://www.inpratex.com)

**ATEX INSTALLATION MATERIAL**

**ZONES 1, 2 (gas) & 21, 22 (dust)**



Ex e plastic plugs valid for potentially explosive atmospheres.

The locking screws are used to close unused openings of electrical equipment of the “e” and “t” protection type.

Black colour (RAL 9005)



EU-Type Examination Certificate

## ITEM REFERENCES

	Metric:	Length L:	Length TL:	SW1:	SW2:	Item No.:
	M12x1,5	15	19	16	6	7C0100
	M16x1,5	15	19	20	8	7C0101
	M20x1,5	15	19	24	8	7C0102
	M25x1,5	15	20	29	8	7C0103
	M32x1,5	15	20	36	8	7C0104
	M40x1,5	15	20	46	8	7C0105
	M50x1,5	15	20	55	8	7C0106
	M63x1,5	15	20	68	8	7C0107

## TECHNICAL SPECIFICATIONS

Marking:	II 2G Ex eb IIC Gb II 2D Ex tb IIIC Db
Certificate:	EU-Type Examination Certificate
Operating conditions:	Indoor / Outdoor
Material:	Polyamide
Protection class:	IP68
Operating temperature:	-40°C to +75°C

# OSSP(H) STOPPING PLUGS, METAL

Zones 1, 2, 21, 22

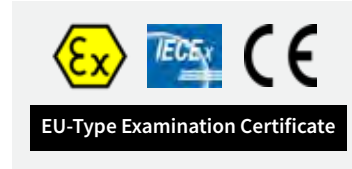
Full catalogue available on our website: [www.inpratex.com](http://www.inpratex.com)

**ATEX INSTALLATION MATERIAL**

**ZONES 1, 2 (gas) & 21, 22 (dust)**



Flameproof & Increased Safety stopping plugs, to block entries for maintenance of the flameproof and increased safety integrity of the equipment



Manufactured in brass and nickel plated brass.  
Stainless steel on request.

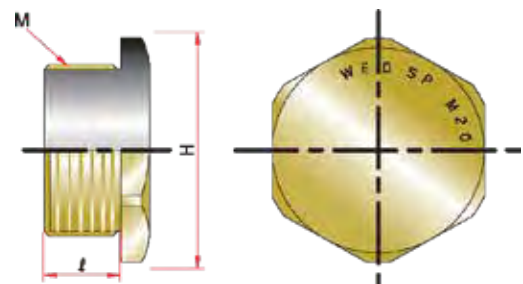
## ITEM REFERENCES

Metric:	Thread Length [ℓ]:	Hexagon/Round Dimensions (mm):	Weight (g):	Item No.:
M16x1,5	15	24/24	50	7D0101
M20x1,5	15	27/28	75	7D0102
M25x1,5	15	31/32	100	7D0103
M32x1,5	15	38/40	120	7D0104
M40x1,5	15	46/48	195	7D0105
M50x1,5	15	57/58	310	7D0106
M63x1,5	15	70/71	475	7D0107
M75x1,5	15	82/83	730	7D0108
M90x2	20	98/98	950	7D0109
M100x2	20	112/110	1285	7D0110

NPT:	Thread Length [ℓ]:	Hexagon/Round Dimensions (mm):	Weight (g):	Item No.:
1/2"	15	27/28	75	7D0111
3/4"	16	31/32	100	7D0112
1"	18	38/40	120	7D0113
1-1/4"	19	48/50	195	7D0114
1-1/2"	21	57/55	310	7D0115
2"	24	70/70	475	7D0116
2-1/2"	27	82/84	730	7D0117
3"	30	98/97	950	7D0118
3-1/2"	32	112/110	1285	7D0119
4"	32	125/120	1285	7D0120

## TECHNICAL SPECIFICATIONS

Marking:	II 2G Ex d IIC / Ex eb IIC Gb    II 2D Ex tb IIIC Db
Certificate:	EU-Type Examination Certificate
Operating conditions:	Indoor / Outdoor
Material:	Brass, nickel plated brass and stainless steel (on request)
Gasket (washer):	Nylon
Ingress protection:	IP66/67
Operating temperature:	-60°C to +110°C



# OSSP(R) STOPPING PLUGS, METAL (ON REQUEST)

Zones 1, 2, 21, 22

Full catalogue available on our website: [www.inpratex.com](http://www.inpratex.com)

**ATEX INSTALLATION MATERIAL**

**ZONES 1, 2 (gas) & 21, 22 (dust)**



Flameproof & Increased Safety stopping plugs, to block entries for maintenance of the flameproof and increased safety integrity of the equipment



EU-Type Examination Certificate

Manufactured in brass and nickel plated brass.  
Stainless steel on request.

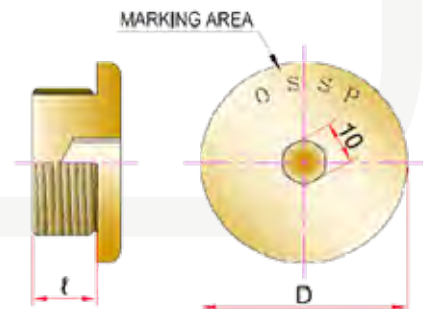
## ITEM REFERENCES (SUPPLIED ON REQUEST)

Metric:	Thread Length[ℓ]:	Hexagon/Round Dimensions (mm):	Weight (g):	Item No.:
M16x1,5	15	24/24	35	7D0201
M20x1,5	15	27/28	55	7D0202
M25x1,5	15	31/32	90	7D0203
M32x1,5	15	38/40	155	7D0204
M40x1,5	15	46/48	250	7D0205
M50x1,5	15	57/58	410	7D0206
M63x1,5	15	70/71	655	7D0207
M75x1,5	15	82/83	890	7D0208
M90x2	20	98/98	1150	7D0209
M100x2	20	112/110	1550	7D0210

NPT:	Thread Length[ℓ]:	Hexagon/Round Dimensions (mm):	Weight (g):	Item No.:
1/2"	15	27/28	55	7D0211
3/4"	16	31/32	90	7D0212
1"	18	38/40	155	7D0213
1-1/4"	19	48/50	250	7D0214
1-1/2"	21	57/55	410	7D0215
2"	24	70/70	655	7D0216
2-1/2"	27	82/84	890	7D0217
3"	30	98/97	1150	7D0218
3-1/2"	32	112/110	1550	7D0219
4"	32	125/120	1550	7D0220

## TECHNICAL SPECIFICATIONS

Marking:	II 2G Ex d IIC / Ex eb IIC Gb    II 2D Ex tb IIIC Db
Certificate:	EU-Type Examination Certificate
Operating conditions:	Indoor / Outdoor
Material:	Brass, nickel plated brass and stainless steel (on request)
Gasket (washer):	Nylon
Ingress protection:	IP66/67
Operating temperature:	-60°C to +110°C





# OSSP(T) STOPPING PLUGS, METAL (ON REQUEST)

Zones 1, 2, 21, 22

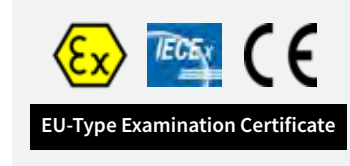
Full catalogue available on our website: [www.inpratex.com](http://www.inpratex.com)

**ATEX INSTALLATION MATERIAL**

**ZONES 1, 2 (gas) & 21, 22 (dust)**



Flameproof & Increased Safety stopping plugs, to block entries for maintenance of the flameproof and increased safety integrity of the equipment





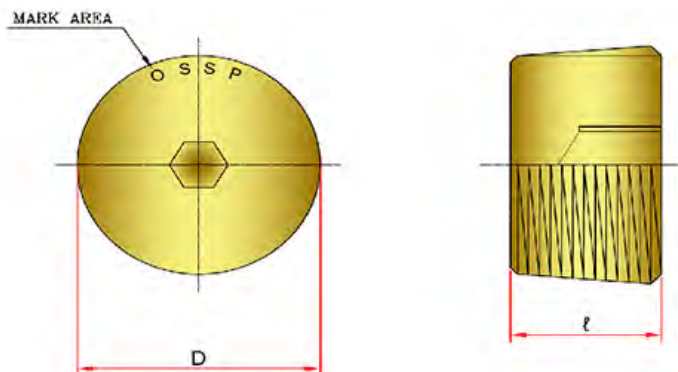
Manufactured in brass and nickel plated brass.  
Stainless steel on request.

## ITEM REFERENCES (SUPPLIED ON REQUEST)

NPT:	Thread Length[ℓ]:	Round Dimensions (mm):	Weight (g):	Item No.:
1/2"	15	28	30	7D0301
3/4"	16	32	55	7D0302
1"	18	40	100	7D0303
1-1/4"	19	50	160	7D0304
1-1/2"	21	55	265	7D0305
2"	24	70	430	7D0306
2-1/2"	27	84	650	7D0307
3"	30	97	920	7D0308
3-1/2"	32	110	1210	7D0309

## TECHNICAL SPECIFICATIONS

Marking:	 II 2G Ex d IIC / Ex eb IIC Gb  II 2D Ex tb IIIC Db
Certificate:	EU-Type Examination Certificate
Operating conditions:	Indoor / Outdoor
Material:	Brass, nickel plated brass and stainless steel (on request)
Gasket (washer):	Nylon
Ingress protection:	IP66/67
Operating temperature:	-60°C to +110°C



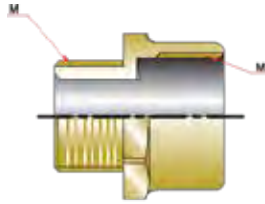
# OSAJ ADAPTORS

Zones 1, 2, 21, 22

Full catalogue available on our website: [www.inpratex.com](http://www.inpratex.com)

**ATEX INSTALLATION MATERIAL**

**ZONES 1, 2 (gas) & 21, 22 (dust)**



Flameproof & Increased Safety adaptors for use in hazardous areas.



EU-Type Examination Certificate

Part No Example : OSAJ 0809 (OSAJ, NPT 3" x NPT 3-1/2") => Please refer to the below table

OSAJ		ITEM REFERENCES																					
		Female thread size (M1)																					
		METRIC									NPT												
Male thread size (M)		M16	M20	M25	M32	M40	M50	M63	M75	M90	M100	3/8"	1/2"	3/4"	1"	1-1/4"	1-1/2"	2"	2-1/2"	3"	3-1/2"	4"	
		METRIC	M16	00	01	02	03							000	001	002	003						
	M20		11	12	13	14							101	102	103	104							
	M25			22	23	24	25								202	203	204	205					
	M32				33	34	35	36								303	304	305	306				
	M40					44	45	46	47								404	405	406	407			
	M50						55	56	57	58								505	506	507	508		
	M63							66	67	68	69							606	607	608	609		
	M75								77	78	79								707	708	709	710	
	M90									88	89									808	809	810	
	M100										99										909	910	
NPT	3/8"	000	001	002	003							0000	0001	0002	0003								110
	1/2"		011	012	013	014							0101	0102	0103	0104							
	3/4"			022	023	024	025								0202	0203	0204	0205					
	1"				033	034	035	036								0303	0304	0305	0306				
	1-1/4"					044	045	046	047								0404	0405	0406	0407			
	1-1/2"						055	056	057	058								0505	0506	0507	0508		
	2"							066	067	068	069								0606	0607	0608	0609	
	2-1/2"								077	078	079									0707	0708	0709	0710
	3"									088	089										0808	0809	0810
	3-1/2"											099										0909	0910
	4"																						1010

## TECHNICAL SPECIFICATIONS

Marking:	II 2G Ex db IIC Gb II 2G Ex eb IIC Gb II 2D Ex tb IIIC Db
Certificate:	EU-Type Examination Certificate
Operating conditions:	Indoor / Outdoor
Material:	Brass, nickel plated brass and stainless steel (on request)
Gasket (washer):	Nylon
Ingress protection:	IP66/67
Operating temperature:	-60° to +110°C

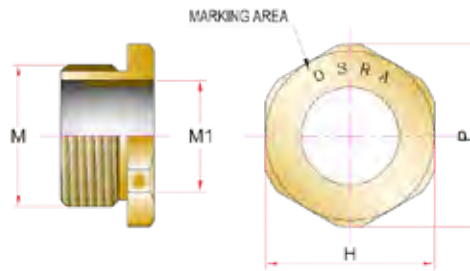
# OSRA REDUCERS

Zones 1, 2, 21, 22

Full catalogue available on our website: [www.inpratex.com](http://www.inpratex.com)

**ATEX INSTALLATION MATERIAL**

**ZONES 1, 2 (gas) & 21, 22 (dust)**



Flameproof & Increased Safety reducers for use in hazardous areas.



EU-Type Examination Certificate

Part No Example : OSRA20 (OSRA, M25 x M16) => Please refer to the below table

OSRA		ITEM REFERENCES																							
		Female thread size (M1)																							
		METRIC										NPT													
		M16	M20	M25	M32	M40	M50	M63	M75	M90	M100	3/8"	1/2"	3/4"	1"	1-1/4"	1-1/2"	2"	2-1/2"	3"	3-1/2"	4"			
Male thread size (M)	METRIC	M16																							
		M20	10										100												
		M25	20	21									200	201											
		M32	30	31	32								300	301	302										
		M40	40	41	42	43							400	401	402	403									
		M50	50	51	52	53	54						500	501	502	503	504								
		M63	60	61	62	63	64	65					600	601	602	603	604	605							
		M75		71	72	73	74	75	76						701	702	703	704	705	706					
		M90			82	83	84	85	86	87						802	803	804	805	806	807				
		M100				93	94	95	96	97	98						903	904	905	906	907	908			
Male thread size (M)	NPT	3/8"																							
		1/2"	010										0100												
		3/4"	020	021									0200	0201											
		1"	030	031	032								0300	0301	0302										
		1-1/4"	040	041	042	043							0400	0401	0402	0403									
		1-1/2"	050	051	052	053	054						0500	0501	0502	0503	0504								
		2"	060	061	062	063	064	065					0600	0601	0602	0603	0604	0605							
		2-1/2"		071	072	073	074	075	076						0701	0702	0703	0704	0705	0706					
		3"			082	083	084	085	086	087						0802	0803	0804	0805	0806	0807				
		3-1/2"				093	094	095	096	097	098						0903	0904	0905	0906	0907	0908			
4"					104	105	106	107	108	109						1004	1005	1006	1007	1008	1009				

## TECHNICAL SPECIFICATIONS

Marking:	II 2G Ex db IIC Gb, II 2G Ex eb IIC Gb II 2D Ex tb IIIC Db
Certificate:	EU-Type Examination Certificate
Operating conditions:	Indoor / Outdoor
Material:	Brass, nickel plated brass and stainless steel (on request)
Gasket (washer):	Nylon
Ingress protection:	IP66/67
Operating temperature:	-60° to +110°C

# OSSH SHROUD (ON REQUEST)

Full catalogue available on our website: [www.inpratex.com](http://www.inpratex.com)

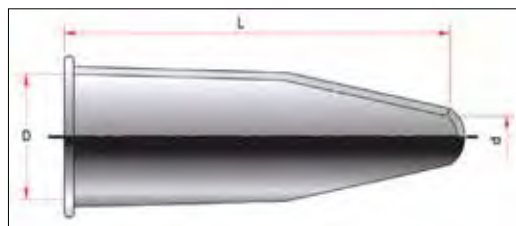
## INSTALLATION MATERIAL



Shrouds for fitting over cable glands when additional environmental conditions are required.

Material: CR70 (PCP)

For outdoor or indoor use.



### ITEM REFERENCES E1WF TYPE CABLE GLANDS (SUPPLIED ON REQUEST)

Type:	Size:	D	d	L
OSSH-A-16	16	28	6	93
OSSH-A-20	20	35	10	98
OSSH-A-25	25	40	14	102
OSSH-A-32	32	50	18	115
OSSH-A-40	40	60	24	124
OSSH-A-50	50	74	30	132
OSSH-A-63	63	89	38	152
OSSH-A-75	75	107	53	171
OSSH-A-90	90	121	72	175
OSSH-A-100	100	131	86	190

### ITEM REFERENCES OSNJ TYPE CABLE GLANDS (SUPPLIED ON REQUEST)

Type:	Size:	D	d	L
OSSH-B-16	16	24	4	52
OSSH-B-20	20	28	7	55
OSSH-B-25	25	32	12	59
OSSH-B-32	32	40	15	65
OSSH-B-40	40	50	21	71
OSSH-B-50	50	60	28	79
OSSH-B-63	63	78	30	111
OSSH-A-63	75	89	38	152
OSSH-A-75	90	107	53	171
OSSH-A-90	100	121	72	175

All dimensions in millimeters.

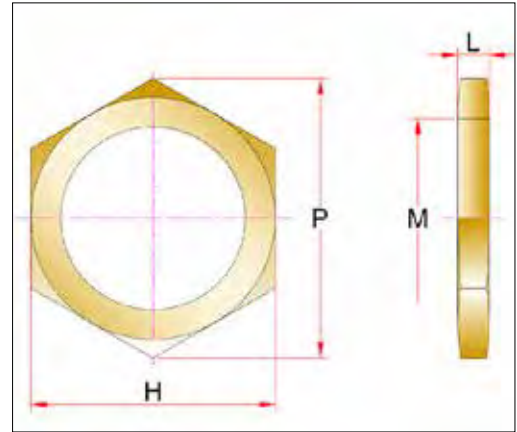
# OSLN LOCK NUT (ON REQUEST)

Full catalogue available on our website: [www.inpratex.com](http://www.inpratex.com)

## INSTALLATION MATERIAL

Lock nut designed for securing a cable gland in position of the equipment.

Material: Brass, Nickel plated brass, Stainless steel (316L)



### ITEM REFERENCES - METRIC THREAD (SUPPLIED ON REQUEST)

Size:	H	P	L
OSLN M16	22	25	4
OSLN M20	27	31	4
OSLN M25	32	36,5	4
OSLN M32	39	44,5	5
OSLN M40	48	55	5
OSLN M50	60	69	5
OSLN M63	73	84	6
OSLN M75	85	98	6
OSLN M90	102	117	10
OSLN M100	112	128	12
OSLN M115	125	144	12

### ITEM REFERENCES - NPT THREAD (SUPPLIED ON REQUEST)

Size:	H	P	L
OSLN 1/2"	27	31	4
OSLN 3/4"	32	36	4
OSLN 1"	39	45	5
OSLN 1-1/4"	48	55,5	5
OSLN 1-1/2"	60	67	5
OSLN 2"	73	87	6
OSLN 2-1/2"	85	98	6
OSLN 3"	102	119	10
OSLN 3-1/2"	112	126	12
OSLN 4"	125	144	12

All dimensions in millimeters.

# OSTW SERRATED WASHER / TEETH WASHER (ON REQUEST)

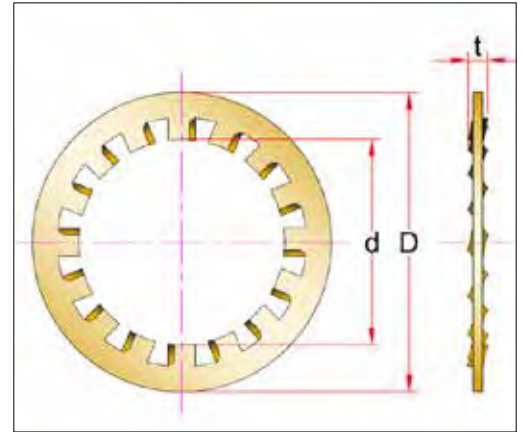
Full catalogue available on our website: [www.inpratex.com](http://www.inpratex.com)

## INSTALLATION MATERIAL

Serrated washer / Teeth washer for use on cable gland entry threads.

To dampen vibrations of the cable gland / equipment assembly which may loosen the cable gland or lock nut.

Stainless steel. Outdoor or indoor use.



### ITEM REFERENCES - METRIC THREAD (SUPPLIED ON REQUEST)

Size:	D	d	t
OSTW M16	26	17,5	2
OSTW M20	32	21,5	3
OSTW M25	38	27	3
OSTW M32	46	33,4	3,5
OSTW M40	57	42,4	3,5
OSTW M50	72	50,5	3,5
OSTW M63	87	64	4
OSTW M75	98	76	4
OSTW M90	113	91	4
OSTW M100	124	103	4
OSTW M115	140	116	4

### ITEM REFERENCES - NPT THREAD (SUPPLIED ON REQUEST)

Size:	D	d	t
OSTW 3/8"	26	17,5	2
OSTW 1/2"	32	21,5	3
OSTW 3/4"	38	27	3
OSTW 1"	46	33,4	3,5
OSTW 1-1/4"	57	42,4	3,5
OSTW 1-1/2"	72	50,5	3,5
OSTW 2"	87	64	4
OSTW 2-1/2"	98	76	4
OSTW 3"	113	91	4
OSTW 3-1/2"	124	103	4
OSTW 4"	140	116	4

All dimensions in millimeters.

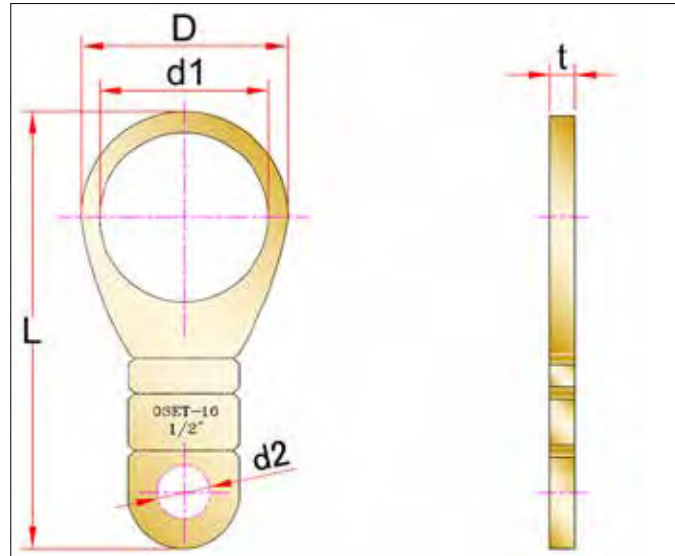
# OSET EARTH TAG (ON REQUEST)

Full catalogue available on our website: [www.inpratex.com](http://www.inpratex.com)

## INSTALLATION MATERIAL

Metallic earth tags for use with metallic cable glands to provide an earthing/bonding point.

Material: Brass, Nickel plated brass, Stainless steel (316L)



### ITEM REFERENCES - METRIC THREAD (SUPPLIED ON REQUEST)

Size:	D	d1	d2	t	L
OSET M16	1,5	17,5	7	1,5	59
OSET M20	1,5	21,5	7	1,5	72
OSET M25	1,5	27	7	1,5	82,4
OSET M32	44	33,4	8,6	1,5	99
OSET M40	54	42,4	8,6	1,5	112
OSET M50	67	50,5	8,6	1,5	125
OSET M63	80	64	8,6	1,5	154
OSET M75	97	76	14	1,5	163
OSET M90	110	91	14	1,5	178
OSET M100	120	103	14	1,5	195
OSET M115	130	116	14	1,5	208

### ITEM REFERENCES - NPT THREAD (SUPPLIED ON REQUEST)

Size:	D	d1	d2	t	L
OSET 3/8"	1,5	17,5	7	1,5	59
OSET 1/2"	1,5	21,5	7	1,5	72
OSET 3/4"	1,5	27	7	1,5	82,4
OSET 1"	44	33,4	8,6	1,5	99
OSET 1-1/4"	54	42,4	8,6	1,5	112
OSET 1-1/2"	67	50,5	8,6	1,5	125
OSET 2"	80	64	8,6	1,5	154
OSET 2-1/2"	97	76	14	1,5	163
OSET 3"	110	91	14	1,5	178
OSET 3-1/2"	120	103	14	1,5	195
OSET 4"	130	116	14	1,5	208

All dimensions in millimeters.





Although the information in this catalog is presented in good faith and believed to be correct at the time of printing, Inpratex makes no representations or warranties as to the completeness or accuracy of the information. All corrections made after printing the catalogue, and the updated data sheets, will be displayed on our website [www.inpratex.com](http://www.inpratex.com).

The purchaser accepts our General Conditions of Sale at the time of receipt of our confirmation and/or the acceptance of the ordered goods or services.





Polígono Industrial de Matsaria, 34  
20600 Eibar (Guipúzcoa) - Spain  
Phone: (+34) 943 530 095 | (+34) 943 530 482  
E-mail: [inpratex@inpratex.com](mailto:inpratex@inpratex.com)