

OSTW SERRATED WASHER / TEETH WASHER (ON REQUEST)

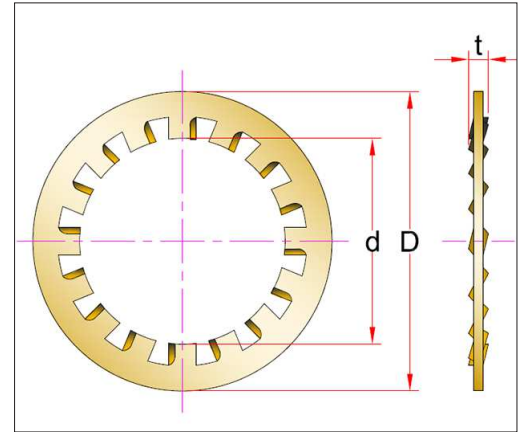
Full catalogue available on our website: www.inpratex.com

INSTALLATION MATERIAL

Serrated washer / Teeth washer for use on cable gland entry threads.

To dampen vibrations of the cable gland / equipment assembly which may loosen the cable gland or lock nut.

Stainless steel. Outdoor or indoor use.



ITEM REFERENCES - METRIC THREAD (SUPPLIED ON REQUEST)

Size:	D	d	t
OSTW M16	26	17,5	2
OSTW M20	32	21,5	3
OSTW M25	38	27	3
OSTW M32	46	33,4	3,5
OSTW M40	57	42,4	3,5
OSTW M50	72	50,5	3,5
OSTW M63	87	64	4
OSTW M75	98	76	4
OSTW M90	113	91	4
OSTW M100	124	103	4
OSTW M115	140	116	4

ITEM REFERENCES - NPT THREAD (SUPPLIED ON REQUEST)

Size:	D	d	t
OSTW 3/8"	26	17,5	2
OSTW 1/2"	32	21,5	3
OSTW 3/4"	38	27	3
OSTW 1"	46	33,4	3,5
OSTW 1-1/4"	57	42,4	3,5
OSTW 1-1/2"	72	50,5	3,5
OSTW 2"	87	64	4
OSTW 2-1/2"	98	76	4
OSTW 3"	113	91	4
OSTW 3-1/2"	124	103	4
OSTW 4"	140	116	4

All dimensions in millimeters.