

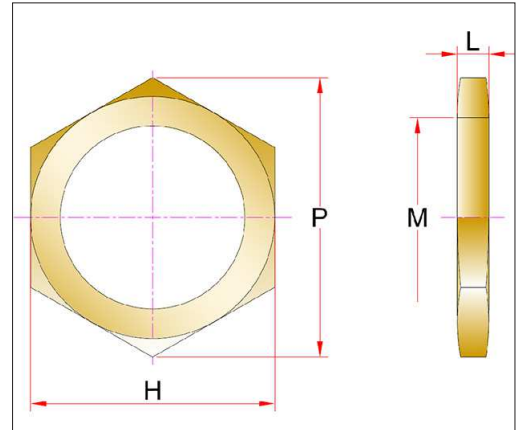
OSLN LOCK NUT (ON REQUEST)

Full catalogue available on our website: www.inpratex.com

INSTALLATION MATERIAL

Lock nut designed for securing a cable gland in position of the equipment.

Material: Brass, Nickel plated brass, Stainless steel (316L)



ITEM REFERENCES - METRIC THREAD (SUPPLIED ON REQUEST)

Size:	H	P	L
OSLN M16	22	25	4
OSLN M20	27	31	4
OSLN M25	32	36,5	4
OSLN M32	39	44,5	5
OSLN M40	48	55	5
OSLN M50	60	69	5
OSLN M63	73	84	6
OSLN M75	85	98	6
OSLN M90	102	117	10
OSLN M100	112	128	12
OSLN M115	125	144	12

ITEM REFERENCES - NPT THREAD (SUPPLIED ON REQUEST)

Size:	H	P	L
OSLN 1/2"	27	31	4
OSLN 3/4"	32	36	4
OSLN 1"	39	45	5
OSLN 1-1/4"	48	55,5	5
OSLN 1-1/2"	60	67	5
OSLN 2"	73	87	6
OSLN 2-1/2"	85	98	6
OSLN 3"	102	119	10
OSLN 3-1/2"	112	126	12
OSLN 4"	125	144	12

All dimensions in millimeters.

