

# TUBULAR LED LIGHT FITTINGS SERIES EVF..RUN

Zones 1, 2, 21, 22

Full catalogue available on our website: [www.inpratex.com](http://www.inpratex.com)

## LED LIGHT FITTINGS

ZONES 1, 2 (gas) & 21, 22 (dust)



The ATEX lighting fixtures series EVF..RUN for Ø 26 mm LED lamps are supplied completed with electronic ballast, starter and fuses interconnected. They are characterized by a tubular thermo-insulating borosilicate glass.

Supplied brackets can be used for ceiling installation.

External reflector (not included in the standard equipment) can be installed on site.

External screws are made of Stainless Steel.



EU-Type Examination Certificate

### ITEM REFERENCES

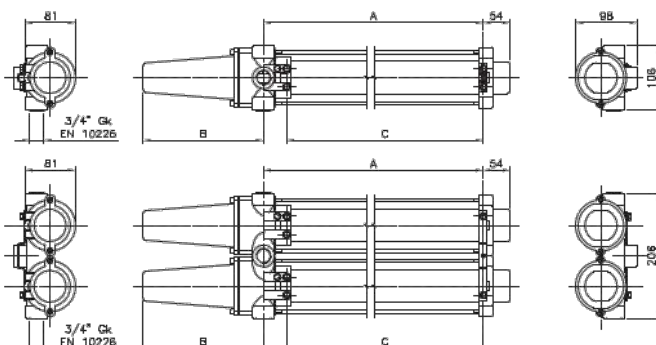
Designation:	Power:	Luminous flux:	Item No.:
EVFC..18RUNLT	1x7.6 W	800 lm	1A4601
EVFC 2..18RUNLT	2x7.6 W	1600 lm	1A4602
EVFC..36RUNLT	1x15 W	1800 lm	1A4603
EVFC 2..36RUNLT	2x15 W	3600 lm	1A4604

### TECHNICAL SPECIFICATIONS

Marking:	II 2G Ex d IIC T6-T4 Gb II 2D Ex tb IIIC T80°C-T130°C Db
Certificate:	EU-Type Examination Certificate
Housing:	Aluminium light alloy (RAL 9006)
Cover:	Tubular thermo-insulating borosilicate glass
Lamp:	Ø26 mm LED lamp with bipin plugs at 230 V (included)
Operating temperature:	-20°C to +40°C
Ingress protection:	IP66/67
Cable entries:	2x3/4" NPT (cable glands not included)

### ACCESSORIES

Designation:	Item No.:
External reflector for EVF 118	EVF 12/8
External reflector for EVF 218	EVF 22/8
External reflector for EVF 136	EVF 14/8
External reflector for EVF 236	EVF 24/8



### DIMENSIONS

CODE	A	B	C
EVFC..18RUNLT	610	205	573
EVFC 2..18RUNLT	610	205	573
EEVFC..36RUNLT	1210	205	1173
EVFC 2..36RUNLT	1210	205	1173