

# CONFIGURABLE STAINLESS STEEL JUNCTION BOXES

Zones 1, 2, 21, 22

Full catalogue available on our website: [www.inpratex.com](http://www.inpratex.com)

## ATEX JUNCTION BOXES

ZONES 1, 2 (gas) & 21, 22 (dust)

Custom configurable stainless steel ATEX junction boxes for installation in hazardous areas in zones 1, 2, 21 and 22.

The stainless steel enclosures are build in accordance to the individual request and will be equipped with terminals and cable glands.



EU-Type Examination Certificate



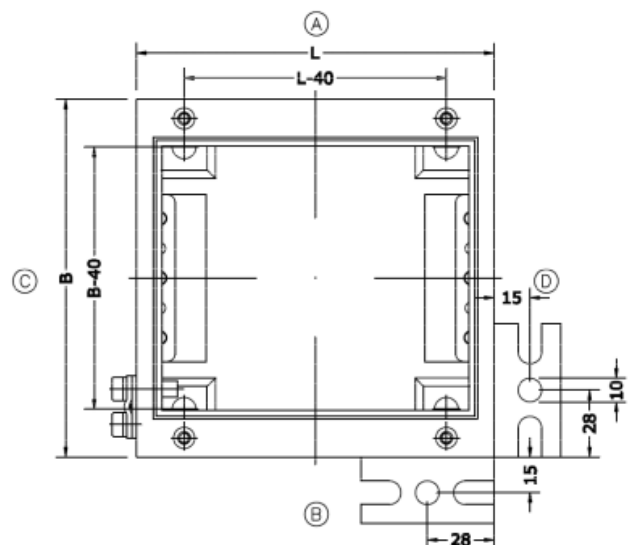
We don't supply empty "U" certified enclosures. These terminal boxes must be configured with the number of terminals and cable entries.

### STANDARD SIZES (SMALL BOXES)

Dimensions:	Maximum No. of terminals / current						Maximum No. of cable glands						
	2,5 mm <sup>2</sup>	4 mm <sup>2</sup>	6 mm <sup>2</sup>	10 mm <sup>2</sup>	16 mm <sup>2</sup>	35 mm <sup>2</sup>	M16x1,5 AB/CD	M20x1,5 AB/CD	M25x1,5 AB/CD	M32x1,5 AB/CD	M40x1,5 AB/CD	M50x1,5 AB/CD	M63x1,5 AB/CD
100x100x61 mm	10	0	0	0	0	0	3/2	2/1	1/0	0/0	0/0	0/0	0/0
150x150x81 mm	18	15	10	0	0	0	8/3	5/2	3/1	2/0	0/0	0/0	0/0
200x200x81 mm	25	20	15	12	0	0	12/3	7/2	4/1	3/0	2/0	0/0	0/0
300x200x81 mm	45	35	28	22	0	0	15/3	10/2	7/1	5/0	4/0	0/0	0/0
400x200x121 mm	62	51	38	31	25	0	30/9	27/6	17/3	14/2	7/1	5/1	3/1
300x300x121 mm	90	70	28	22	16	12	23/9	20/6	12/3	10/2	5/3	3/1	2/1

### TECHNICAL SPECIFICATIONS

Marking:	II 2G Ex e IIC T4/T6 Gb II 2(1)G Ex e[ia] IIC T6 Gb II 2D Ex tb IIIC T80°C
Certificate:	EU-Type Examination Certificate
Operating temperature:	-50°C to +60°C (Depending on the used components and heat disipation)
Material:	Stainless Steel 1.4301. Surface brushed (grain size 240)
Design:	Screwed lid
PE connection:	External, internal on base and lid
Ingress protection:	IP66
Accessories:	Wall mounting brackets



# CONFIGURABLE STAINLESS STEEL JUNCTION BOXES

Zones 1, 2, 21, 22

Full catalogue available on our website: [www.inpratex.com](http://www.inpratex.com)

4



CONTROL & CONNECTION EQUIPMENT

## ATEX JUNCTION BOXES

ZONES 1, 2 (gas) & 21, 22 (dust)

Stainless steel ATEX junction boxes ideal for the connection of cables up to 300mm<sup>2</sup> in hazardous areas in zones 1 and 21.

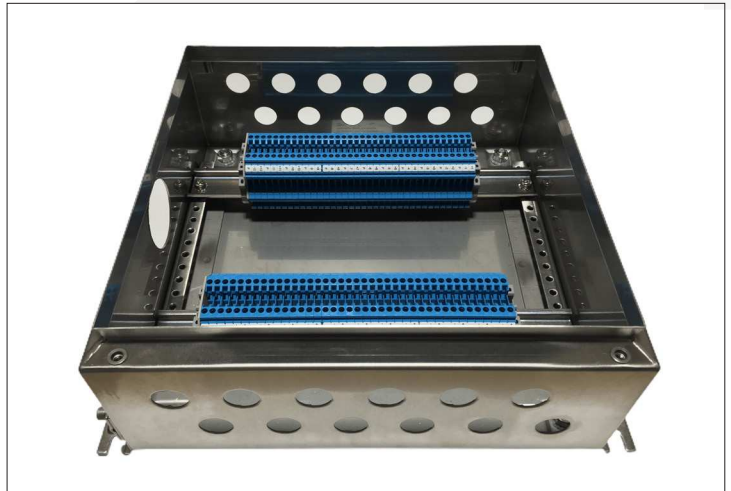
The stainless steel enclosures are build in accordance to the individual request and will be equipped with terminals and cable glands.

Maximum electrical connection data:

Rated voltage: 1100V

Rated current: 500A

**We don't supply empty "U" certified enclosures. These terminal boxes must be configured with the number of terminals and cable entries.**



### STANDARD SIZES (LARGE BOXES)

Dimensions:	Maximum No. of terminals / current*						Maximum No. of cable glands						
	35 mm <sup>2</sup>	70 mm <sup>2</sup>	95 mm <sup>2</sup>	120 mm <sup>2</sup>	185 mm <sup>2</sup>	300 mm <sup>2</sup>	M16 x1,5	M20 x1,5	M25 x1,5	M32 x1,5	M40 x1,5	M50 x1,5	M63 x1,5
300x300x200 mm	8/90	7/140	-	-	-	-	3/2	2/1	1/0	0/0	0/0	0/0	0/0
400x600x210 mm	18/65	16/100	14/120	13/145	-	-	8/3	5/2	3/1	2/0	0/0	0/0	0/0
600x400x210 mm	20/60	18/95	14/120	10/145	8/230	-	12/3	7/2	4/1	3/0	2/0	0/0	0/0
800x600x210 mm	54/40	32/75	26/120	24/115	10/220	10/285	15/3	10/2	7/1	5/0	4/0	0/0	0/0
1000x800x300 mm	72/40	46/75	36/120	34/115	13/230	13/290	30/9	27/6	17/3	14/2	7/1	5/1	3/1
1200x1000x400 mm	93/40	90/60	48/120	44/115	34/230	17/290	23/9	20/6	12/3	10/2	5/3	3/1	2/1

\*Maximum current at Ta = 40°C.

### TECHNICAL SPECIFICATIONS

Marking:	  
Certificate:	EU-Type Examination Certificate
Operating temperature:	-50°C to +60°C (Depending on the used components and heat disipation)
Material:	Stainless Steel 1.4301 (V2A) or 1.4404. Surface brushed (grain size 240)
Lid screws:	Stainless Steel
PE connection:	External, internal on base and lid
Rated voltage:	max. 1100V
Rated current:	max. 500A
Ingress protection:	IP66
Accessories:	Wall mounting brackets

