

SEALING CABLE GLANDS FOR NON-ARMOURED CABLES

Zones 1, 2, 21, 22

Full catalogue available on our website: www.inpratex.com

ATEX CABLE GLANDS

ZONES 1, 2 (gas) & 21, 22 (dust)



ATEX certified sealing cable glands for explosion-proof Ex d enclosures.

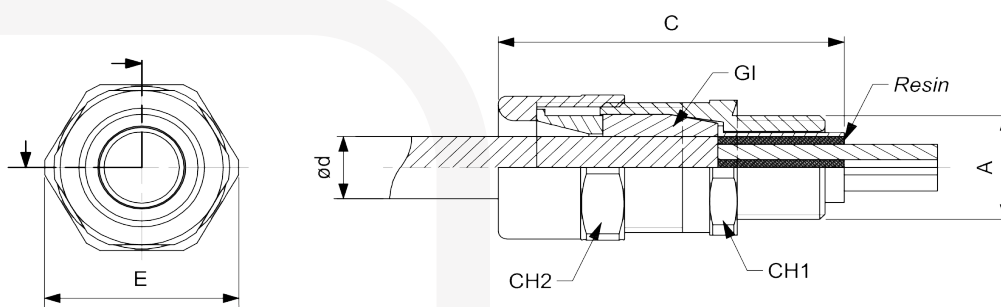
They need an internal airtight seal that prevents the transmission of an internal explosion.

Necessary when using Ex-d flameproof enclosures, with an internal volume greater than 2 litres in Zone 1, containing any source of ignition.



EU-Type Examination Certificate

DIMENSIONS SERIE PMX



PMX ITEM REFERENCES - METRIC

Metric:	C:	CH1:	CH2:	E:	GI:	Ød sheath:	Weight:	Item No.:
M20x1,5	63	26	28	31	1GI1	4 - 7 mm	0,142 kg	7G0301
M20x1,5	63	26	28	31	1GI2	7 - 9,5 mm	0,142 kg	7G0302
M20x1,5	63	26	28	31	1GI3	9 - 12 mm	0,142 kg	7G0303
M25x1,5	63	31	34	37	2GI1	9 - 12 mm	0,183 kg	7G0304
M25x1,5	63	31	34	37	2GI2	12 - 14,5 mm	0,183 kg	7G0305
M25x1,5	63	31	34	37	2GI3	14 - 17 mm	0,183 kg	7G0306
M32x1,5	78	42	45	49	3GI1	14 - 17 mm	0,405 kg	7G0307
M32x1,5	78	42	45	49	3GI2	17 - 20 mm	0,405 kg	7G0308
M32x1,5	78	42	45	49	3GI3	20 - 23 mm	0,405 kg	7G0309
M40x1,5	78	46	48	53	4GI1	20 - 23 mm	0,453 kg	7G0310
M40x1,5	78	46	48	53	4GI2	23 - 26 mm	0,453 kg	7G0311
M40x1,5	78	46	48	53	4GI3	26 - 29 mm	0,453 kg	7G0312
M50x1,5	79	56	58	64	5GI1	20 - 23 mm	0,685 kg	7G0313
M50x1,5	79	56	58	64	5GI2	23 - 26 mm	0,685 kg	7G0314
M50x1,5	79	56	58	64	5GI3	26 - 29 mm	0,685 kg	7G0315
M50x1,5	79	56	58	64	5GI4	29 - 32 mm	0,685 kg	7G0316
M50x1,5	79	56	58	64	5GI5	32 - 35 mm	0,685 kg	7G0317
M63x1,5	79	65	68	75	6GI1	35 - 39 mm	0,836 kg	7G0318
M63x1,5	79	65	68	75	6GI2	39 - 42 mm	0,836 kg	7G0319
M63x1,5	79	65	68	75	6GI3	42 - 45 mm	0,836 kg	7G0320



SEALING CABLE GLANDS FOR NON-ARMoured CABLES

Zones 1, 2, 21, 22


Full catalogue available on our website: www.inpratex.com

CABLE GLANDS & INSTALLATION MATERIAL

PMX ITEM REFERENCES - NPT

NPT:	C:	CH1:	CH2:	E:	GI:	Ød sheath:	Weight:	Item No.:
1/2" NPT	63	26	28	31	1GI1	4 - 7 mm	0,142 kg	7G0401
1/2" NPT	63	26	28	31	1GI2	7 - 9,5 mm	0,142 kg	7G0402
1/2" NPT	63	26	28	31	1GI3	9 - 12 mm	0,142 kg	7G0403
3/4" NPT	63	31	34	37	2GI1	9 - 12 mm	0,183 kg	7G0404
3/4" NPT	63	31	34	37	2GI2	12 - 14,5 mm	0,183 kg	7G0405
3/4" NPT	63	31	34	37	2GI3	14 - 17 mm	0,183 kg	7G0406
1" NPT	78	42	45	49	3GI1	14 - 17 mm	0,405 kg	7G0407
1" NPT	78	42	45	49	3GI2	17 - 20 mm	0,405 kg	7G0408
1" NPT	78	42	45	49	3GI3	20 - 23 mm	0,405 kg	7G0409
1.1/4" NPT	78	46	48	53	4GI1	20 - 23 mm	0,453 kg	7G0410
1.1/4" NPT	78	46	48	53	4GI2	23 - 26 mm	0,453 kg	7G0411
1.1/4" NPT	78	46	48	53	4GI3	26 - 29 mm	0,453 kg	7G0412
1.1/2" NPT	79	56	58	64	5GI1	20 - 23 mm	0,685 kg	7G0413
1.1/2" NPT	79	56	58	64	5GI2	23 - 26 mm	0,685 kg	7G0414
1.1/2" NPT	79	56	58	64	5GI3	26 - 29 mm	0,685 kg	7G0415
1.1/2" NPT	79	56	58	64	5GI4	29 - 32 mm	0,685 kg	7G0416
1.1/2" NPT	79	56	58	64	5GI5	32 - 35 mm	0,685 kg	7G0417
2" NPT	79	65	68	75	6GI1	35 - 39 mm	0,836 kg	7G0418
2" NPT	79	65	68	75	6GI2	39 - 42 mm	0,836 kg	7G0419
2" NPT	79	65	68	75	6GI3	42 - 45 mm	0,836 kg	7G0420

TECHNICAL SPECIFICATIONS

Marking:	 II 2G Ex d IIC / Ex e II II 2D Ex tD A21
Certificate:	EU-Type Examination Certificate
Operating conditions:	Indoor / Outdoor
Material:	Nickel plated brass
Ingress protection:	IP66
Operating temperature:	-40°C to +100°C

ACCESSORIES

Designation:	Item No.:
Bicomponent resin REPM-1 50 ml	7G0501
Manual applicator for 50 ml cartridges	7G0502

