

# Q.CRODILE X PL114-1 GROUNDING CLAMP SINGLE-POLE

Zones 0, 1, 2, 20, 21, 22

Full catalogue available on our website: [www.inpratex.com](http://www.inpratex.com)

4



CONTROL & CONNECTION EQUIPMENT

## ATEX GROUNDING CLAMPS

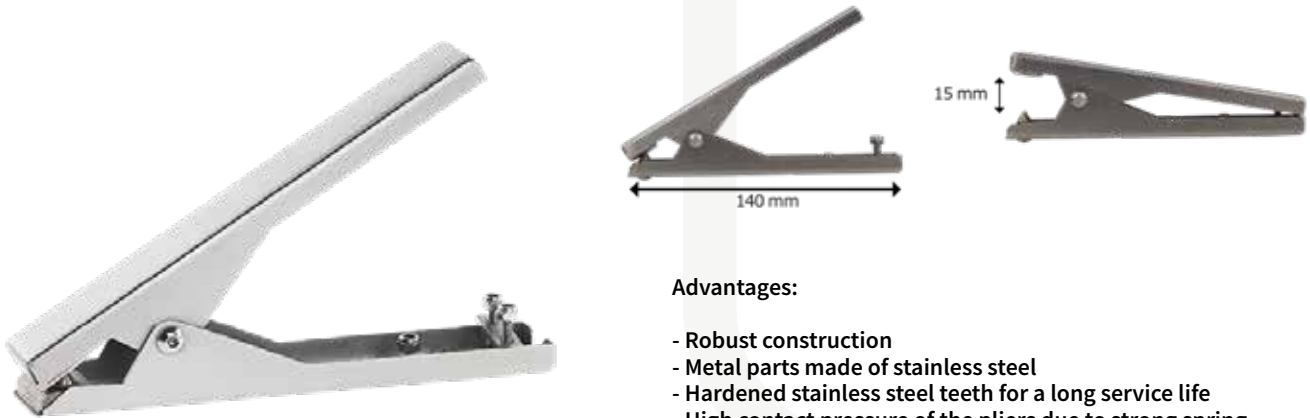
ZONES 0, 1, 2 (gas) & 20, 21, 22 (dust)

The Q.Crodile X PL114-1 grounding clamp is suitable for all common applications, such as grounding drums, containers and canisters. The robust design of the grounding clamp qualifies it for even the harshest environmental conditions.

The stainless steel teeth used are hardened and therefore particularly durable. When not in use, they are protected by the relief holes in the clamp.



EU-Type Examination Certificate





### Advantages:

- Robust construction
- Metal parts made of stainless steel
- Hardened stainless steel teeth for a long service life
- High contact pressure of the pliers due to strong spring
- Cable secured with strain relief

### ITEM REFERENCES

Designation:	Item No.:
Q.Crodile X PL114-1	6D0640R

### TECHNICAL SPECIFICATIONS

Marking:	 II 1G Ex h IIC T6 Gb  II 1D Ex h IIIC T80°C Db
Certificate:	EU-Type Examination Certificate
Material:	Stainless steel 1.4301
Side length:	140 mm
Opening angle:	15 mm
Connection type:	1-core via M3 eyelet (max. 10mm <sup>2</sup> )
Stainless steel teeth:	Hardened, 2 pieces (mounted on one side of the leg)

# GROUNDING SPIRAL CABLE, STEEL CORE - SINGLE-POLE

Full catalogue available on our website: [www.inpratex.com](http://www.inpratex.com)

## ATEX GROUNDING



For use in hazardous areas according to EN 60079-14.

The single-pole, silicone-free steel core grounding spiral cables offer superior mechanical strength. The steel core used can withstand continuous daily use and its cable sheath is extremely resistant to acids, alkalis, mineral oils, grease and other chemicals. In contrast to conventional copper cables, the stranded steel wire does not break due to continuous daily use.

A visual inspection is sufficient if the outer sheath is undamaged and the ring cable lug is firmly attached.

As the spiral cables fulfil all the requirements of the DIN EN 60079-0 and DIN EN 60079-14 standards, they may be used in potentially explosive atmospheres.

Advantages:

- Steel core for superior mechanical strength
- Cable sheath is resistant to acids, alkalis, mineral oils, fats and other chemicals
- Free from silicones
- Customised production of special lengths



### ITEM REFERENCES

Designation:	Cable colour:	Core:	Block length:	Item No.:
1m straight cable	Green	4 mm <sup>2</sup> steel-core	By the metre	A179008R
3m spiral cable	Green	4 mm <sup>2</sup> steel-core	160 mm	A173019R
5m spiral cable	Green	4 mm <sup>2</sup> steel-core	260 mm	A173020R
10m spiral cable	Green	4 mm <sup>2</sup> steel-core	600 mm	A173021R
1m straight cable	Green/Yellow	4 mm <sup>2</sup> steel-core	By the metre	A173010R
3m spiral cable	Green/Yellow	4 mm <sup>2</sup> steel-core	160 mm	A173022R
5m spiral cable	Green/Yellow	4 mm <sup>2</sup> steel-core	260 mm	A173023R
10m spiral cable	Green/Yellow	4 mm <sup>2</sup> steel-core	600 mm	A173024R

### TECHNICAL SPECIFICATIONS

Cable type:	ST-Li2Y
Cable colour:	Green or Green / Yellow
Cross section:	4 mm <sup>2</sup>
Core type:	Steel core
Ambient temperature:	-40°C...+80°C

4



CONTROL & CONNECTION EQUIPMENT

# GROUNDING SPIRAL CABLE, COPPER CORE - SINGLE-POLE

Full catalogue available on our website: [www.inpratex.com](http://www.inpratex.com)

4



CONTROL & CONNECTION EQUIPMENT

## ATEX GROUNDING

The single-pole copper spiral cables are characterised by their extremely high flexibility. The copper core used consists of 226 individual copper strands, which minimise the risk of cable breakage. Their cable sheath provides adequate protection against acids, alkalis, mineral oils, greases and other chemicals.

The spiral cables fulfil all requirements of the standards DIN EN 60079-0 and DIN EN 60079-14 and may therefore be used in potentially explosive atmospheres. The spiral cables are silicone-free.

Advantages:

- Copper core for extremely high flexibility
- Cable sheath is resistant to acids, alkalis, mineral oils, fats and other chemicals
- Free from silicones
- Customised production of special lengths



For use in hazardous areas according to EN 60079-14.

### ITEM REFERENCES

Designation:	Cable colour:	Cross section:	Block length:	Item No.:
1m straight cable	Green/Yellow	4 mm <sup>2</sup>	By the metre	A179010R
1m spiral cable	Green/Yellow	4 mm <sup>2</sup>	100 mm	A416106R
3m spiral cable	Green/Yellow	4 mm <sup>2</sup>	600 mm	A416123R
5m spiral cable	Green/Yellow	4 mm <sup>2</sup>	1000 mm	A416107R
10m spiral cable	Green/Yellow	4 mm <sup>2</sup>	2000 mm	A416108R
1m spiral cable	Green/Yellow	2,5 mm <sup>2</sup> (according to TRGS 727)	100 mm	A179013R
3m spiral cable	Green/Yellow	2,5 mm <sup>2</sup> (according to TRGS 727)	600 mm	A416332R
5m spiral cable	Green/Yellow	2,5 mm <sup>2</sup> (according to TRGS 727)	1000 mm	A416333R

### TECHNICAL SPECIFICATIONS

Cable type:	LIF11Y11Y, 226x0,15mm
Cable colour:	Green / Yellow
Cross section:	4 mm <sup>2</sup> / 2,5 mm <sup>2</sup>
Core type:	Copper
Ambient temperature:	-40°C...+80°C