

EX PLUGS & SOCKETS (BRASS, ARMoured CABLE)

Zones 1, 2, 21, 22

Full catalogue available on our website: www.inpratex.com

4

CONTROL & CONNECTION EQUIPMENT

ATEX PLUGS & SOCKETS

ZONES 1, 2 (gas) & 21, 22 (dust)



EU-Type Examination Certificate

Range of certified plugs and sockets for hazardous areas facilitate the compliance of:

- electrical machinery to the Machinery European Directive regarding isolation device and to EN 60204-1 standard: Safety of machinery electrical equipment of machines,
- electrical installation to national regulation relating to the improvement of the safety and health of workers at work in Italy, Spain, Belgium,
- electrical installation to French decree of 30 aout 2010 and 22 septembre 2010 relating to health and safety at work when using electrical installations,
- electrical installation to the installation standards: IEC/ EN 60079-14, IEC/HD 60364 (international), NF C 15-100 (France) and CSA Z462 (Canada).

These plugs and sockets comply with:

- ATEX European Directive (affixing “Ex” symbol and CE marking),
- RoHS Directive (affixing CE marking),
- REACH European Regulation,
- IEC/ EN 60079-0, IEC/ EN 60079-1, IEC/ EN 60079-7, IEC/ EN 60079-31, IEC/ EN 60309-1 and IEC/ EN 60309-4 standards.
- Bureau Veritas Marine specifications.

ITEM REFERENCES

Rated current:	Coding Voltage/ Frequency [0]:	Poles:	Cable entries [1]:	Wall mounting socket:	Plugs:	Socket -outlet:	Utilization categories:	Permissible cable cross-sections:	Recommended cable type RZ1MZ1-K [2]:
20A	20/24V AC	2P	M20 Brass Cable Gland (9 - 15,5 mm)	6L0101	6L0201	6L0301	AC-22 AC-23	1-4 mm ² flexible 1,5-6 mm ² rigid	2x1,5 mm ² [3]
20A	220/250V AC	1P+N+T	M20 Brass Cable Gland (13,2 - 20,5 mm)	6L0102	6L0202	6L0302	AC-22 AC-23	1-4 mm ² flexible 1,5-6 mm ² rigid	3G4 mm ² [3]
20A	380/440V AC	3P+T	M20 Brass Cable Gland (13,2 - 20,5 mm)	6L0103	6L0203	6L0303	AC-22 AC-23	1-4 mm ² flexible 1,5-6 mm ² rigid	4G4 mm ² [3]
20A	380/440V AC	3P+T+N	M25 Brass Cable Gland (17 - 26 mm)	6L0104	6L0204	6L0304	AC-22 AC-23	1-4 mm ² flexible 1,5-6 mm ² rigid	5G4 mm ² [3]
32A	220/250V AC	1P+N+T	M20 Brass Cable Gland (13,2 - 20,5 mm)	6L0105	6L0205	6L0305	AC-22	2,5-10 mm ² flexible 2,5-16 mm ² rigid	3G6 mm ² [3]
32A	380/440V AC	3P+T	M25 Brass Cable Gland (17 - 26 mm)	6L0106	6L0206	6L0306	AC-22	2,5-10 mm ² flexible 2,5-16 mm ² rigid	4G6 mm ² [3]
32A	380/440V AC	3P+T+N	M25 Brass Cable Gland (17 - 26 mm)	6L0107	6L0207	6L0307	AC-22	2,5-10 mm ² flexible 2,5-16 mm ² rigid	5G6 mm ² [3]
63A	380/440V AC	3P+T	M25 Brass Cable Gland (17 - 26 mm)	6L0108	6L0208	6L0308	AC-22	6-16 mm ² flexible 6-25 mm ² rigid	4G16 mm ² [3]
63A	380/440V AC	3P+T+N	M32 Brass Cable Gland (24 - 33,5 mm)	6L0109	6L0209	6L0309	AC-22	6-16 mm ² flexible 6-25 mm ² rigid	5G16 mm ² [3]
63A	480/500V AC	3P+T	M25 Brass Cable Gland (17 - 26 mm)	6L0110	6L0210	6L0310	AC-22	6-16 mm ² flexible 6-25 mm ² rigid	4G16 mm ² [3]
63A	480/500V AC	3P+T+N	M32 Brass Cable Gland (24 - 33,5 mm)	6L0111	6L0211	6L0311	AC-22	6-16 mm ² flexible 6-25 mm ² rigid	5G16 mm ² [3]

[0] Other voltage/frequency encodings are available on request.

[1] Brass cable gland suitable for armoured cable.

[2] The cable selection is a recommendation, which must be reviewed on a case-by-case basis. It is based on an ambient temperature of 30°C and a conductor operating temperature of 60°C, for cables installed outdoors or laid on a surface. If the cable is to be coiled on a drum or installed in an enclosed space, the recommended cable types are no longer applicable.

[3] It is essential to check that the outer diameter of the selected cable matches the clamping ranges of the cable glands, whilst also taking into account the cables' load-bearing capacity.

EX PLUGS & SOCKETS (BRASS, ARMoured CABLE)

Zones 1, 2, 21, 22

Full catalogue available on our website: www.inpratex.com

TECHNICAL SPECIFICATIONS			
	20A	32A	63A
Marking:	II 2G Ex db eb IIC T* Gb II 2D Ex tb IIIC T* Db * -40°C ≤ Ta ≤ +60°C T5 T90°C -40°C ≤ Ta ≤ +40°C T6 T70°C	II 2G Ex db eb IIC T* Gb II 2D Ex tb IIIC T* Db * -40°C ≤ Ta ≤ +60°C T5 T77°C -40°C ≤ Ta ≤ +40°C T6 T57°C	II 2G Ex db eb IIC T* Gb II 2D Ex tb IIIC T* Db * -40°C ≤ Ta ≤ +60°C T4 T107°C -40°C ≤ Ta ≤ +40°C T5 T87°C
Certificate:	EU-Type Examination Certificate		
Housing:	Glass Reinforced Polyester (GRP)		
Ingress protection:	IP66/67		
Shock resistance:	IK09		
Cable entries::	Brass cable glands for armoured cable (nickel-plated brass available as an option)		



DIMENSIONS 20A									
Coupler			Plug on wall mounted socket-outlet						
A	B	C	A	B	C	D	E1	E2	
266 mm	89 mm	58 mm	208 mm	264 mm	138 mm	126 mm	117 mm	105,5	

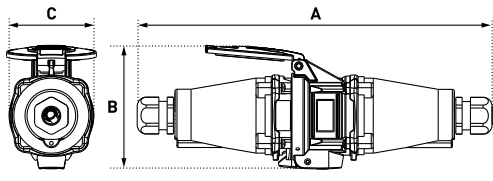
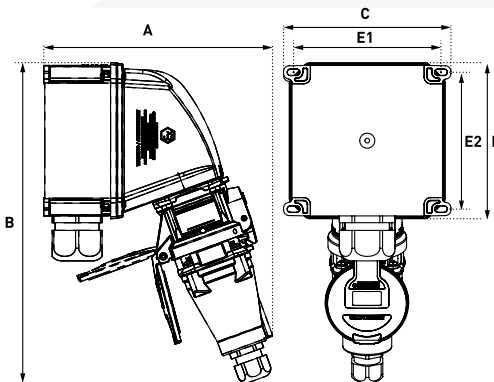
DIMENSIONS 32A									
Coupler			Plug on wall mounted socket-outlet						
A	B	C	A	B	C	D	E1	E2	
304 mm	71 mm	118 mm	208 mm	264 mm	138 mm	126 mm	117 mm	105,5	

EX PLUGS & SOCKETS (BRASS, ARMoured CABLE)

Zones 1, 2, 21, 22

Full catalogue available on our website: www.inpratex.com

DIMENSIONS 63A

Coupler			Plug on wall mounted socket-outlet					
								
A	B	C	A	B	C	D	E1	E2
350 mm	84 mm	122 mm	244 mm	341 mm	175 mm	166 mm	157 mm	145,5