

# EX MANUAL CALL POINT

Zones 1, 2, 21, 22

Full catalogue available on our website: [www.inpratex.com](http://www.inpratex.com)

## ATEX MANUAL CALL POINT

ZONES 1, 2 (gas) & 21, 22 (dust)



The Ex Manual Call Point is designed for manual fire alert purposes in potentially explosive areas. Its protection type allows for applications in all Ex areas of zones 1, 2, 21 and 22. Type B Manual Call Point according to EN 54-11 or Special Alarm according to EN 12094/EN 12094-1.

Flexible, system-suited application thanks to different resistor modules.

The housing is made of glass fibre-reinforced polyester, which ensures its corrosion protection as well as its classification for protection classes II and III. Therefore, an equipotential bonding conductor is not needed.



EU-Type Examination Certificate

4





CONTROL & CONNECTION EQUIPMENT

### ITEM REFERENCES

Designation:	Resistors:	Item No.:
Ex-Fire Switch	-	7F0101
Ex-Fire Switch	3,3 kΩ (RE) / 680 Ω (R)	7F0102
Ex-Fire Switch	3,9 kΩ (RE) / 820 Ω (R)	7F0103
Ex-Fire Switch	3,9 kΩ (RE) / 2,2 kΩ (R)	7F0104
Ex-Fire Switch	10 kΩ (RE) / 1 kΩ (R)	7F0105

### TECHNICAL SPECIFICATIONS

Marking:	 II 2G Ex de mb IIC/T6 Gb, T5 Gb  II 2D Ex tb IIIC T100°C Db IP66
Certificate:	EU-Type Examination Certificate
Housing:	Glass fibre reinforced polyester   Fire alarm: red RAL 3000. Special alarm: yellow or blue on request
Surface resistance:	Electrostatically conductive
Operating temperature:	-55°C to +65°C (T6)   -55°C to +85°C (T5)
Switching contact:	Changeover contact (embedded, II 2G Ex d II C)
Contact rating:	Max. 5 A/250 VAC   0.25 A/250 VDC
Connection terminals:	Up to 4 mm <sup>2</sup> single or fine-wire
Dimensions:	Approx. 136 x 138 x 88 mm
Weight:	Approx. 1,8 kg
Ingress protection:	IP66 according to IEC 60529
Protection class:	II and III (no equipotential bonding necessary)
Operating conditions:	Indoors and outdoors
Operating position:	Wall mounting
Cable entries:	1x M16x1.5 plastic cable gland, cable clamping range Ø4-8 mm   1x M16x1.5 plastic blind plug

# EX MANUAL CALL POINT

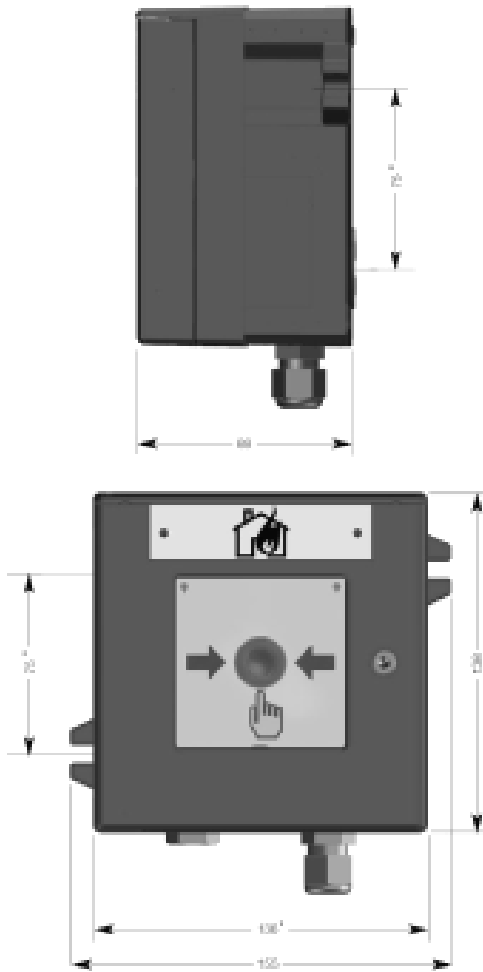
Zones 1, 2, 21, 22

Full catalogue available on our website: [www.inpratex.com](http://www.inpratex.com)

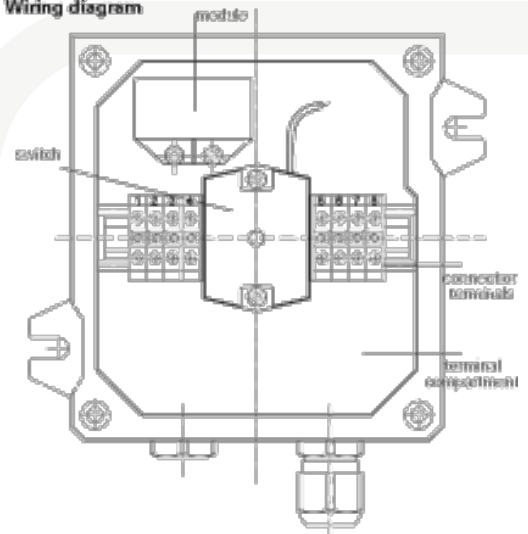
4



CONTROL & CONNECTION EQUIPMENT



Wiring diagram



Cable gland

