

LOAD BREAK SWITCH 3P / 80A

Zones 1, 2, 21, 22

Full catalogue available on our website: www.inpratex.com

Ex d ENCLOSURES

ZONES 1, 2 (gas) & 21, 22 (dust)



80A, 3-pole ATEX certified load break switch for use in explosive atmospheres. Suitable for classified zones 1, 2, 21 and 22.

Equipped with a lockable external handle, it allows to disconnect low voltage load lines or to control electrical machines under load, both in indoor and outdoor installations, near the sea, offshore plants and other aggressive environments.

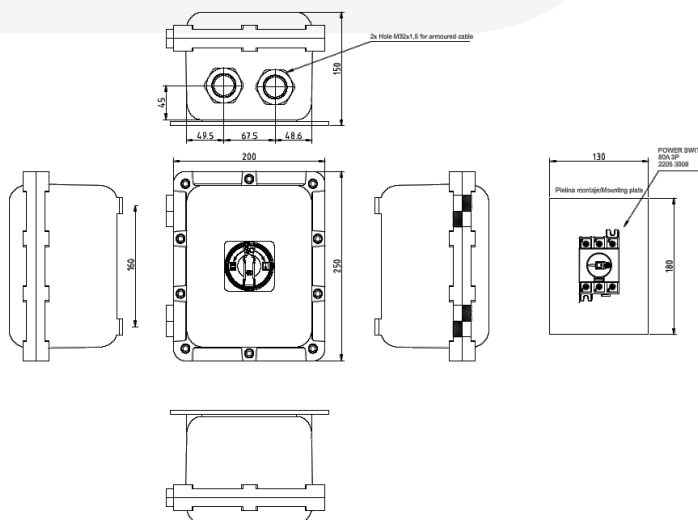


ITEM REFERENCES

Designation:	Item No.:
LOAD BREAK SWITCH 3P / 80A	4D0205

TECHNICAL SPECIFICATIONS

Marking:	II 2G Ex db IIB+H2 T6 Gb II 2D Ex tb IIIC T85°C Db IP66
Certificate:	EU-Type Examination Certificate
Material:	Light aluminum alloy, stainless steel hinges
Operating temperature:	-20°C to +40°C
Ingress protection:	IP66
Dimensions:	External: 200x250x150 mm Internal: 140x190x118 mm
Colour:	Grey RAL 7000
Interior:	Mounting Plate 130x180mm 3P 80A Main Circuit Breaker
Lockable handle:	72x72 mm yellow/red ø M12 DPM M127S-L + I 332SR
Cable entries:	2x M32X1,5 (cable glands not included)



RATED VOLTAGE	BREAKING CAPACITY	RATED CURRENT I _e (A)
415 VAC	AC-23A AC-23B	80 A
500 VAC	AC-23A AC-23B	63 A
690 VAC	AC-23A AC-23B	40 A