

LIMIT SWITCHES XCWD SERIES

Zones 1, 2, 21, 22

Full catalogue available on our website: www.inpratex.com

ATEX LIMIT SWITCHES

ZONES 1, 2 (gas) & 21, 22 (dust)

The XCWD limit switches is a safe bet for controlling movement. It benefit from the latest developments: modularity, compactness and a very broad range of actuators.

They are designed for intensive use and a very good repeatability.



They are provided in complete assemblies or variable composition with:

- 2 or 4 electrically separate snap action contacts.
- Can substitute the previous range XCWA and XCWF



EU-Type Examination Certificate

Heads that can be adjusted from 15° to 15° on 360° relative to the body

TECHNICAL SPECIFICATIONS

Marking:	II 2G Ex d IIC T6 Gb II 2D Ex tb IIIC T85°C Db
Certificate:	EU-Type Examination Certificate
Housing:	Zamac
Operating temperature:	-20°C to +60°C
Ingress protection:	IP66/67
Repeat accuracy:	0,05 mm on the tripping points 1 million operation cycles for actuator with end plunger
Shock resistance:	25 gn (18ms) according to IEC 60068-2-27
Vibration resistance:	5 gn according to IEC 60068-2-27
Rated thermal current:	6 A for 2 contacts according to versions, 3 A for 4 contacts
Rated insulation voltage:	400 V according to IEC 60947-5-1
Contact blocks:	Snap action - 1 x NC + 1 x NO or 2 x NC + 2 x NO
Resistance across terminals:	≤ 25 mΩ according to IEC 60255-7 category 3

Electrical features of the contacts

Switches with 2 contacts	Switches with 4 contacts
AC-15 ; C300 (Ue = 240 V, Ie = 1.5 A) DC-13 ; R300 (Ue = 250 V, Ie = 0.1 A)	AC-15 ; C300 (Ue = 240 V, Ie = 0.75 A) DC-13 ; R300 (Ue = 250 V, Ie = 0.1 A)

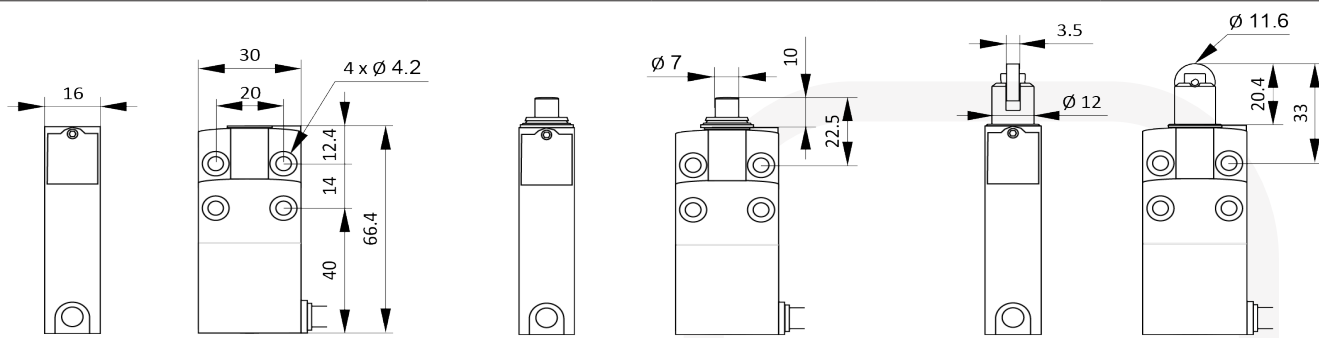




LIMIT SWITCHES XCWD SERIES

Zones 1, 2, 21, 22

Full catalogue available on our website: www.inpratex.com

HEAD WITH STRAIGHT MOVEMENT. FIXING BY THE BODY						
Actuator type	Metal end plunger			Steel roller plunger		
		2 CONTACTS	4 CONTACTS		2 CONTACTS	4 CONTACTS
1 m cable length		XCWD2110L1	XCWD4110L1		XCWD2102L1	XCWD4102L1
2 m cable length		XCWD2110L2	XCWD4110L2		XCWD2102L2	XCWD4102L2
5 m cable length		XCWD2110L5	XCWD4110L5		XCWD2102L5	XCWD4102L5
10 m cable length		XCWD2110L10	XCWD4110L10		XCWD2102L10	XCWD4102L10
HEAD WITH STRAIGHT MOVEMENT. FIXING BY THE HEAD						
Actuator type	Metal end plunger - M12			Steel roller plunger - M12		
		2 CONTACTS	4 CONTACTS		2 CONTACTS	4 CONTACTS
1 m cable length		XCWD21F0L1	XCWD410L1		XCWD21F2L1	XCWD41F2L1
2 m cable length		XCWD21F0L2	XCWD410L2		XCWD21F2L2	XCWD41F2L2
5 m cable length		XCWD21F0L5	XCWD410L5		XCWD21F2L5	XCWD41F2L5
10 m cable length		XCWD21F0L10	XCWD410L10		XCWD21F2L10	XCWD41F2L10
HEAD WITH ANGULAR MOVEMENT. FIXING BY THE BODY						
Actuator type	Thermoplastic roller lever			Steel roller lever		
		2 CONTACTS	4 CONTACTS		2 CONTACTS	4 CONTACTS
1 m cable length		XCWD2115L1	XCWD4115L1		XCWD2116L1	XCWD4116L1
2 m cable length		XCWD2115L2	XCWD4115L2		XCWD2116L2	XCWD4116L2
5 m cable length		XCWD2115L5	XCWD4115L5		XCWD2116L5	XCWD4116L5
10 m cable length		XCWD2115L10	XCWD4115L10		XCWD2116L10	XCWD4116L10
HEAD WITH ANGULAR MOVEMENT. FIXING BY THE BODY						
Actuator type	Lever variable length with thermoplastic roller			Lever variable length with steel roller		
		2 CONTACTS	4 CONTACTS		2 CONTACTS	4 CONTACTS
1 m cable length		XCWD2145L1	XCWD4145L1		XCWD2146L1	XCWD4146L1
2 m cable length		XCWD2145L2	XCWD4145L2		XCWD2146L2	XCWD4146L2
5 m cable length		XCWD2145L5	XCWD4145L5		XCWD2146L5	XCWD4146L5
10 m cable length		XCWD2145L10	XCWD4145L10		XCWD2146L10	XCWD4146L10

				
Switch actuation	On end		By 30° cam	
Maximum actuation speed:	0,5 m/s		0,5 m/s	
Mechanical durability:	10 million operating cycles			
Minimum force or torque for tripping:	8,5 N		7 N	
Minimum force or torque for positive opening:	42,5 N		35 N	
Cabling:	PvR Cable 5 x 0,75 mm ² for 2-pole contact versions PvR Cable 9 x 0,34 mm ² for 4-pole contact versions			

LIMIT SWITCHES XCWD SERIES

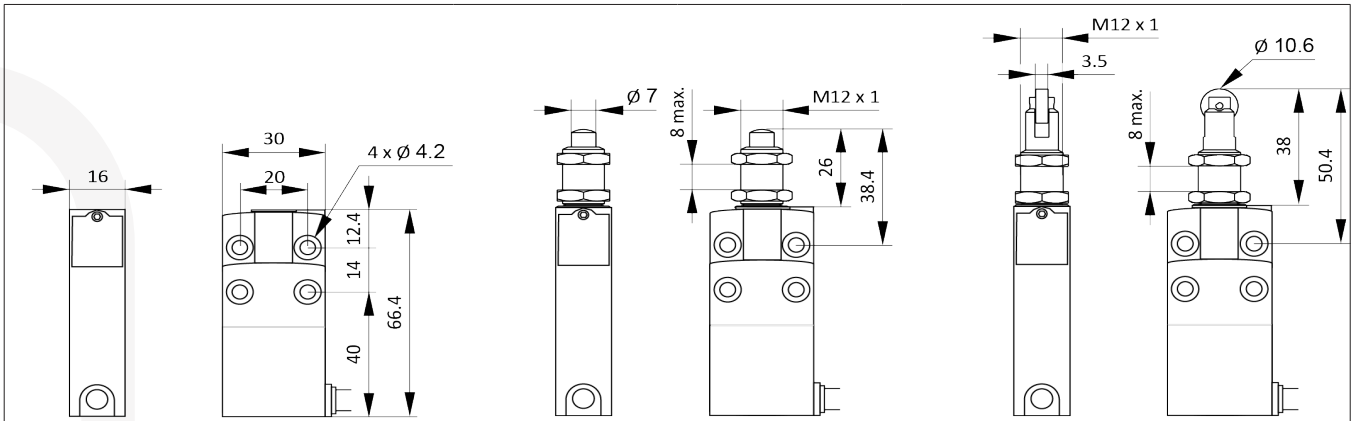
Zones 1, 2, 21, 22

Full catalogue available on our website: www.inpratex.com

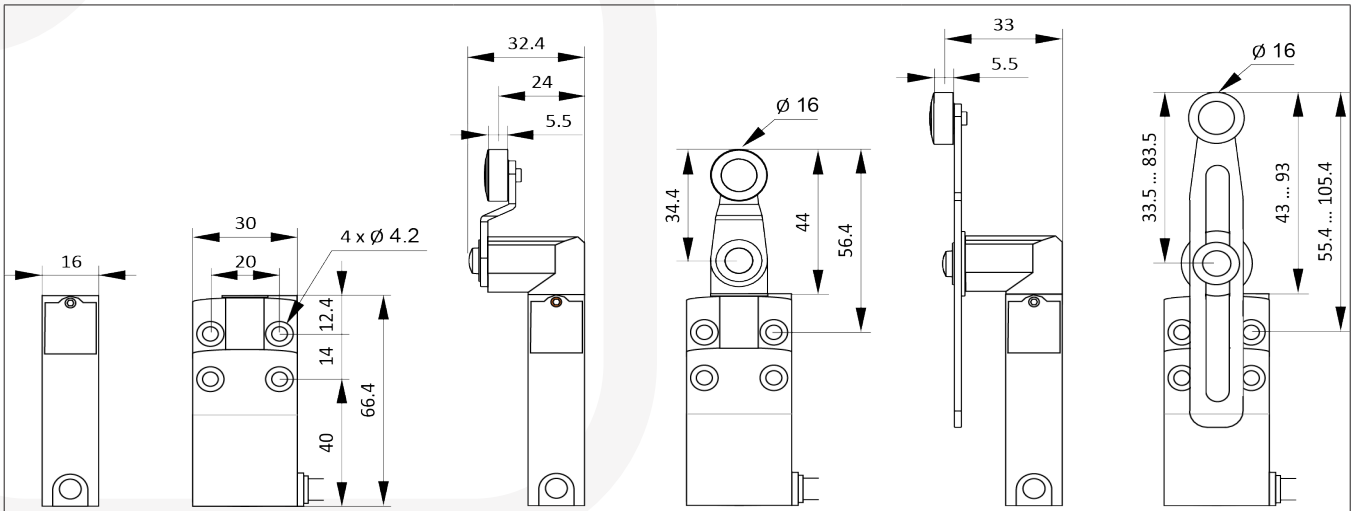
4



CONTROL & CONNECTION EQUIPMENT



Switch actuation	On end		By 30° cam	
Maximum actuation speed:	0,5 m/s		0,1 m/s	
Mechanical durability:	10 million operating cycles			
Minimum force or torque for tripping:	8,5 N		7 N	
Minimum force or torque for positive opening:	42,5 N		35 N	
Cabling:	PvR Cable 5 x 0,75 mm ² for 2-pole contact versions PvR Cable 9 x 0,34 mm ² for 4-pole contact versions			



Switch actuation	By 30° cam		By 30° cam	
Maximum actuation speed:	0,1 m/s		1,5 m/s	
Mechanical durability:	10 million operating cycles			
Minimum force or torque for tripping:	7 N		0,1 N.m	
Minimum force or torque for positive opening:	35 N		0,5 N.m	
Cabling:	PvR Cable 5 x 0,75 mm ² for 2-pole contact versions PvR Cable 9 x 0,34 mm ² for 4-pole contact versions			

CONTACT BLOCKS

Switches with 2-pole contacts NC + NO snap action	Switches with 4-pole contacts NC + NC + NO + NO snap action