

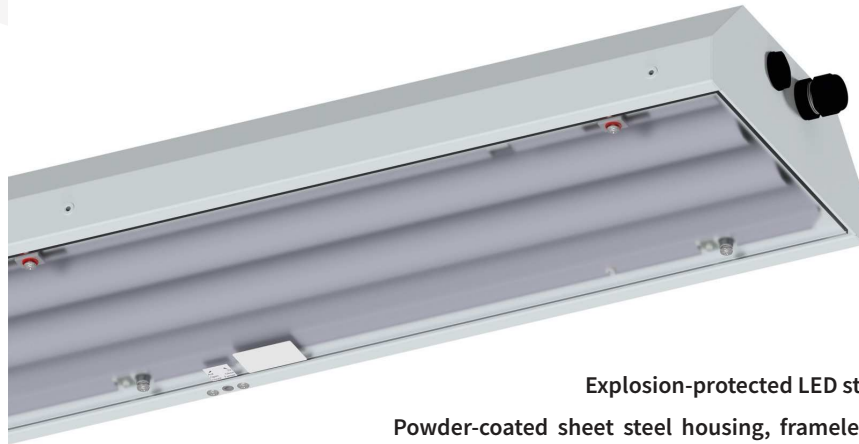
# LED-STEEP ROOF LIGHT FITTINGS SERIES ND822

Zones 2, 22

Full catalogue available on our website: [www.inpratex.com](http://www.inpratex.com)

## LED LIGHT FITTINGS

ZONES 2 (gas) & 22 (dust)



Supplied without mounting brackets

Explosion-protected LED steep roof light fitting for use in ATEX Zones 2,22.

Powder-coated sheet steel housing, frameless hinged tempered safety glass pane. Central locking system with opposite internal hinges, silicone gasket.

Sheet steel reflector, white powder coated, hingeable and detachable, with encapsulated LED modules and frosted covers for glare limitation.

Encapsulated ECG with overvoltage, overload and short circuit protection.

Central locking system operated by a 5mm allen key, hinges on the opposite side.

### Looping the cable on one side:

All light fittings of series nD822... have 2 cable entries on one small side of the housing for cable looping instead of the through wiring system. (3-pole looping standard, 5-pole looping at additional cost)

### ITEM REFERENCES

Designation:	Power (substitute for):	Luminous flux:	Luminous efficacy:	T. max.:	Weight:	Item No.:
nD822 06L42	28 W   (2x36W)	4110 lm	147 lm/W	40 °C	7,9 kg	1A4501
nD822 06L60	40 W   (2x58W)	5600 lm	140 lm/W	40 °C	7,9 kg	1A4502
nD822 12L42	28 W   (2x36W)	4260 lm	152 lm/W	40 °C	13,6 kg	1A4503
nD822 12L60	40 W   (2x58W)	5900 lm	148 lm/W	40 °C	14,0 kg	1A4504
nD822 12L85	54 W   (>2x58W)	8350 lm	155 lm/W	40 °C	14,0 kg	1A4505
nD822 12L120	79 W   (>3x58W)	11470 lm	145 lm/W	40 °C	14,0 kg	1A4506

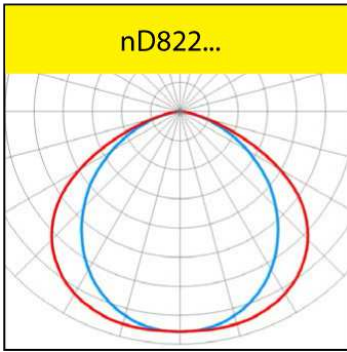
### TECHNICAL SPECIFICATIONS

Marking:	II 3G Ex ec IIC T4 Gc II 3D Ex tc IIIC T80°C Dc
Certificate:	Declaration of conformity
Housing:	Sheet steel, powder coated in light grey (RAL 7035), silicone foam gasket
Cover:	Impact resistant safety glass pane, frameless / hinged.
LED:	Line modules approx. 5000K. CRI > 80, L70B10 > 100.000h   L80B50 > 100.000h   L90B50 > 50.000h (each at max. ambient temperature)
Operating temperature:	-30°C to +40°C
Operating frequency:	0 or 50/60 Hz
Rated voltage:	220/240V AC/DC
Ingress protection:	IP65
Connection:	3 poles up to 4 mm <sup>2</sup>
Cable entries:	3xM25 x 1,5 (2 plastic cable glands - one of them is plugged)

# LED-STEEP ROOF LIGHT FITTINGS SERIES ND822

Zones 2, 22

Full catalogue available on our website: [www.inpratex.com](http://www.inpratex.com)

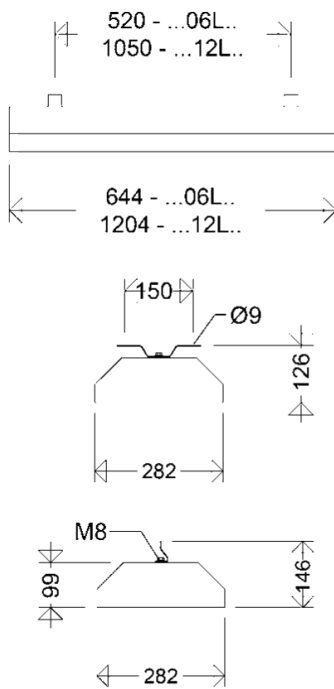


**Note:** This light fitting is not suitable for application in areas with permanent high humidity in combination with only short periods of operation, such as sewage or stormwater retention tanks or water treatment plants.

ACCESSORIES	
Designation:	Item No.:
2 suspension eyes, stainless steel	H8V P
2 ceiling brackets, hot galvanized steel	15A P
2 ceiling brackets, stainless steel	15AV P
2 wall/ceiling angle, steel	WD 45 P

Light fittings of series nD822... can be equipped with a frame even at a later stage. Mounting by means of M5 bolts to the long sides of the housing (see drawing).

**Attention:** When planning the opening for recess installation please allow additional clearance for the cable glands.



FRAME FOR RECESSED INSTALLATION							
Designation:	a	b	c	d	e	f	Item No.:
Frame for narrow housing, e821 06L, nD822 06L	302	660	710	55	300	348	EB 82. 06L
Frame for narrow housing, e821 12L, nD822 12L	302	1224	1270	125	340	348	EB 82. 12L

99  
a  
b  
c  
9  
f  
d e e e d  
slotted hole 9x10

