

LED LIGHT FITTINGS SERIES E855

Zones 1, 2, 21, 22

Full catalogue available on our website: www.inpratex.com

LED LIGHT FITTINGS

ZONES 1, 2 (gas) & 21, 22 (dust)

Explosion-proof compact LED light fittings.

Housing from glass fibre reinforced polyester. Frosted polycarbonate diffuser.

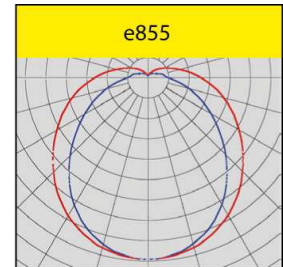
Central locking system (operated by a hexagonal box spanner 13mm.)



EU-Type Examination Certificate



* This light fitting is not suitable for applications in areas with permanent high humidity in combination with only short periods of operation, such as sewage or stormwater retention tanks or water treatment plants.



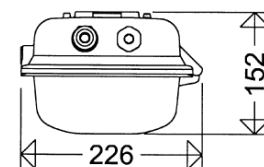
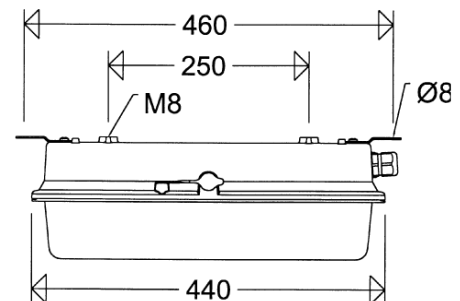
Supplied with mounting brackets. Prepared for looping the mains cable.

ITEM REFERENCES

Designation:	Power: (substitute for)	Luminous flux:	Luminous efficacy:	T. Max:	Weight:	Item No.:
e855F L05	5 W (1x8 W)	510 lm	102 lm/W	60°C	5,0 kg	1A4101
e855F L10	10 W (2x8 W)	1060 lm	106 lm/W	60°C	5,0 kg	1A4102
e855F L20	18 W (2x18 W)	2050 lm	114 lm/W	60°C	5,1 kg	1A4103
e855F L10 DIMD	10 W (2x8 W)	1060 lm	106 lm/W	60°C	5,0 kg	1A4104
e855F L20 DIMD	18 W (2x18 W)	2050 lm	114 lm/W	60°C	5,1 kg	1A4105

TECHNICAL SPECIFICATIONS

Marking:	II 2G Ex eb mb op is q IIC T4 Gb II 2G Ex db eb mb op is q IIC T4 Gb II 2D Ex op is tb IIIC T80°C Db
Certificate:	EU-Type Examination Certificate
Housing:	Glass fibre reinforced polyester
Cover:	Polycarbonate
LED:	Line modules appr. 6,500K, CRI typically 80 L ₇₀ B ₁₀ > 80.000h, L ₈₀ B ₅₀ > 80.000h (each at max. ambient Temp.)
Operating temperature:	-30°C to +60°C
Operating frequency:	50/60 Hz
Rated voltage:	220/240V AC
Ingress protection:	IP66
Connection:	Terminal L1+N+PE; up to 2,5mm ²
Cable entries:	1xM25X1,5 plastic cable gland 1xM25X1,5 plastic plug



ACCESSORIES

Designation:	Item No.:
2 suspension brackets, stainless steel	H8V P
2 ceiling brackets, hot galvanized steel	15A P
2 ceiling brackets, stainless steel	15AV P
2 pipe clamps 1 1/2", stainless steel, with support	RO84 112 A P
2 pipe clamps 2", stainless steel, with support	RO84 2 A P
2 retaining clips for variable mounting distances	HK 865 P
2 wall mounting angles	W26 P
2 wall mounting angles 30°	W26/30 P
2 wall mounting angles 45°	W26/45 P