

# COMPACT LED EMERGENCY LIGHT FITTINGS SERIES ND8611

Zones 2, 22

Full catalogue available on our website: [www.inpratex.com](http://www.inpratex.com)

## ATEX EMERGENCY LIGHT FITTINGS ZONES 2 (gas) & 22 (dust)



Compact LED Emergency and Escape Sign Light Fitting for illumination of escape routes and for identification of escape routes in hazardous locations.

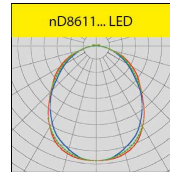
2 Modes of operation:

- Stand-by operation: Emergency light switches on in case of mains failure
- Maintained operation: Switching over to battery operation in case of mains failure

Automatic monitoring the emergency light fitting acc. to EN 62034. Indication of the test results by 2-colour LED on the light fitting.

Outstanding visibility of the indication sign due to a superb and even illumination of the pictogram.

Stable luminous flux in emergency operation.



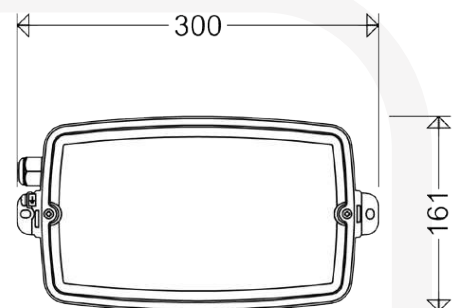
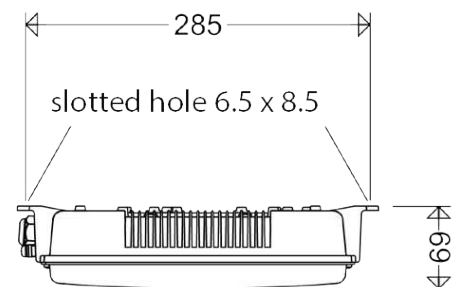
Declaration of Conformity

### ITEM REFERENCES

Designation:	Power consumption:	Emergency operation:	Luminous flux:	Luminous flux (emergency):	Luminous efficacy:	Weight:	Item No.:
nD8611 L02/1W	5W	1h NiMH	150 lm	150 lm	30 lm/W	1 kg	1A2303
nD8611 L02/3W	5W	3h NiMH	150 lm	150 lm	30 lm/W	1,2 kg	1A2304

### TECHNICAL SPECIFICATIONS

Marking:	II 3G Ex nR IIC T4 Gc II 3D Ex tc IIIC T80°C Dc
Certificate:	Declaration of Conformity
Operating temperature:	-5°C to +30°C (maintained operation) 0°C to +40°C (standby operation)
Operating conditions:	Indoor / Outdoor
Housing:	Diecast aluminium, natural finish
Cover:	Polycarbonate opalescent white (Pictograms, if required, to be ordered separately)
Impact protection:	4 J (at the temperature of -5°C no IK rating given; the 4 J are defined in the ex-proof regulation)
LED:	Linear module 6.500K, CRI > 80, L80 > 50.000h at max. ambient temperature
Battery:	Built-in NiMH. A constant trickle charge to the battery ensures readiness of operation at all times.
Recharging time:	24 h
Operating frequency:	50/60 Hz
Rated voltage:	220-240 V AC
Ingress protection:	IP65
Connection terminals:	3 or 4 poles, clamping range max. 2,5mm <sup>2</sup> .
Cable entries:	1xM20x1,5 plastic cable gland



Self-adhesive pictogram for marking escape routes acc. to DIN EN ISO 7010 and ASR A1.3. Viewing = 22m.

Self-adhesive pictogram:

Item No.:

Emergency exit to the left

220/110/33

Emergency exit to the right

220/110/34

Emergency exit below

220/110/35