

IS-S-02 INTRINSICALLY SAFE SOUNDER

Zones 0, 1, 2, 20, 21, 22

Full catalogue available on our website: www.inpratex.com

ACOUSTIC SIGNALLING DEVICES

ZONES 0, 1, 2 (gas) & 20, 21, 22 (dust)



The IS-S-02 Intrinsically Safe Sounder is ATEX and IECEx certified, and is approved to be installed in Groups I (Mining) and Group II (above ground), Zones 0, 1 or 2 with gas groups IIA, IIB, IIC and Zones 20, 21 and 22 for dust groups IIIC and carries a temperature classification of T6.

The sounder unit incorporates a 2 stage alarm option and has a total of 32 selectable tones, selectable via a dip switch on the PCB and produces up to 105dB at 1m.

This unit must be used in conjunction with an approved Zener Barrier or Galvanic Isolator.



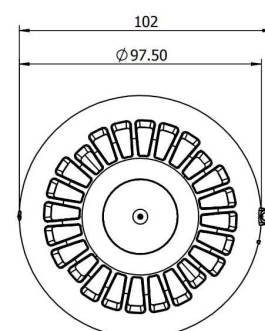
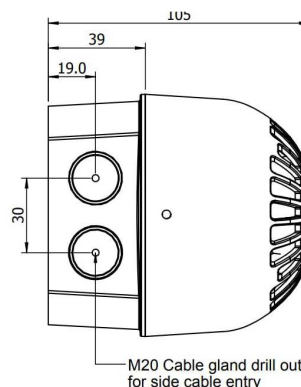
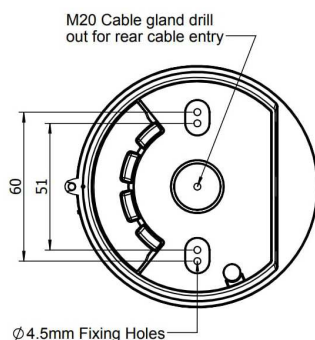
EU-Type Examination Certificate

ITEM REFERENCES

Designation:	Voltage:	Current:	Tones:	Item No.:
IS-S-02	24 V DC	33 mA	32	3C0901
ZENER Z728		1 Stage		3C0901A
KFD0-SD2-Ex2.1045		2 Stages		3C0901B

TECHNICAL SPECIFICATIONS IS-S Series

Marking:	I MI Ex ia I Ma II 1G Ex ia IIC T6 Ga II 1D Ex ia IIIC T85°C Da
Certificate:	EU-Type Examination Certificate
Material:	Flame Retardant Polycarbonate UL94 V2
Colour:	RED
Sounder:	2 Stage alarm with 32 Selectable tones
Power rating:	0.66 W via a suitable barrier
Sound output:	Up to 105 dB at 1m (Tone 18)
Ingress protection:	IP66
Weight:	0,33 kg
Dimensions:	104 x 97.5 mm
Operating temperature:	-40°C to +55°C
Humidity:	>90% at 20°C
Connection terminals:	0.55mm ² up to 2.5mm ²
Power supply:	The unit must be powered via an approved Zener Barrier or Galvanic Isolator whose characteristics do not exceed U_0 : 28v, I_0 : 93mA, P_0 : 660mW, C_0 : 0, L_0 : 0. The minimum value of U_0 should not drop below 23.6v and the minimum value of I_0 should not drop below 50mA.
Cable entries:	3xM20x1,5 (cable glands not included)






IS-S-02 INTRINSICALLY SAFE SOUNDER



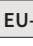
Zones 0, 1, 2, 20, 21, 22

Full catalogue available on our website: www.inpratex.com

TECHNICAL SPECIFICATIONS Z728

Marking:	 I (M1) [Ex ia Ma] I  II (1)G [Ex ia Ga] IIC  II (1)D [Ex ia Da] IIIC
Certificate:	EU-Type Examination Certificate
Nominal resistance:	D300 Ω
Series resistance:	max. 327 Ω
Fuse rating:	50 mA
Working voltage - Supply loop:	max. 26.9 V
Ambient temperature:	-20°C ... 60 °C
Mechanical specifications	
Degree of protection:	IP20
Connection:	Screw terminals
Weight:	approx. 150 g
Dimensions:	12,5 x 115 x 116 mm
Mounting:	On 35 mm DIN mounting rail acc. to EN 60715:2001
Data for application in connection with hazardous areas	
Voltage:	U_o 28 V
Current:	I_o 93 mA
Power:	P_o 650 mW
Input maximum safe voltage:	U_m 250 V

TECHNICAL SPECIFICATIONS KFDO-SD2-Ex2.1045

Marking:	 I (M1) [Ex ia Ma] I  II (1)G [Ex ia Ga] IIC  II (1)D [Ex ia Da] IIIC
Certificate:	EU-Type Examination Certificate
Signal type:	Digital Output
Safety Integrity Level (SIL):	SIL 3
Supply rated voltage:	U_r 20 ... 35 V DC loop powered
Supply power dissipation:	< 1.05 W (\leq 30 V) per channel
Ambient temperature:	-20°C ... 60 °C
Mechanical specifications	
Degree of protection:	IP20
Connection:	Screw terminals
Weight:	approx. 100 g
Dimensions:	20 x 107 x 115 mm
Mounting:	On 35 mm DIN mounting rail acc. to EN 60715:2001
Data for application in connection with hazardous areas	
Voltage:	U_o 25.2 V
Current:	I_o 93 mA
Power:	P_o 590 mW
Input maximum safe voltage:	U_m 250 V (Attention! The rated voltage can be lower)