

# CONFIGURABLE EX E GRP JUNCTION BOXES

Zones 1, 2, 21, 22

Full catalogue available on our website: [www.inpratex.com](http://www.inpratex.com)

## ATEX JUNCTION BOXES

ZONES 1, 2 (gas) & 21, 22 (dust)



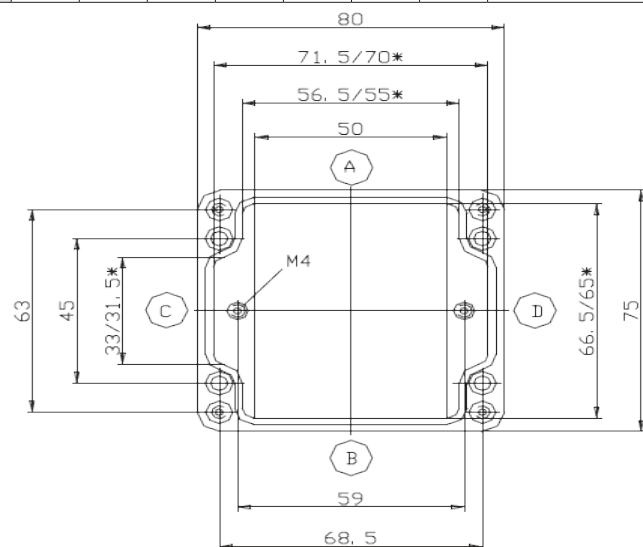
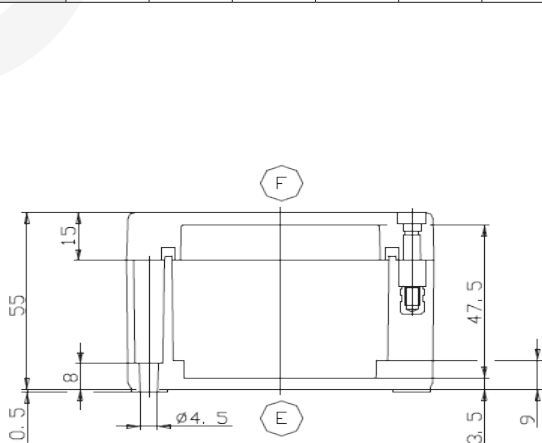
EU-Type Examination Certificate

**We don't supply empty "U" certified enclosures. These terminal boxes must be configured with the number of terminals and cable entries.**

GRP (glass-reinforced polyester) junction box range, suitable for use within ATEX-rated Ex e Increased Safety areas. Supplied fully assembled and certified, please confirm your terminal and gland size/s and quantity requirements when enquiring.

### ITEM REFERENCES

Type:	Max. number of terminals:						Max. number of cable entries (plastic glands):							Item No.:	
	2,5 mm <sup>2</sup>	4 mm <sup>2</sup>	6 mm <sup>2</sup>	10 mm <sup>2</sup>	16 mm <sup>2</sup>	35 mm <sup>2</sup>	Size:	M16	M20	M25	M32	M40	M50		M63
Number:	7	0	0	0	0	0	A	2	2	1	0	0	0	0	5A0201..xx*
							B	2	2	1	0	0	0	0	
							C	1	1	0	0	0	0	0	
							D	1	1	0	0	0	0	0	



\* The following should be attached to the reference of each box size:

1 - Type and number of terminals required (never exceed the maximum quantity shown in the table)

2 - Size and number of cable entries:

- For unarmoured cable, it may never exceed the maximum quantity shown in the table.

- If armoured cable is used, the number of entries must be defined in each case.

The value 0 indicates that this type of terminal / cable entry size can't be used in this box model

### TECHNICAL SPECIFICATIONS

Marking:	II 2G Ex e II T4/T6 Gb II 2G Ex ia IIC T6 Gb II 2D Ex tD A21 IP65 T80°C
Certificate:	EU-Type Examination Certificate
Operating temperature:	-50°C to +60°C
Dimensions:	80x75x55 mm
Ingress protection:	IP65
Weight:	230 g (empty)
Colour:	RAL 9005



# CONFIGURABLE EX E GRP JUNCTION BOXES

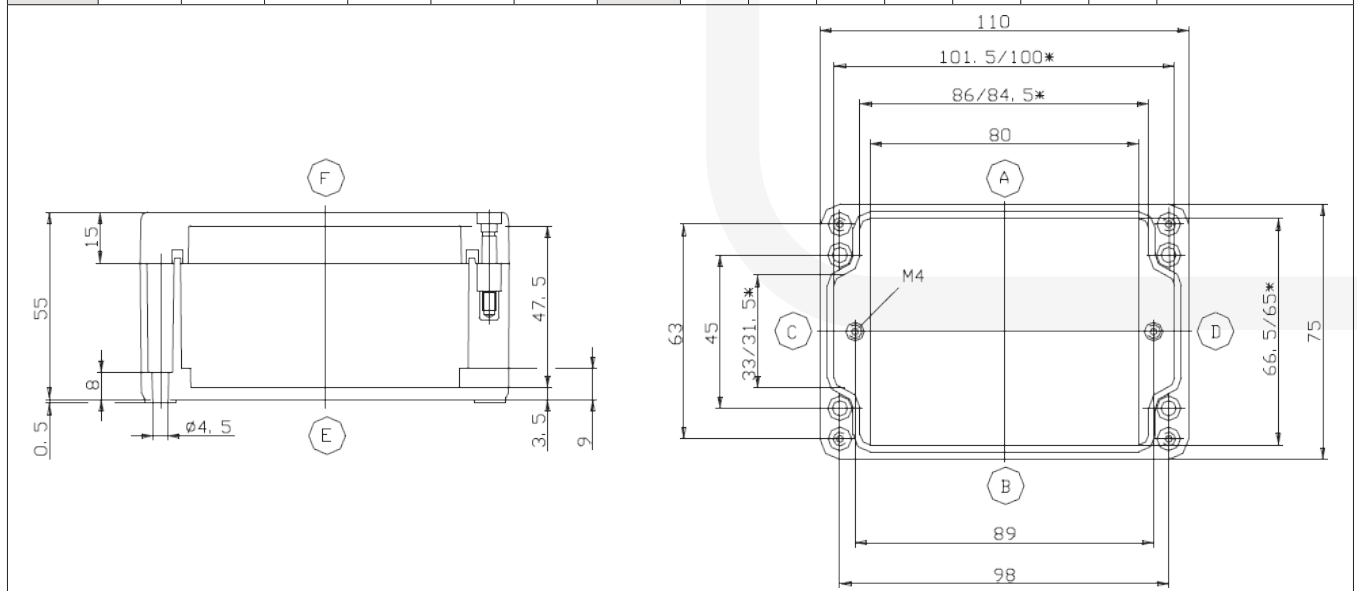
Zones 1, 2, 21, 22

Full catalogue available on our website: [www.inpratex.com](http://www.inpratex.com)

The number of cable entries and the number of terminals is configurable according to the customer's needs. The boxes are supplied finished, with the necessary terminals and with the cable entries already made.

**We don't supply empty "U" certified enclosures. These terminal boxes must be configured with the number of terminals and cable entries.**




ITEM REFERENCES															
Type:	Max. number of terminals:						Max. number of cable entries (plastic glands):							Item No.:	
	2,5 mm <sup>2</sup>	4 mm <sup>2</sup>	6 mm <sup>2</sup>	10 mm <sup>2</sup>	16 mm <sup>2</sup>	35 mm <sup>2</sup>	Size:	M16	M20	M25	M32	M40	M50		M63
Number:	13	0	0	0	0	0	A	3	3	2	0	0	0	0	5A0202..xx*
							B	3	3	2	0	0	0	0	
							C	1	1	0	0	0	0	0	
							D	1	1	0	0	0	0	0	



\* The following should be attached to the reference of each box size:

- 1 - Type and number of terminals required (never exceed the maximum quantity shown in the table)
- 2 - Size and number of cable entries:
  - For unarmoured cable, it may never exceed the maximum quantity shown in the table.
  - If armoured cable is used, the number of entries must be defined in each case.

The value 0 indicates that this type of terminal / cable entry size can't be used in this box model

TECHNICAL SPECIFICATIONS	
Marking:	 II 2G Ex e II T4/T6 Gb  II 2G Ex ia IIC T6 Gb  II 2D Ex tD A21 IP65 T80°C
Certificate:	EU-Type Examination Certificate
Operating temperature:	-50°C to +60°C
Dimensions:	110x75x55 mm
Ingress protection:	IP65
Weight:	295 g (empty)
Colour:	RAL 9005

# CONFIGURABLE EX E GRP JUNCTION BOXES

Zones 1, 2, 21, 22

Full catalogue available on our website: [www.inpratex.com](http://www.inpratex.com)

The number of cable entries and the number of terminals is configurable according to the customer's needs. The boxes are supplied finished, with the necessary terminals and with the cable entries already made.

**We don't supply empty "U" certified enclosures. These terminal boxes must be configured with the number of terminals and cable entries.**

4

CONTROL & CONNECTION EQUIPMENT

ITEM REFERENCES															
Max. number of terminals:							Max. number of cable entries (plastic glands):							Item No.:	
Type:	2,5 mm <sup>2</sup>	4 mm <sup>2</sup>	6 mm <sup>2</sup>	10 mm <sup>2</sup>	16 mm <sup>2</sup>	35 mm <sup>2</sup>	Size:	M16	M20	M25	M32	M40	M50	M63	5A0203..xx*
Number:	22	0	0	0	0	0	A	5	4	3	0	0	0	0	
							B	5	4	3	0	0	0	0	
							C	1	1	0	0	0	0	0	
							D	1	1	0	0	0	0	0	

\* The following should be attached to the reference of each box size:  
 1 - Type and number of terminals required (never exceed the maximum quantity shown in the table)  
 2 - Size and number of cable entries:  
 - For unarmoured cable, it may never exceed the maximum quantity shown in the table.  
 - If armoured cable is used, the number of entries must be defined in each case.  
 The value 0 indicates that this type of terminal / cable entry size can't be used in this box model

TECHNICAL SPECIFICATIONS	
Marking:	II 2G Ex e II T4/T6 Gb II 2G Ex ia IIC T6 Gb II 2D Ex tD A21 IP65 T80°C
Certificate:	EU-Type Examination Certificate
Operating temperature:	-50°C to +60°C
Dimensions:	160x75x55 mm
Ingress protection:	IP65
Weight:	405 g (empty)
Colour:	RAL 9005

# CONFIGURABLE EX E GRP JUNCTION BOXES

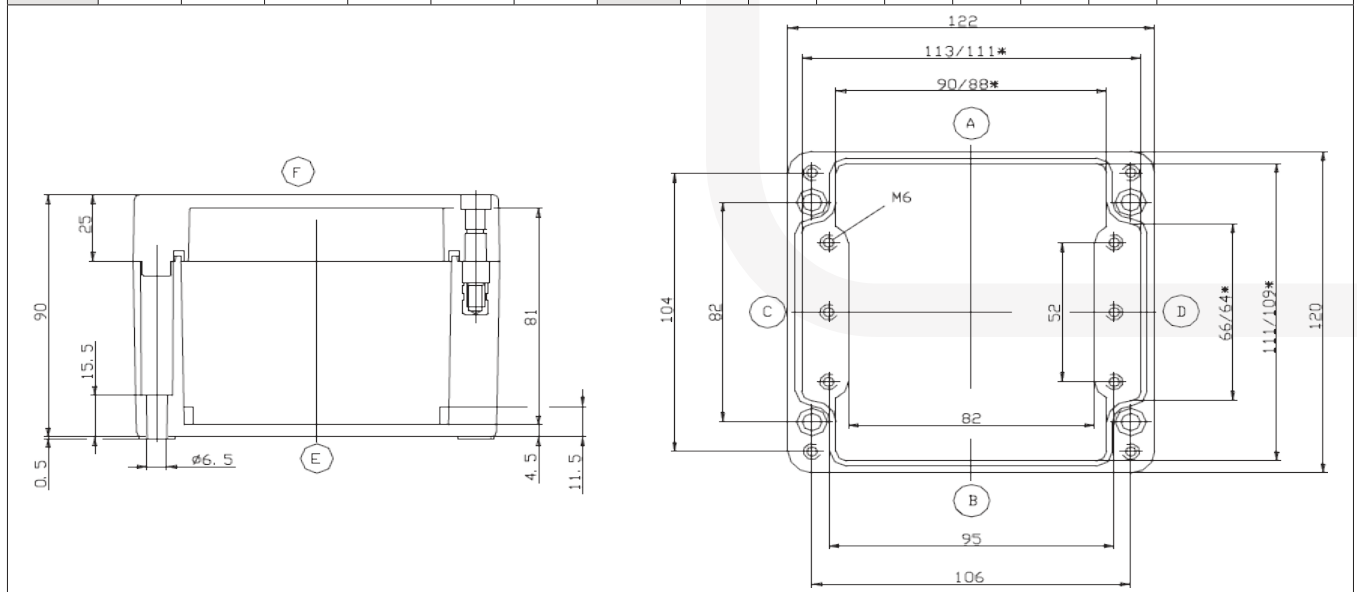
Zones 1, 2, 21, 22

Full catalogue available on our website: [www.inpratex.com](http://www.inpratex.com)

The number of cable entries and the number of terminals is configurable according to the customer's needs. The boxes are supplied finished, with the necessary terminals and with the cable entries already made.

**We don't supply empty "U" certified enclosures. These terminal boxes must be configured with the number of terminals and cable entries.**

ITEM REFERENCES															
Type:	Max. number of terminals:						Max. number of cable entries (plastic glands):							Item No.:	
	2,5 mm <sup>2</sup>	4 mm <sup>2</sup>	6 mm <sup>2</sup>	10 mm <sup>2</sup>	16 mm <sup>2</sup>	35 mm <sup>2</sup>	Size:	M16	M20	M25	M32	M40	M50		M63
Number:	16	13	10	6	0	0	A	5	4	3	2	1	0	0	5A0204...xxx*
							B	5	4	3	2	1	0	0	
							C	3	2	2	1	0	0	0	
							D	3	2	2	1	0	0	0	



\* The following should be attached to the reference of each box size:

- 1 - Type and number of terminals required (never exceed the maximum quantity shown in the table)
- 2 - Size and number of cable entries:
  - For unarmoured cable, it may never exceed the maximum quantity shown in the table.
  - If armoured cable is used, the number of entries must be defined in each case.

The value 0 indicates that this type of terminal / cable entry size can't be used in this box model

TECHNICAL SPECIFICATIONS	
Marking:	
Certificate:	EU-Type Examination Certificate
Operating temperature:	-50°C to +60°C
Dimensions:	122x120x90 mm
Ingress protection:	IP65
Weight:	750 g (empty)
Colour:	RAL 9005

# CONFIGURABLE EX E GRP JUNCTION BOXES

Zones 1, 2, 21, 22

Full catalogue available on our website: [www.inpratex.com](http://www.inpratex.com)

The number of cable entries and the number of terminals is configurable according to the customer's needs. The boxes are supplied finished, with the necessary terminals and with the cable entries already made.

**We don't supply empty "U" certified enclosures. These terminal boxes must be configured with the number of terminals and cable entries.**

ITEM REFERENCES															
Max. number of terminals:							Max. number of cable entries (plastic glands):							Item No.:	
Type:	2,5 mm <sup>2</sup>	4 mm <sup>2</sup>	6 mm <sup>2</sup>	10 mm <sup>2</sup>	16 mm <sup>2</sup>	35 mm <sup>2</sup>	Size:	M16	M20	M25	M32	M40	M50	M63	5A0205..xx*
Number:	22	18	13	11	9	0	A	8	6	4	2	2	1	0	
							B	8	6	4	2	2	1	0	
							C	4	3	2	2	1	0	0	
							D	4	3	2	2	1	0	0	

\* The following should be attached to the reference of each box size:  
 1 - Type and number of terminals required (never exceed the maximum quantity shown in the table)  
 2 - Size and number of cable entries:  
 - For unarmoured cable, it may never exceed the maximum quantity shown in the table.  
 - If armoured cable is used, the number of entries must be defined in each case.  
 The value 0 indicates that this type of terminal / cable entry size can't be used in this box model

TECHNICAL SPECIFICATIONS	
Marking:	II 2G Ex e II T4/T6 Gb II 2G Ex ia IIC T6 Gb II 2D Ex tD A21 IP65 T80°C
Certificate:	EU-Type Examination Certificate
Operating temperature:	-50°C to +60°C
Dimensions:	160x160x91 mm
Ingress protection:	IP65
Weight:	1130 g (empty)
Colour:	RAL 9005

# CONFIGURABLE EX E GRP JUNCTION BOXES

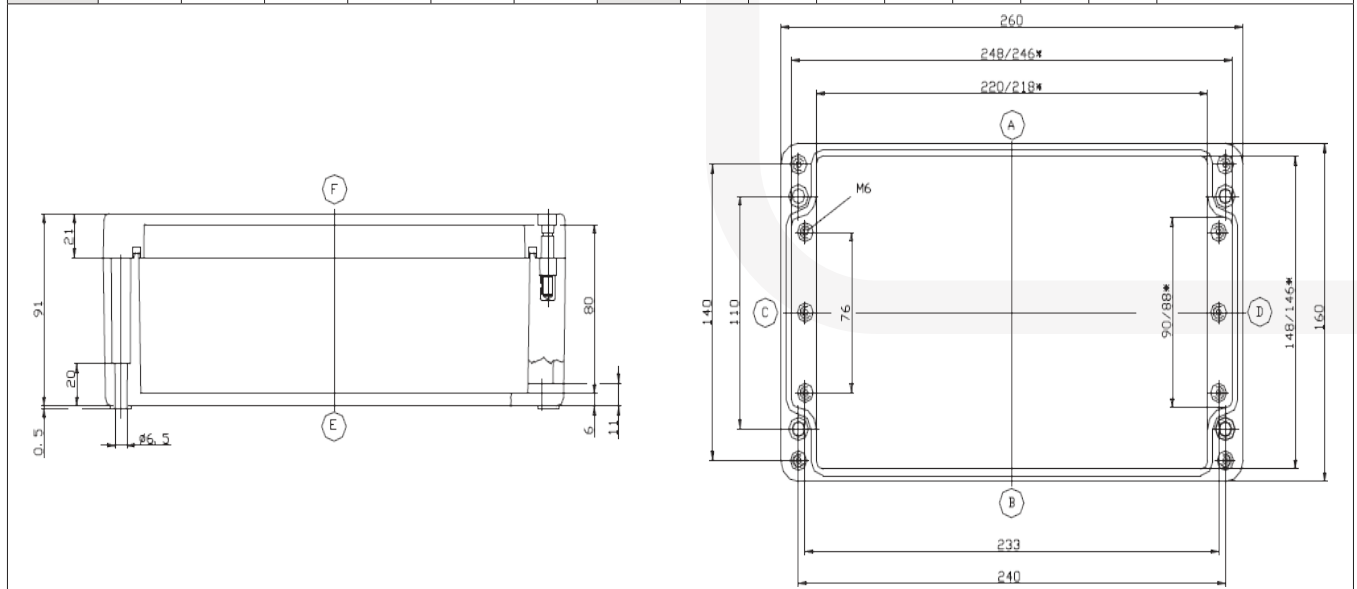
Zones 1, 2, 21, 22

Full catalogue available on our website: [www.inpratex.com](http://www.inpratex.com)




The number of cable entries and the number of terminals is configurable according to the customer's needs. The boxes are supplied finished, with the necessary terminals and with the cable entries already made.

**We don't supply empty "U" certified enclosures. These terminal boxes must be configured with the number of terminals and cable entries.**

ITEM REFERENCES														
Max. number of terminals:							Max. number of cable entries (plastic glands):							Item No.:
Type:	2,5 mm <sup>2</sup>	4 mm <sup>2</sup>	6 mm <sup>2</sup>	10 mm <sup>2</sup>	16 mm <sup>2</sup>	35 mm <sup>2</sup>	Size:	M16	M20	M25	M32	M40	M50	M63
Number:	42	35	26	21	17	0	A	15	12	8	4	3	3	0
							B	15	12	8	4	3	3	0
							C	4	3	2	2	1	0	0
							D	4	3	2	2	1	0	0
														5A0206..xx*



\* The following should be attached to the reference of each box size:  
 1 - Type and number of terminals required (never exceed the maximum quantity shown in the table)  
 2 - Size and number of cable entries:  
 - For unarmoured cable, it may never exceed the maximum quantity shown in the table.  
 - If armoured cable is used, the number of entries must be defined in each case.  
 The value 0 indicates that this type of terminal / cable entry size can't be used in this box model

TECHNICAL SPECIFICATIONS	
Marking:	 II 2G Ex e II T4/T6 Gb  II 2G Ex ia IIC T6 Gb  II 2D Ex tD A21 IP65 T80°C
Certificate:	EU-Type Examination Certificate
Operating temperature:	-50°C to +60°C
Dimensions:	260x160x91 mm
Ingress protection:	IP65
Weight:	1710 g (empty)
Colour:	RAL 9005

# CONFIGURABLE EX E GRP JUNCTION BOXES

Zones 1, 2, 21, 22

Full catalogue available on our website: [www.inpratex.com](http://www.inpratex.com)

The number of cable entries and the number of terminals is configurable according to the customer's needs. The boxes are supplied finished, with the necessary terminals and with the cable entries already made.

**We don't supply empty "U" certified enclosures. These terminal boxes must be configured with the number of terminals and cable entries.**

4

CONTROL & CONNECTION EQUIPMENT

ITEM REFERENCES														
Max. number of terminals:							Max. number of cable entries (plastic glands):							Item No.:
Type:	2,5 mm <sup>2</sup>	4 mm <sup>2</sup>	6 mm <sup>2</sup>	10 mm <sup>2</sup>	16 mm <sup>2</sup>	35 mm <sup>2</sup>	Size:	M16	M20	M25	M32	M40	M50	M63
Number:	62	51	38	31	25	0	A	23	18	11	7	5	4	0
							B	23	18	11	7	5	4	0
							C	4	3	2	2	1	0	0
							D	4	3	2	2	1	0	0
														5A0207...xx*

\* The following should be attached to the reference of each box size:  
 1 - Type and number of terminals required (never exceed the maximum quantity shown in the table)  
 2 - Size and number of cable entries:  
 - For unarmoured cable, it may never exceed the maximum quantity shown in the table.  
 - If armoured cable is used, the number of entries must be defined in each case.  
 The value 0 indicates that this type of terminal / cable entry size can't be used in this box model

TECHNICAL SPECIFICATIONS	
Marking:	II 2G Ex e II T4/T6 Gb II 2G Ex ia IIC T6 Gb II 2D Ex tD A21 IP65 T80°C
Certificate:	EU-Type Examination Certificate
Operating temperature:	-50°C to +60°C
Dimensions:	360x160x91 mm
Ingress protection:	IP65
Weight:	2150 g (empty)
Colour:	RAL 9005

# CONFIGURABLE EX E GRP JUNCTION BOXES

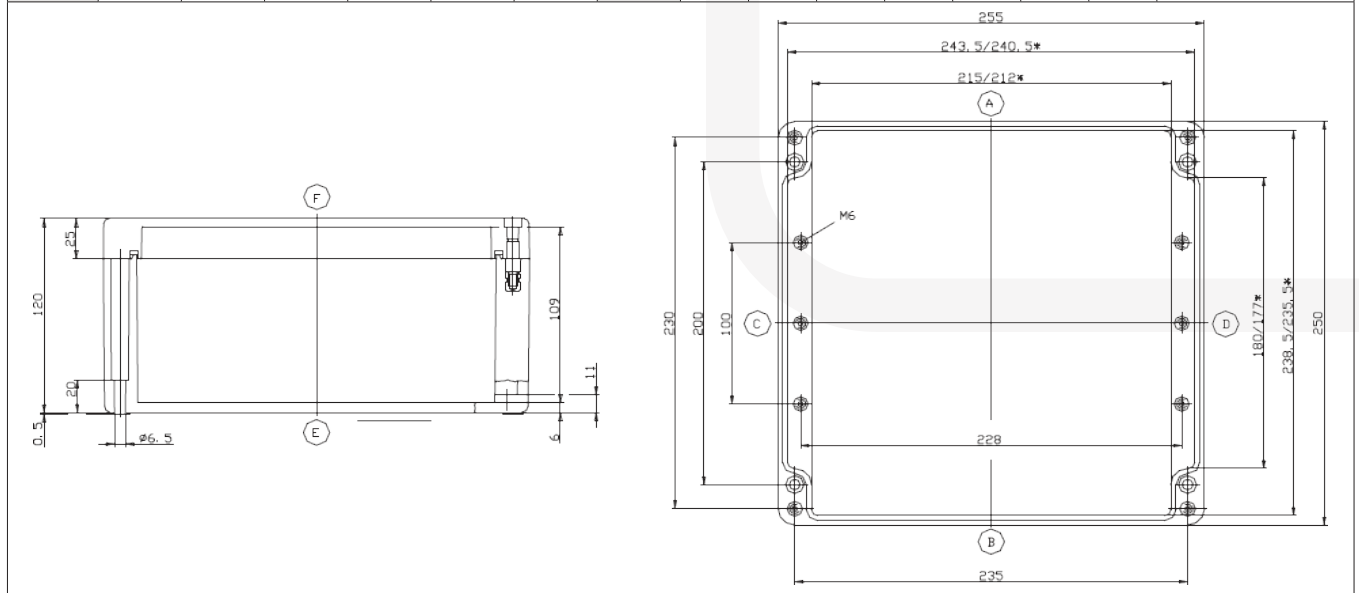
Zones 1, 2, 21, 22

Full catalogue available on our website: [www.inpratex.com](http://www.inpratex.com)




The number of cable entries and the number of terminals is configurable according to the customer's needs. The boxes are supplied finished, with the necessary terminals and with the cable entries already made.

**We don't supply empty "U" certified enclosures. These terminal boxes must be configured with the number of terminals and cable entries.**

ITEM REFERENCES															
Type:	Max. number of terminals:						Max. number of cable entries (plastic glands):							Item No.:	
	2,5 mm <sup>2</sup>	4 mm <sup>2</sup>	6 mm <sup>2</sup>	10 mm <sup>2</sup>	16 mm <sup>2</sup>	35 mm <sup>2</sup>	Size:	M16	M20	M25	M32	M40	M50		M63
Number:	80	66	25	20	16	12	A	23	17	11	7	4	3	3	5A0208..xx*
							B	23	17	11	7	4	3	3	
							C	14	10	8	4	3	2	2	
							D	14	10	8	4	3	2	2	



\* The following should be attached to the reference of each box size:  
 1 - Type and number of terminals required (never exceed the maximum quantity shown in the table)  
 2 - Size and number of cable entries:  
 - For unarmoured cable, it may never exceed the maximum quantity shown in the table.  
 - If armoured cable is used, the number of entries must be defined in each case.  
 The value 0 indicates that this type of terminal / cable entry size can't be used in this box model

TECHNICAL SPECIFICATIONS	
Marking:	 II 2G Ex e II T4/T6 Gb  II 2G Ex ia IIC T6 Gb  II 2D Ex tD A21 IP65 T80°C
Certificate:	EU-Type Examination Certificate
Operating temperature:	-50°C to +60°C
Dimensions:	255x250x120 mm
Ingress protection:	IP65
Weight:	2650 g (empty)
Colour:	RAL 9005



# CONFIGURABLE EX E GRP JUNCTION BOXES

Zones 1, 2, 21, 22

Full catalogue available on our website: [www.inpratex.com](http://www.inpratex.com)

The number of cable entries and the number of terminals is configurable according to the customer's needs. The boxes are supplied finished, with the necessary terminals and with the cable entries already made.

**We don't supply empty "U" certified enclosures. These terminal boxes must be configured with the number of terminals and cable entries.**



ITEM REFERENCES															
Max. number of terminals:							Max. number of cable entries (plastic glands):							Item No.:	
Type:	2,5 mm <sup>2</sup>	4 mm <sup>2</sup>	6 mm <sup>2</sup>	10 mm <sup>2</sup>	16 mm <sup>2</sup>	35 mm <sup>2</sup>	Size:	M16	M20	M25	M32	M40	M50	M63	5A0209..xx*
Number:	140	116	43	35	29	21	A	38	27	17	13	6	5	4	
							B	38	27	17	13	6	5	4	
							C	14	10	8	4	3	2	2	
							D	14	10	8	4	3	2	2	

\* The following should be attached to the reference of each box size:  
 1 - Type and number of terminals required (never exceed the maximum quantity shown in the table)  
 2 - Size and number of cable entries:  
 - For unarmoured cable, it may never exceed the maximum quantity shown in the table.  
 - If armoured cable is used, the number of entries must be defined in each case.  
 The value 0 indicates that this type of terminal / cable entry size can't be used in this box model

TECHNICAL SPECIFICATIONS	
Marking:	
Certificate:	EU-Type Examination Certificate
Operating temperature:	-50°C to +60°C
Dimensions:	400x250x120 mm
Ingress protection:	IP65
Weight:	3650 g (empty)
Colour:	RAL 9005

# CONFIGURABLE EX E GRP JUNCTION BOXES

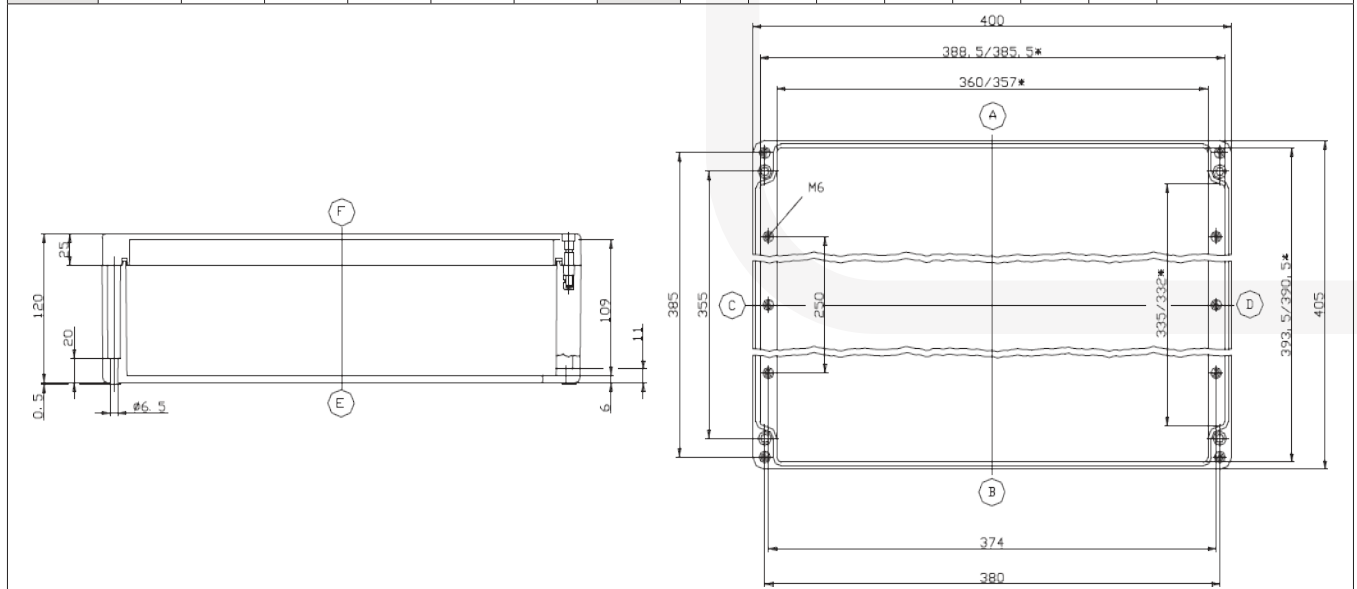
Zones 1, 2, 21, 22

Full catalogue available on our website: [www.inpratex.com](http://www.inpratex.com)




The number of cable entries and the number of terminals is configurable according to the customer's needs. The boxes are supplied finished, with the necessary terminals and with the cable entries already made.

**We don't supply empty "U" certified enclosures. These terminal boxes must be configured with the number of terminals and cable entries.**

ITEM REFERENCES														
Max. number of terminals:							Max. number of cable entries (plastic glands):							Item No.:
Type:	2,5 mm <sup>2</sup>	4 mm <sup>2</sup>	6 mm <sup>2</sup>	10 mm <sup>2</sup>	16 mm <sup>2</sup>	35 mm <sup>2</sup>	Size:	M16	M20	M25	M32	M40	M50	M63
Number:	210	174	86	35	29	21	A	38	27	17	13	6	5	4
							B	38	27	17	13	6	5	4
							C	29	20	15	7	5	4	4
							D	29	20	15	7	5	4	4
5A0210..xx*														



\* The following should be attached to the reference of each box size:  
 1 - Type and number of terminals required (never exceed the maximum quantity shown in the table)  
 2 - Size and number of cable entries:  
 - For unarmoured cable, it may never exceed the maximum quantity shown in the table.  
 - If armoured cable is used, the number of entries must be defined in each case.  
 The value 0 indicates that this type of terminal / cable entry size can't be used in this box model

TECHNICAL SPECIFICATIONS	
Marking:	 II 2G Ex e II T4/T6 Gb  II 2G Ex ia IIC T6 Gb  II 2D Ex tD A21 IP65 T80°C
Certificate:	EU-Type Examination Certificate
Operating temperature:	-50°C to +60°C
Dimensions:	400x405x120 mm
Ingress protection:	IP65
Weight:	5580 g (empty)
Colour:	RAL 9005

# CONFIGURABLE EX E GRP JUNCTION BOXES

Zones 1, 2, 21, 22

Full catalogue available on our website: [www.inpratex.com](http://www.inpratex.com)

The number of cable entries and the number of terminals is configurable according to the customer's needs. The boxes are supplied finished, with the necessary terminals and with the cable entries already made.

**We don't supply empty "U" certified enclosures. These terminal boxes must be configured with the number of terminals and cable entries.**

4

CONTROL & CONNECTION EQUIPMENT

ITEM REFERENCES															
Max. number of terminals:							Max. number of cable entries (plastic glands):							Item No.:	
Type:	2,5 mm <sup>2</sup>	4 mm <sup>2</sup>	6 mm <sup>2</sup>	10 mm <sup>2</sup>	16 mm <sup>2</sup>	35 mm <sup>2</sup>	Size:	M16	M20	M25	M32	M40	M50	M63	5A0211..xx*
Number:	220	182	68	55	45	34	A	84	52	24	18	10	6	4	
							B	84	52	24	18	10	6	4	
							C	14	10	8	4	3	2	2	
							D	14	10	8	4	3	2	2	

\* The following should be attached to the reference of each box size:  
 1 - Type and number of terminals required (never exceed the maximum quantity shown in the table)  
 2 - Size and number of cable entries:  
 - For unarmoured cable, it may never exceed the maximum quantity shown in the table.  
 - If armoured cable is used, the number of entries must be defined in each case.  
 The value 0 indicates that this type of terminal / cable entry size can't be used in this box model

TECHNICAL SPECIFICATIONS	
Marking:	II 2G Ex e II T4/T6 Gb II 2G Ex ia IIC T6 Gb II 2D Ex tD A21 IP65 T80°C
Certificate:	EU-Type Examination Certificate
Operating temperature:	-50°C to +60°C
Dimensions:	600x250x120 mm
Ingress protection:	IP65
Weight:	5380 g (empty)
Colour:	RAL 9005