

# EX D ENCLOSURES

Zones 1, 2, 21, 22

Full catalogue available on our website: [www.inpratex.com](http://www.inpratex.com)

## Ex d ENCLOSURES

ZONES 1, 2 (gas) & 21, 22 (dust)

Ex d explosion-proof enclosures made of aluminium light alloy for the installation of non-ATEX electrical equipment in hazardous areas. Excellent corrosion resistance.



EU-Type Examination Certificate

Painting: Epoxy RAL 7000

Internal anti-condense painting RAL 2004.

External screws in Stainless Steel.

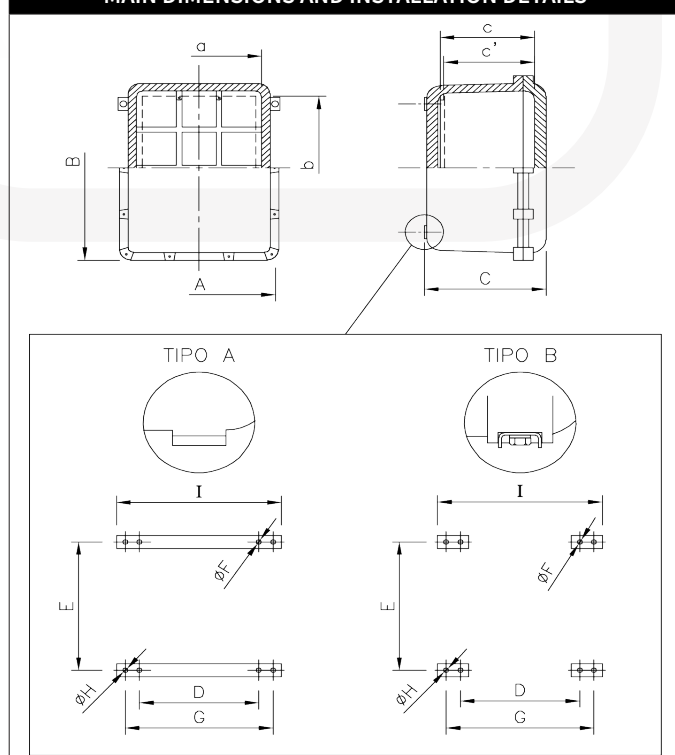
Fixing brackets and lugs in zinc plated steel.

**No empty enclosures supplied (ATEX U)**

### TECHNICAL SPECIFICATIONS

Marking:	II 2G Ex d IIB+H <sub>2</sub> T6-T3 Gb II 2D Ex tb IIIC T85°C-T200°C Db
Certificate:	EU-Type Examination Certificate
Material:	Aluminium
Operating temperature:	-25°C to +40°C
Ingress protection:	IP66
Cable entries:	Metric   NPT

### MAIN DIMENSIONS AND INSTALLATION DETAILS



Custom-made Ex d enclosures according to the diameter, quantity and position of the cable entries or the type and quantity of accessories on the cover (push buttons, signal lights, levers, emergency mushrooms).

Possibility of manufacturing with rectangular or circular window in tempered glass, with internal or external frames, which facilitate the visual inspection of the elements installed inside.

Operating temperature range from -50°C to +60°C on request.

Standard delivery with RAL 7000 epoxy painting and RAL 2004 anti-condensation internal coating. Possibility of supply with finishes according to customer requirements.

Suitable for:

- Connection boards
- Control boxes
- Measurement and control instrumentation
- Installation of electrical equipment (fuses, relays, disconnectors, transformers, etc.)
- Installation of electronic equipment

# EX D ENCLOSURES

Zones 1, 2, 21, 22

Full catalogue available on our website: [www.inpratex.com](http://www.inpratex.com)

## ITEM REFERENCES

Model:	External dimensions (mm):			Internal dimensions (mm):				Installation template (mm):						Weight (kg):	
	A	B	C	a	b	c	c'	Type	D	E	F	G	H		I
CCF 0G	150	150	127	93	93	96	94	A	104	60	M6	140	7	160	3,2
CCF 1G	150	200	127	93	143	96	94	A	104	110	M6	140	7	160	4,1
CCF 2G	200	250	150	140	190	124	122	A	154	160	M6	190	7	210	6,8
CCF 3G	250	300	150	175	225	117	112	A	185	180	M6	230	9	255	10,6
CCF 3AG	250	300	200	175	225	167	162	A	185	180	M6	230	9	255	11,9
CCF 4G	250	350	150	175	275	117	112	A	185	230	M6	230	9	255	12,0
CCF 4AG	250	350	200	175	275	167	162	A	185	230	M6	230	9	255	13,3
CCF 5G	300	400	200	218	318	164	159	A	225	275	M8	275	9	300	18,0
CCF5AG	300	400	250	218	318	214	209	A	225	275	M8	275	9	300	20,0
CCF 6G	300	450	200	218	368	164	159	A	225	325	M8	275	9	300	20,0
CCF 6AG	300	450	250	218	368	214	209	A	225	325	M8	275	9	300	22,5
CCF 7G	400	500	200	305	405	152	150	B	315	350	M8	370	9	400	31,0
CCF 7AG	400	500	250	305	405	202	200	B	315	350	M8	370	9	400	34,0
CCF 8G	350	550	200	255	455	152	150	A	265	400	M10	320	11	350	31,0
CCF 8AG	350	550	250	255	455	200	200	A	265	400	M10	320	11	350	34,0
CCF 9G	400	600	200	300	500	145	143	A	315	450	M10	370	11	400	38,0
CCF 9AG	400	600	250	300	500	195	193	A	315	450	M10	370	11	400	43,0
CCF 10G	450	650	200	356	548	145	141	B	360	500	M10	420	11	450	49,0
CCF 10AG	450	650	250	356	548	195	191	B	360	500	M10	420	11	450	55,0
CCF 10BG	450	650	300	356	548	245	241	B	360	500	M10	420	11	450	61,5
CCF 11G	500	700	250	386	586	194	183	B	395	520	M10	465	13	500	68,0
CCF 11AG	500	700	300	386	586	244	233	B	395	520	M10	465	13	500	76,0
CCF 11BG	500	700	350	386	586	294	283	B	395	520	M10	465	13	500	84,0
CCF 12G	550	750	250	436	636	190	180	B	445	570	M12	515	13	550	82,0
CCF 12AG	550	750	300	436	636	240	230	B	445	570	M12	515	13	550	90,0
CCF 12BG	550	750	350	436	636	290	280	B	445	570	M12	515	13	550	98,0
CCF 13G	200	600	140	120	520	105	100	A	135	470	M6	180	9	205	15,5
CCF 14G	200	750	175	140	670	130	125	A	150	610	M8	200	9	225	24,0
CCF 16G	670	920	330	550	800	245	240	A	560	650	M16	660	16	700	134,0
CCF 16AG	670	920	390	550	800	305	300	A	560	650	M16	660	16	700	145,0
CCF 16BG	670	920	450	550	800	365	360	A	560	650	M16	660	16	700	162,0
CCF 20BG	450	450	470	356	356	405	398	A	360	300	M10	420	11	450	51,0

## EXAMPLES

