

# SWITCHES SERIE EFS

Zones 1, 2, 21, 22

Full catalogue available on our website: [www.inpratex.com](http://www.inpratex.com)



## ATEX SWITCHES

## ZONES 1, 2 (gas) & 21, 22 (dust)



3 or 4-pole ATEX certified switches suitable for installation in explosive atmospheres.

Manufactured in light aluminum alloy.

Suitable for currents up to 25A, 32A, 40A or 63A and voltages up to 690 VAC / 660 VDC.



EU-Type Examination Certificate

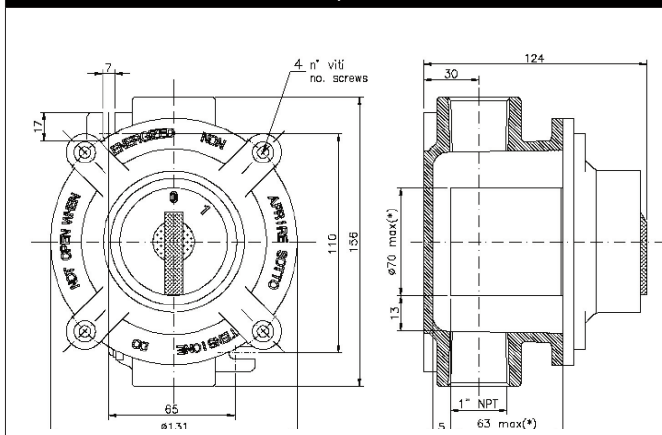
### ITEM REFERENCES

Designation:	Contacts:	I <sub>e</sub> /AC1=I <sub>th2</sub>	kW AC3 (380-440V)	Weight:	Item No.:
EFS 325	3 poles	25A	5,5 kW	1300 g	3G0201
EFS 425	4 poles	25A	5,5 kW	1300 g	3G0202
EFS 332	3 poles	32A	7,5 kW	1300 g	3G0203
EFS 432	4 poles	32A	7,5 kW	1300 g	3G0204
EFS 340	3 poles	40A	15 kW	2300 g	3G0301
EFS 440	4 poles	40A	11 kW	2300 g	3G0302
EFS 363	3 poles	63A	22 kW	2300 g	3G0303
EFS 463	4 poles	63A	22 kW	2300 g	3G0304

### TECHNICAL SPECIFICATIONS

Marking:	II 2G Ex d IIB T6-T4 Gb (IIC version: on request) II 2D Ex tb IIIC T85°C-T135°C Db
Certificate:	EU-Type Examination Certificate
Material:	Aluminium (RAL 7000)
Operating temperature:	-20°C to +40°C
Ingress protection:	IP66 (IIB version)   IP66/67 (IIC version)
Cable entries:	25/32A - 2x1" NPT (cable glands not included) 40/63A - 2x1.1/2" NPT (cable glands not included)

#### 25A / 32A



#### 40A / 63A

