

BDD95 SERIES LED LIGHTINGS

Zones 1, 2, 21, 22

Full catalogue available on our website: www.inpratex.com

1
LIGHTING

ATEX LIGHTING FIXTURES

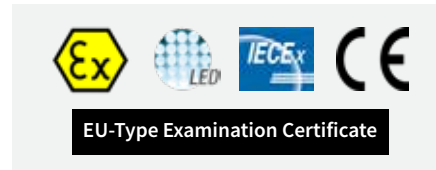
ZONES 1, 2 (gas) & 21, 22 (dust)



Explosion-proof LED lighting certified for hazardous locations. Can be used as a floodlight or as a suspended light fixture.

Copper-free aluminium cover, powder coated surface (yellow RAL 1021). Toughened glass cover, stands 4J impact.

Different mounting methods (bracket type or hook type).



ITEM REFERENCES

Designation:	Lamp:	Luminous flux:	Mounting methods:	Weight:	Item No.:
BDD95-90-60K	60 W	6730 lm	Bracket	8,50 kg	1A3201
BDD95-90-90K	90 W	10120 lm	Bracket	8,50 kg	1A3202
BDD95-160-120K	120 W	13420 lm	Bracket	11,40 kg	1A3203
BDD95-160-160K	160 W	17930 lm	Bracket	11,40 kg	1A3204
BDD95-90-60D	60 W	6730 lm	Hook (carbon steel)	8,10 kg	1A3205
BDD95-90-90D	90 W	10120 lm	Hook (carbon steel)	8,10 kg	1A3206
BDD95-160-120D	120 W	13420 lm	Hook (carbon steel)	10,80 kg	1A3207
BDD95-160-160D	160 W	17930 lm	Hook (carbon steel)	10,80 kg	1A3208

TECHNICAL SPECIFICATIONS

Marking:

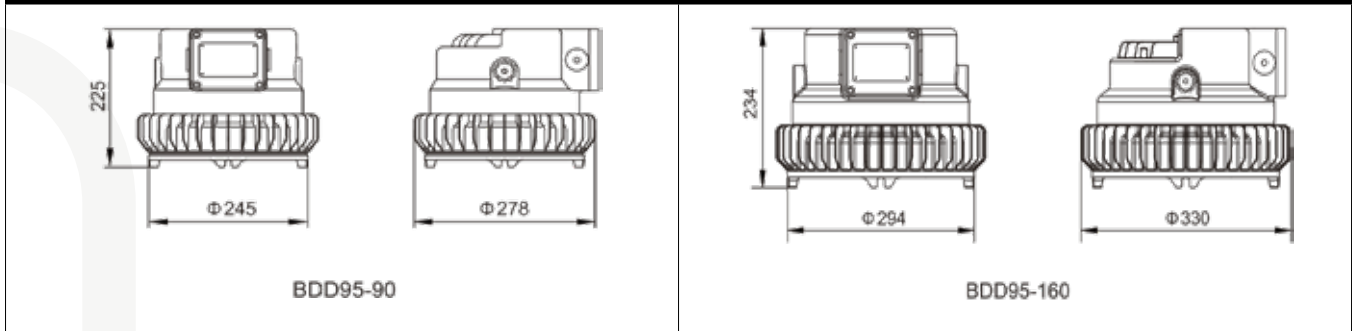
Power 60W	II 2G Ex db e IIC T67°C (T6) Gb; II 2D Ex tb IIIC T62°C Db IP66 (-40°C ≤ Ta ≤ +40°C) II 2G Ex db e IIC T82°C (T6) Gb; II 2D Ex tb IIIC T77°C Db IP66 (-40°C ≤ Ta ≤ +55°C)
Power 90W	II 2G Ex db e IIC T87°C (T5) Gb; II 2D Ex tb IIIC T82°C Db IP66 (-40°C ≤ Ta ≤ +40°C) II 2G Ex db e IIC T102°C (T4) Gb; II 2D Ex tb IIIC T97°C Db IP66 (-40°C ≤ Ta ≤ +55°C)
Power 120W	II 2G Ex db e IIC T72°C (T6) Gb; II 2D Ex tb IIIC T67°C Db IP66 (-40°C ≤ Ta ≤ +40°C) II 2G Ex db e IIC T87°C (T5) Gb; II 2D Ex tb IIIC T82°C Db IP66 (-40°C ≤ Ta ≤ +55°C)
Power 160W	II 2G Ex db e IIC T92°C (T5) Gb; II 2D Ex tb IIIC T87°C Db IP66 (-40°C ≤ Ta ≤ +40°C) II 2G Ex db e IIC T107°C (T4) Gb; II 2D Ex tb IIIC T102°C Db IP66 (-40°C ≤ Ta ≤ +55°C)
Certificate:	EU-Type Examination Certificate
Operating conditions:	Indoor / Outdoor
Housing:	Copper-free aluminium (yellow RAL1021)
Operating temperature:	-40°C to +55°C
Operating frequency:	50/60 Hz
Rated voltage:	100-300 V AC
Ingress protection:	IP66
Colour temperature:	5400-6500K
Connection:	3x1,5~4 mm ² (L+N+PE)
Earthing protection:	M5 (internal & external earth bolts)
Cable entries:	2xM25x1,5 Plugs

BDD95 SERIES LED LIGHTINGS

Zones 1, 2, 21, 22

Full catalogue available on our website: www.inpratex.com

DIMENSIONS



MOUNTING TYPE

