

# BAT86 SERIES LED FLOODLIGHTS

Zones 1, 2, 21, 22

Full catalogue available on our website: [www.inpratex.com](http://www.inpratex.com)

## ATEX FLOODLIGHTS

ZONES 1, 2 (gas) & 21, 22 (dust)

Explosion-proof LED floodlight for hazardous locations of Zones 1,2 (gas atmosphere) and 21,22 (dust atmosphere). Copper-free aluminium housing, powder coated surface (yellow RAL 1021).

Low-maintenance due to long service life is up to 100,000 operating hours.

Power factor  $\geq 0,95$

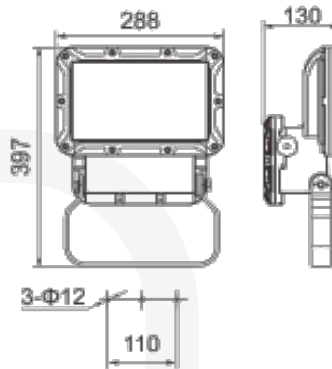


EU-Type Examination Certificate

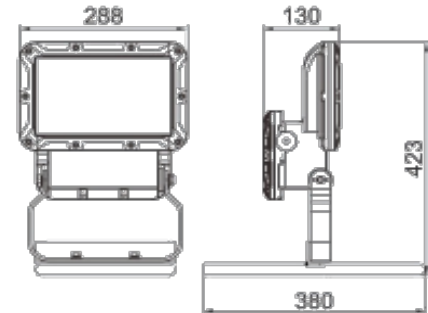
## BAT86 - 90 | FIXED TYPE OR BRACKET TYPE



G: fixed type



Y: bracket type



### ITEM REFERENCES BAT86-90-...

Designation:	Power:	Lumin. flux (lm):	Temperature class:		Weight:	Item No.:
			$-60^{\circ}\text{C} \leq \text{Ta} \leq +40^{\circ}\text{C}$	$-60^{\circ}\text{C} \leq \text{Ta} \leq +60^{\circ}\text{C}$		
BAT86-90-60G	60W	6500 lm	T6/T80°C	T4/T130°C	6,7 kg	1B0811
BAT86-90-90G	90W	9550 lm	T6/T80°C	T4/T130°C	6,7 kg	1B0812
BAT86-90-60Y	60W	6500 lm	T6/T80°C	T4/T130°C	8,5 kg	1B0813
BAT86-90-90Y	90W	9550 lm	T6/T80°C	T4/T130°C	8,5 kg	1B0814

### TECHNICAL SPECIFICATIONS

Marking:	II 2G Ex db IIB+H2 T6...T4 Gb II 2D Ex tb IIIC T80°C...T130°C Db
Certificate:	EU-Type Examination Certificate
Operating conditions:	Indoor / Outdoor
Housing:	Copper-free aluminium alloy, powder coated surface (yellow RAL1021). Exposed fastener in stainless steel
Cover:	Toughened glass, stands 4J impact
Operating frequency:	50/60 Hz
Rated voltage:	100~277V AC
LED:	LED module, Multiple LED, $R_a \geq 70$ , 5700K
Terminals:	3x1,5~4 mm <sup>2</sup> (L+N+PE)
Ingress protection:	IP66
Cable entries:	2xM25x1,5 (Plugs)

# BAT86 SERIES LED FLOODLIGHTS

Zones 1, 2, 21, 22

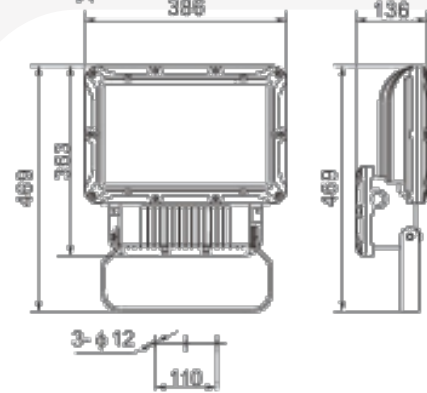
Full catalogue available on our website: [www.inpratex.com](http://www.inpratex.com)

1  
LIGHTING

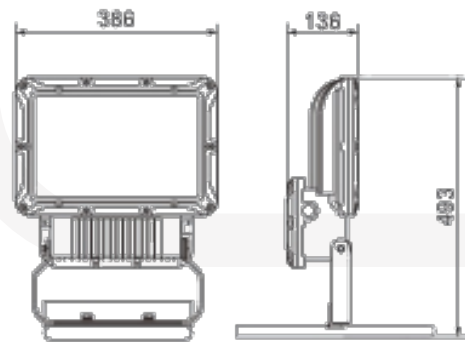
## BAT86 - 160 | FIXED TYPE OR BRACKET TYPE



G: fixed type



Y: bracket type



### ITEM REFERENCES BAT86-160-...

Designation:	Power:	Lumin. flux (lm):	Temperature class:		Weight:	Item No.:
			-60°C ≤ Ta ≤ +40°C	-60°C ≤ Ta ≤ +60°C		
BAT86-160-120G	120W	14400 lm	T6/T80°C	T5/T95°C	13 kg	1B0801
BAT86-160-160G	160W	19800 lm	T6/T80°C	T5/T95°C	13 kg	1B0802
BAT86-160-120Y	120W	14400 lm	T6/T80°C	T5/T95°C	14,8 kg	1B0803
BAT86-160-160Y	160W	19800 lm	T6/T80°C	T5/T95°C	14,8 kg	1B0804

### TECHNICAL SPECIFICATIONS

Marking:	 
Certificate:	EU-Type Examination Certificate
Operating conditions:	Indoor / Outdoor
Housing:	Copper-free aluminium alloy, powder coated surface (yellow RAL1021). Exposed fastener in stainless steel
Cover:	Toughened glass, stands 4J impact
Operating frequency:	50/60 Hz
Rated voltage:	100-277 V AC
LED:	LED module, Multiple LED, R <sub>a</sub> ≥ 70, 5700K
Terminals:	3x1,5~4 mm <sup>2</sup> (L+N+PE)
Ingress protection:	IP66
Cable entries:	2xM25x1,5 (Plugs)

# BAT86 SERIES LED FLOODLIGHTS

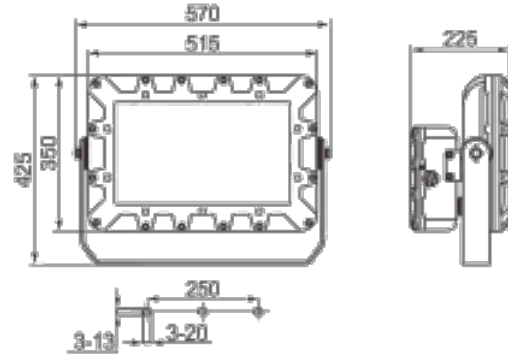
Zones 1, 2, 21, 22

Full catalogue available on our website: [www.inpratex.com](http://www.inpratex.com)

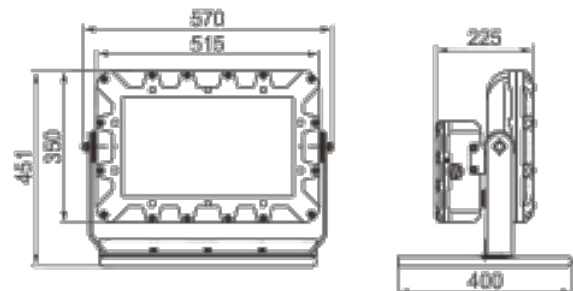
BAT86 - 240 | FIXED TYPE OR BRACKET TYPE



G: fixed type



Y: bracket type



## ITEM REFERENCES BAT86-240-...

Designation:	Power:	Lumin. flux (lm):	Temperature class:		Weight:	Item No.:
			-60°C ≤ Ta ≤ +40°C	-60°C ≤ Ta ≤ +60°C		
BAT86-240-200G	200W	23600 lm	T6/T80°C	T4/T130°C	28 kg	1B0806
BAT86-240-240G	240W	28400 lm	T6/T80°C	T4/T130°C	28 kg	1B0807
BAT86-240-200Y	200W	23600 lm	T6/T80°C	T4/T130°C	29,5 kg	1B0809
BAT86-240-240Y	240W	28400 lm	T6/T80°C	T4/T130°C	29,5 kg	1B0810

## TECHNICAL SPECIFICATIONS

Marking:	 
Certificate:	EU-Type Examination Certificate
Operating conditions:	Indoor / Outdoor
Housing:	Copper-free aluminium alloy, powder coated surface (yellow RAL1021). Exposed fastener in stainless steel
Cover:	Toughened glass, stands 4J impact
Operating frequency:	50/60 Hz
Rated voltage:	100~277V AC
LED:	LED module, Multiple LED, R <sub>a</sub> ≥ 70, 5700K
Terminals:	3x1,5~4 mm <sup>2</sup> (L+N+PE)
Ingress protection:	IP66
Cable entries:	2xM25x1,5 (Plugs)